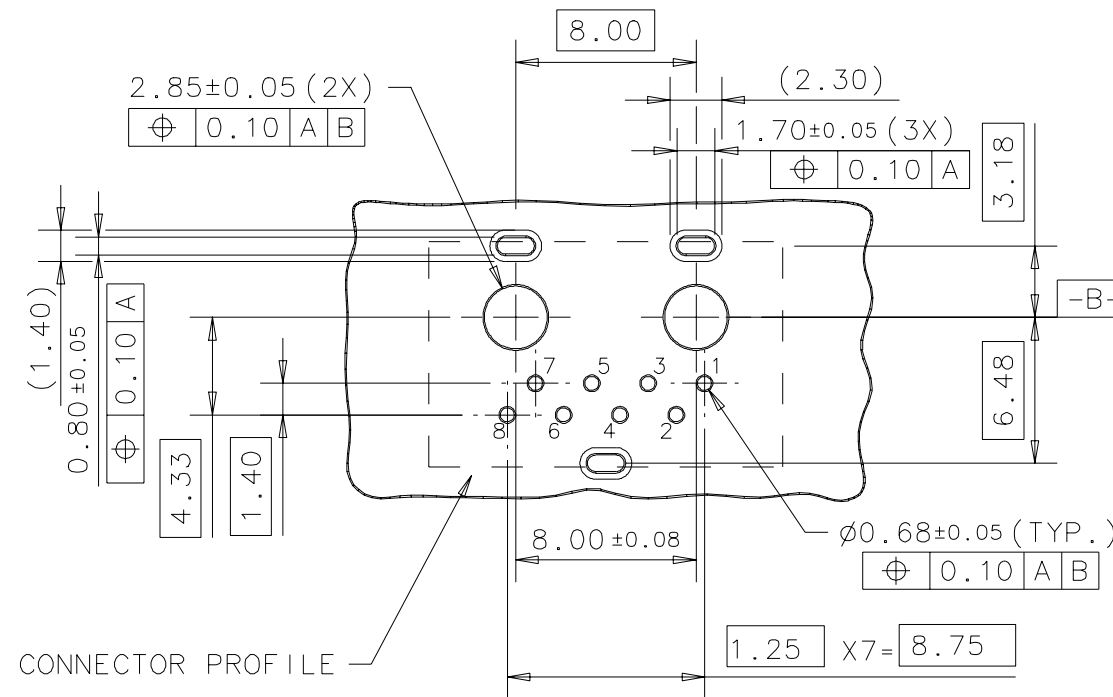
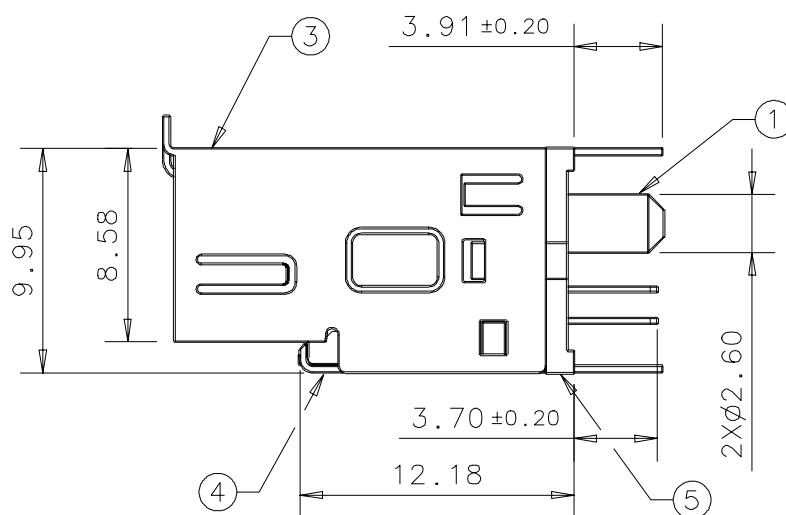
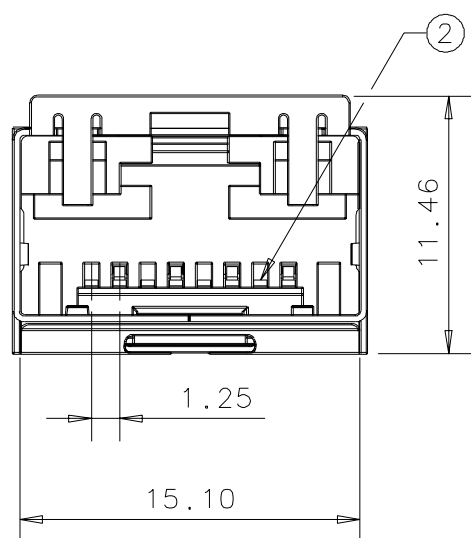
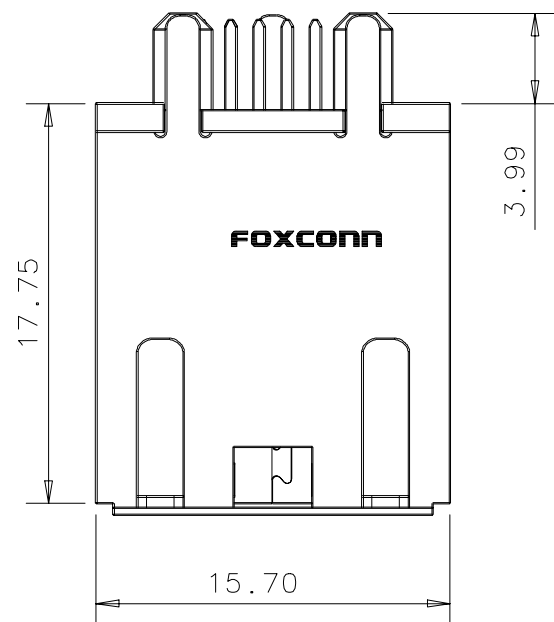
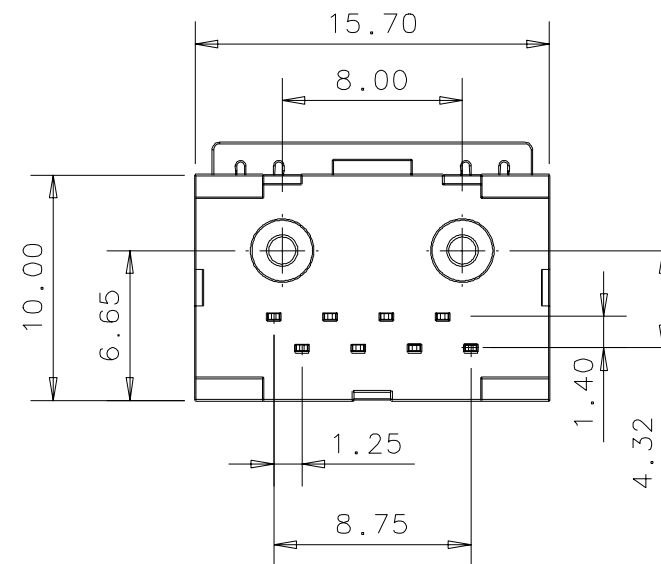


NOTES:

1. ELECTRICAL CHARACTERISTIC:
  - 1) CONTACT CURRENT RATING: 0.5 AMP.
  - 2) LOW LEVEL CONTACT RESISTANCE: 30 mOHMS MAX.
  - 3) INSULATION RESISTANCE: 1000MOHMS MIN.
  - 4) DIELECTRIC WITHSTANDING VOLTAGE: 500 VAC RMS.
  - 5) CHARACTERISTIC IMPEDANCE: 150 OHMS.
2. MECHANICAL CHARACTERISTIC:
  - 1) INSERTION FORCE: 10 LBS MAX.
  - 2) EXTRACTION FORCE: 1 LB MIN.
  - 3) DURABILITY: 500 CYCLES WITHOUT DEGRADING ELECTRICAL CHARACTERISTIC.
  - 4) OPERATING TEMPERATURE: -40°C TO +100°C.
  - 5) STORAGE TEMPERATURE: -40°C TO +85°C.



RECOMMENDED PCB LAYOUT  
(COMPONENT SIDE)  
THICKNESS: 3.43 MM



ITEM	DESCRIPTION	QTY	MATERIAL	TREATMENT
⑤	SPACER	1	THERMOPLASTIC, UL 94 V-0	MOLDED BLACK
④	BOTTOM SHELL	1	COPPER ALLOY	TIN/LEAD OVER NICKEL PLATING
③	TOP SHELL	1	COPPER ALLOY	TIN/LEAD OVER NICKEL PLATING
②	CONTACT	8	COPPER ALLOY	30u" GOLD PLATING AT CONTACT AREA, TIN/LEAD PLATING AT SOLDER TAIL, NICKEL PLATING 50u"~90u" OVERALL
①	HOUSING	1	THERMOPLASTIC, UL 94 V-0	MOLDED BLACK

X. ±	X. ° ±	UNITS mm	NAME (INTENDED USE)	<b>FOXCONN</b> HON HAI PRECISION IND. CO., LTD. TAIPEI, TAIWAN, R.O.C.
.X ± N/A	.X ° ±	MAT'L	HSSDC CONNECTOR 8POS. REC. TYPE	
.XX ± N/A	.XX ° ±	FINISH	PART NO. (INTENDED USE)	TITLE:
.XXX ±	.XXX ° ±		VFC01083-501	CUSTOMER DRAWING
THESE DRAWINGS AND SPECIFICATIONS ARE THE PROPERTY OF HON HAI PRECISION IND. CO., LTD. AND SHALL NOT BE REPRODUCED, COPIED OR USED IN ANY MANNER WITHOUT THE PRIOR WRITTEN CONSENT OF HON HAI PRECISION IND. CO., LTD.			APPD: Bruce wu11/2/01	DWG NO.: 333-0000-994
			CHKD: Snower.hu11/2/01	SCALE SHEET REV.
			DR: LEO HUANG 10/5/01	N/A 1/1 A