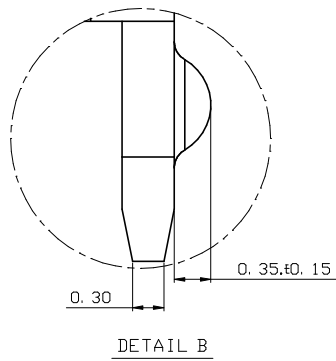
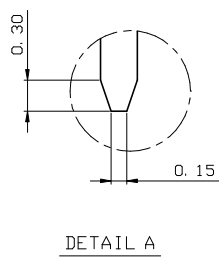
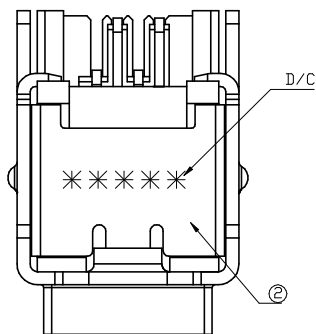


IDEAS GENERATED DRAWING,DON'T CHANGE BY HAND.

REV.	ECN. NO.	APPD.
A	HC-04-3591	Max Wu
B	HC-04-5803	Max Wu
C	HC-05-4984	Joe l

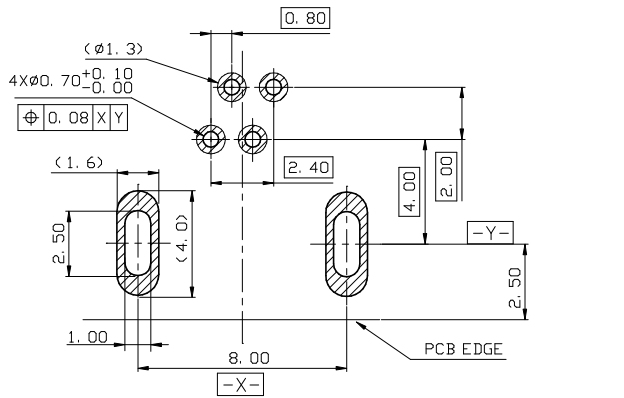
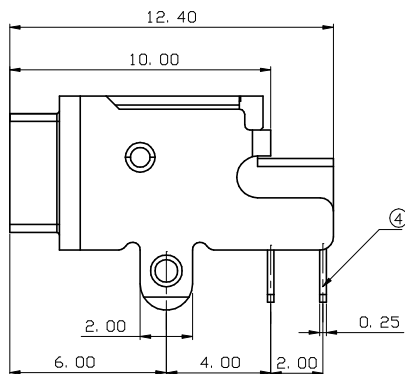
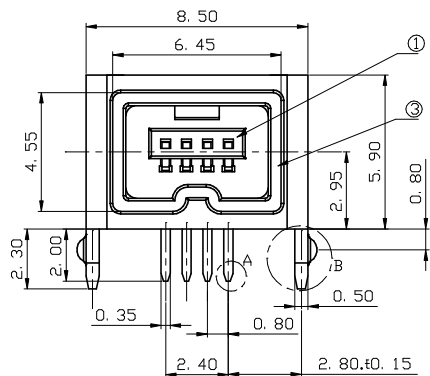


NOTE:

- ELECTRICAL CHARACTERISTICS:
  - CONTACT CURRENT RATING: 0.5 AMPERE MAX. .
  - CONTACT RESISTANCE: 50mOHMS MAX. INITIAL.
  - DIELECTRIC WITHSTANDING VOLTAGE: 100V AC RMS. .
  - INSULATION RESISTANCE: 100 MOHMS MIN. .
- MECHANICAL CHARACTERISTICS:
  - CONNECTOR MATING FORCES: 4.0 KgF MAX. .
  - CONNECTOR UNMATING FORCES: 0.5KgF TO 4.0 KgF.
  - DURABILITY: 2000 CYCLES MIN. .
  - OPERATING TEMPERATURE: -55°C TO+85°C.
- PRODUCT NUMBER:

U V 3 1 4 1 3- WS60D-\* F

- |                         |   |   |   |   |   |   |    |       |    |   |                     |
|-------------------------|---|---|---|---|---|---|----|-------|----|---|---------------------|
| SERIES PREFIX           | U | V | 3 | 1 | 4 | 1 | 3- | WS60D | -* | F | LEAD FREE CODE      |
| TERMINAL TOR TYPE       |   |   |   |   |   |   |    |       |    |   | F=LEAD FREE         |
| CONTACT DESIGN TYPE     |   |   |   |   |   |   |    |       |    |   | PACKAGE CODE        |
|                         |   |   |   |   |   |   |    |       |    |   | 4=TRAY              |
|                         |   |   |   |   |   |   |    |       |    |   | 7=TAPE&REEL         |
| NO. OF CONTACT POSITION |   |   |   |   |   |   |    |       |    |   | EXTENSION CODE      |
|                         |   |   |   |   |   |   |    |       |    |   | CONTACT PLATING     |
| SOLDER TYPE             |   |   |   |   |   |   |    |       |    |   | 3=30u" GOLD PLATING |
|                         |   |   |   |   |   |   |    |       |    |   |                     |
|                         |   |   |   |   |   |   |    |       |    |   |                     |
|                         |   |   |   |   |   |   |    |       |    |   |                     |



TOP VIEW (COMPONENT SIDE)  
RECOMMENDED PCB LAYOUT  
DEFAULT TOLERANCE: ±0.05

ITEM	DESCRIPTION	QTY	MATERIAL	FINISH
①	HOUSING	1	HI-TEMP THERMOPLASTIC UL94V-0	MOLDED COLOR BLACK
②	TOP SHELL	1	STAINLESS STEEL	
③	FRONT SHELL	1	STEEL ALLOY NICKEL PLATING.	
④	CONTACT	4	COPPER ALLOY	A: NICKEL UNDERPLATING OVERALL. B: TIN PLATING AT TAIL C: GOLD PLATING AT CONTACT AREA.

X. ±	X*. ± N/A	UNITS	mm	NAME (INTENDED USE)	FOXCONN
. X ± 0.38	. X* ±	MAT'L		IEEE 1394 CONNECTOR A TYPE	HON HAI PRECISION IND. CO., LTD. TAIPEI, TAIWAN, R. O. C.
. XX ± 0.25	. XX* ±			PART NO. (INTENDED USE)	TITLE:
. XXX ±	. XXX* ±	FINISH		UV31413-WS60D-*F	CUSTOMER DRAWING
THESE DRAWINGS AND SPECIFICATIONS ARE THE PROPERTY OF HON HAI PRECISION IND. CO., LTD. AND SHALL NOT BE REPRODUCED COPIED OR USED IN ANY MANNER WITHOUT THE PRIOR WRITTEN CONSENT OF HON HAI PRECISION IND. CO., LTD.				APPD: Max Wu 5/27/05	DWG NO.: 337-0000-1022
				CHKD: ZS Wang 5/27/05	
				DR: RL Chen 5/27/05	

SCALE	SHEET	REV.
N/A	1/1	C