

SOLIDWORKS GENERATED DRAWING;DON'T CHANGE BY HAND!

|      |               |         |
|------|---------------|---------|
| REV. | ECN. NO.      | APPD.   |
| A    | BC-15-0045419 | Davy Bu |
| AX1  | 20160503      | Davy Bu |

**SPECIFICATION:**

UL STANDARD

**1. ELECTRICAL CHARACTERISTICS:**

- 1-1. DIELECTRIC WITHSTANDING VOLTAGE: 2000VAC AT 1 Minute.
- 1-2. INSULATION RESISTANCE: 500 MEGAOHMS MIN. INITIAL.

**2. PERFORMANCE:**

- 2-1. VOLTAGE RATING: 300V DC .
- 2-2. CURRENT RATING:15 Amps.MAX. PER CONTACT .
- 2-3. OPERATING TEMPERATURE: -40°C TO +105°C.

**3. PRODUCT NO.MATRIX:**

TE P H 2\* 6 - 1 \* G 0 1- D H

TE=Terminal Block

Product Series  
P=PCB Mount

Terminal Type  
H=Two piece Header

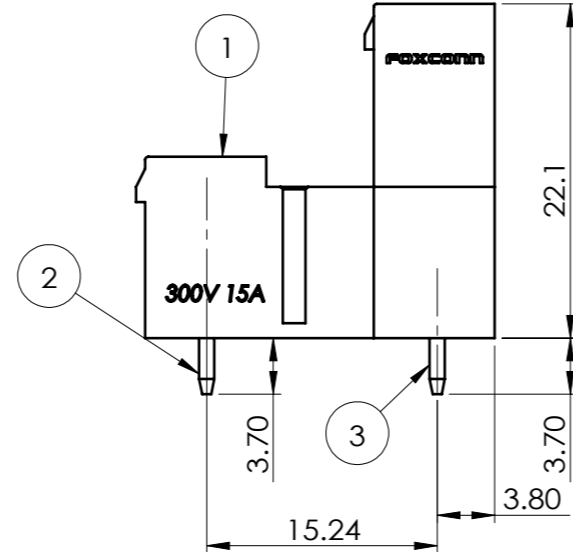
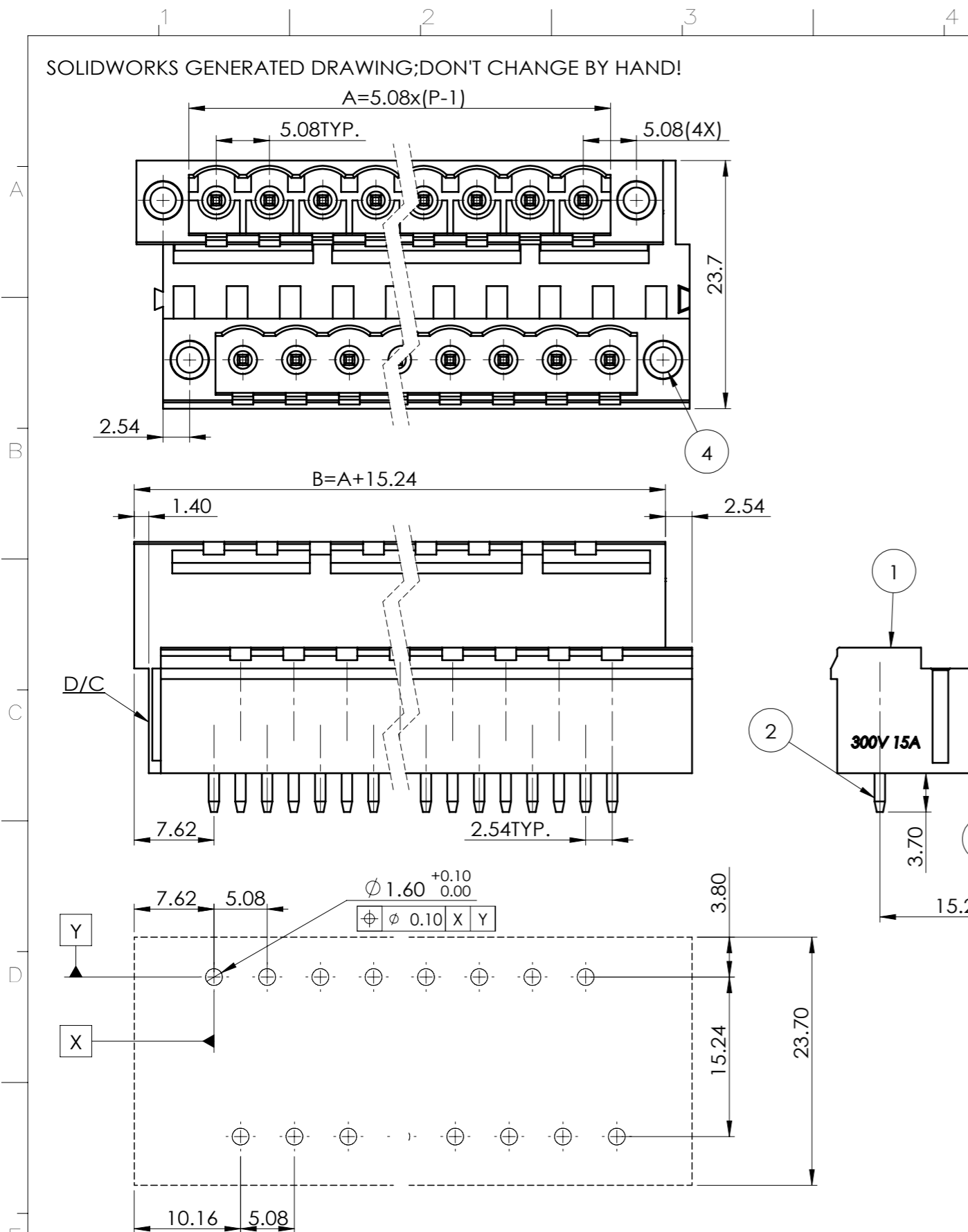
RowxPole  
2=2R 8=8P

Contact PITCH  
6=5.08mm

H=HALOGEN FREE

Package Code  
D=BOX

Extension Code



**RECOMMENDED PCB LAYOUT**

|         |       |       |       |       |       |       |       |       |       |       |       |
|---------|-------|-------|-------|-------|-------|-------|-------|-------|-------|-------|-------|
| P(Pole) | 2     | 3     | 4     | 5     | 6     | 7     | 8     | 9     | 10    | 11    | 12    |
| A       | 5.08  | 10.16 | 15.24 | 20.32 | 25.4  | 30.48 | 35.56 | 40.64 | 45.72 | 50.8  | 55.88 |
| B       | 20.32 | 25.4  | 30.48 | 35.56 | 40.64 | 45.72 | 50.8  | 55.88 | 60.96 | 66.04 | 71.12 |

|      |             |                        |      |
|------|-------------|------------------------|------|
| 4    | NUT         | COPPER ALLOY           | 4    |
| 3    | Header pin2 | COPPER ALLOY           | P    |
| 2    | Header pin1 | COPPER ALLOY           | P    |
| 1    | HOUSING     | THERMOPLASTIC UL 94V-0 | 1    |
| ITEM | PART NO.    | MATERIAL               | Q'TY |

|   |         |          |  |   |       |       |      |     |      |     |
|---|---------|----------|--|---|-------|-------|------|-----|------|-----|
| X. ±  | X° ± 1° | UNITS mm | NAME(INTENDED USE)                               | <b>FOXCONN®</b><br>FOXCONN INTERCONNECT TECHNOLOGY LIMITED.<br>CLASS:<br><input type="checkbox"/> CONFIDENTIAL <input type="checkbox"/> SECRET <input checked="" type="checkbox"/> GENERAL<br>TITLE: CUSTOMER DRAWING<br>DWG NO.: 307-0000-1734 |       |       |      |     |      |     |
| .X ± 0.25   | .X° ±   | MAT'L    | Terminal block Conn.                             |   |       |       |      |     |      |     |
| .XX ± 0.20  | .XX° ±  | N/A      | PART NO.(INTENDED USE)TITLE:<br>TEPH2*6-1*G01-DH |   |       |       |      |     |      |     |
| .XXX ±  | .XXX° ± | FINISH   | APPD: Davy Bu 5/03'16                            |   |       |       |      |     |      |     |
| THESE DRAWINGS AND SPECIFICATIONS ARE THE PROPERTY OF FOXCONN INTERCONNECT CO., LTD. AND SHALL NOT BE REPRODUCED, COPIED OR USED IN ANY MANNER WITHOUT THE PRIOR WRITTEN CONSENT OF FOXCONN INTERCONNECT TECHNOLOGY LIMITED |         |          | Q'TY   | CHKD: Johnny Tang 5/03'16   |       |       |      |     |      |     |
|   |         |          | DR: Lu Qing 5/03'16                              |  <table border="1"> <tr> <td>SCALE</td> <td>SHEET</td> <td>REV.</td> </tr> <tr> <td>N/A</td> <td>1/16</td> <td>AX1</td> </tr> </table>                     | SCALE | SHEET | REV. | N/A | 1/16 | AX1 |
| SCALE   | SHEET   | REV.     |  |   |       |       |      |     |      |     |
| N/A   | 1/16    | AX1      |  |   |       |       |      |     |      |     |

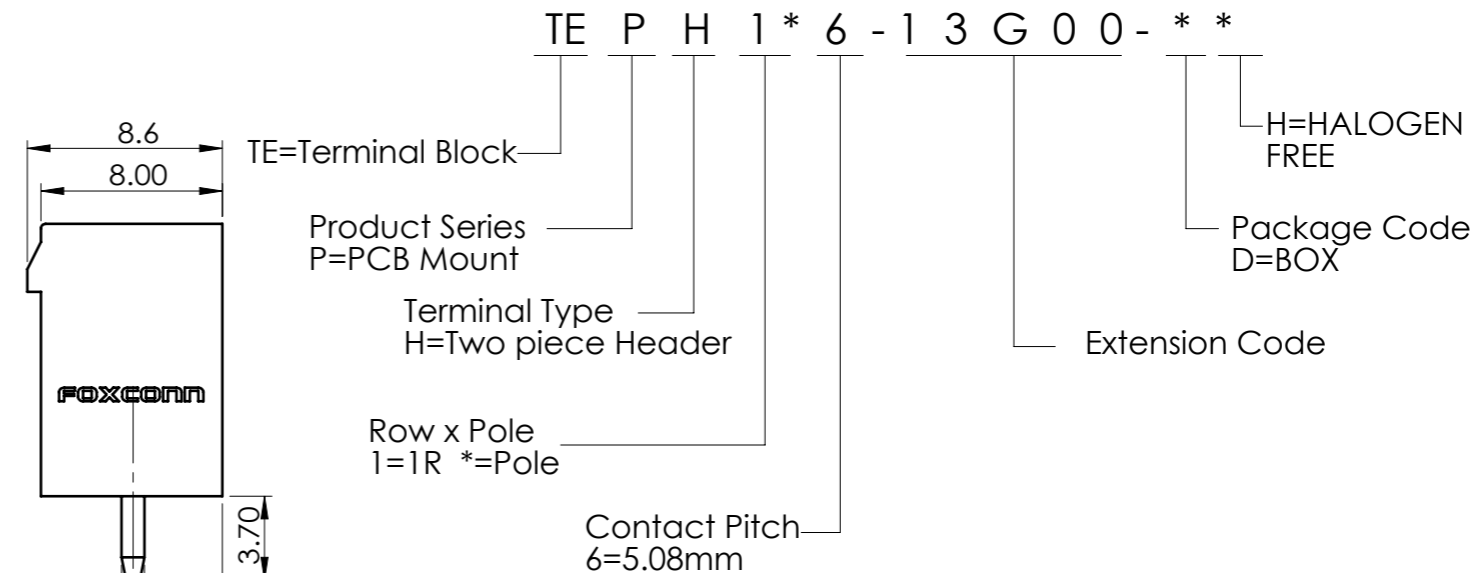
SOLIDWORKS GENERATED DRAWING;DON'T CHANGE BY HAND!

|      |          |       |
|------|----------|-------|
| REV. | ECN. NO. | APPD. |
|      |          |       |

**SPECIFICATION:**  
UL STANDARD

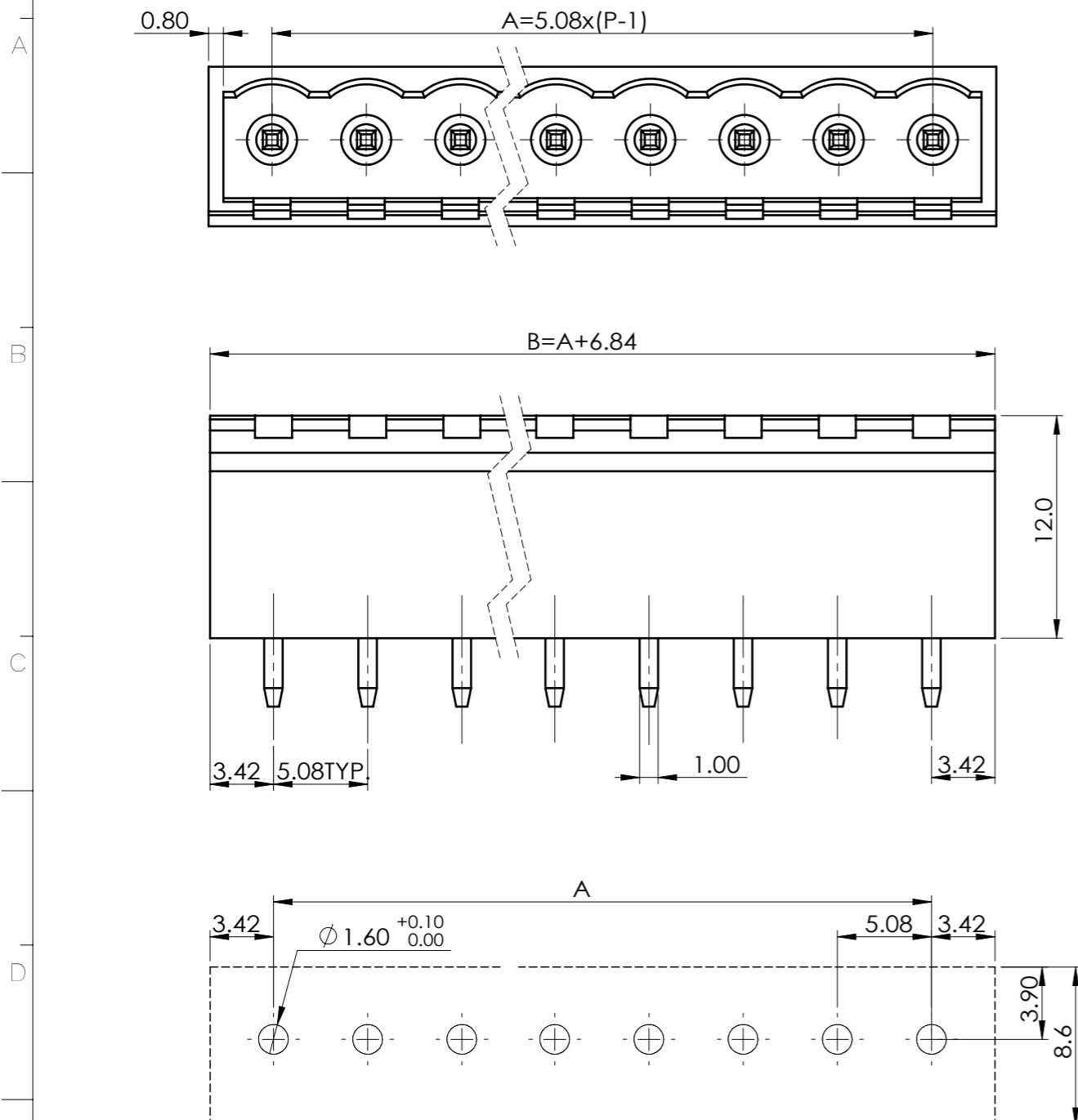
1. ELECTRICAL CHARACTERISTICS:
  - 1-1. DIELECTRIC WITHSTANDING VOLTAGE: 2000VAC AT 1 Minute.
  - 1-2. INSULATION RESISTANCE: 500 MEGAOHMS MIN. INITIAL.
2. PERFORMANCE:
  - 2-1. VOLTAGE RATING: 300V DC .
  - 2-2. CURRENT RATING:15 Amps.MAX. PER CONTACT .
  - 2-3. OPERATING TEMPERATURE: -40°C TO +105°C.
3. PRODUCT NO.MATRIX:

TE P H 1\* 6 - 1 3 G 0 0 - \* \*



|      |    |    |    |    |    |    |    |    |    |    |    |    |
|------|----|----|----|----|----|----|----|----|----|----|----|----|
| Pole | 2  | 3  | 4  | 5  | 6  | 7  | 8  | 9  | 10 | 11 | 12 | 13 |
| CODE | 2  | 3  | 4  | 5  | 6  | 7  | 8  | 9  | A  | B  | C  | D  |
| Pole | 14 | 15 | 16 | 17 | 18 | 19 | 20 | 21 | 22 | 23 | 24 |    |
| CODE | E  | F  | G  | H  | J  | K  | L  | M  | N  | P  | R  |    |

|      |            |                        |      |
|------|------------|------------------------|------|
| 2    | Header pin | COPPER ALLOY           | P    |
| 1    | HOUSING    | THERMOPLASTIC UL 94V-0 | 1    |
| ITEM | PART NO.   | MATERIAL               | Q'TY |



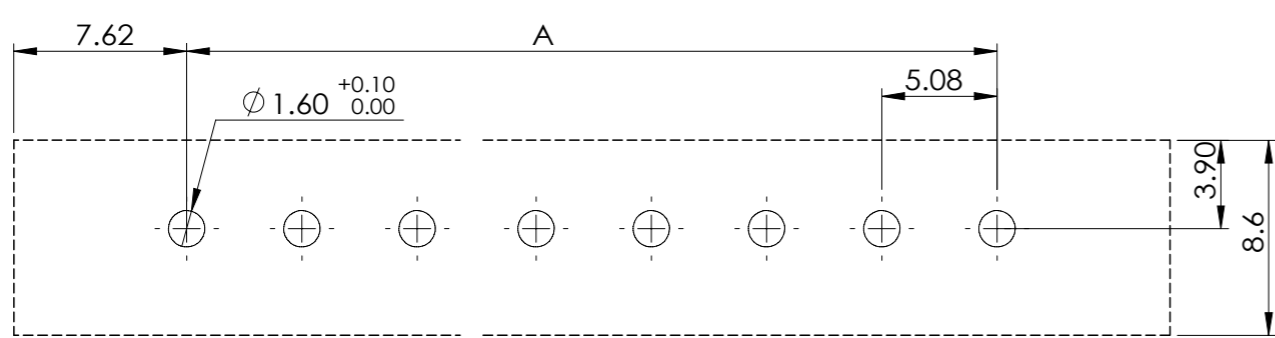
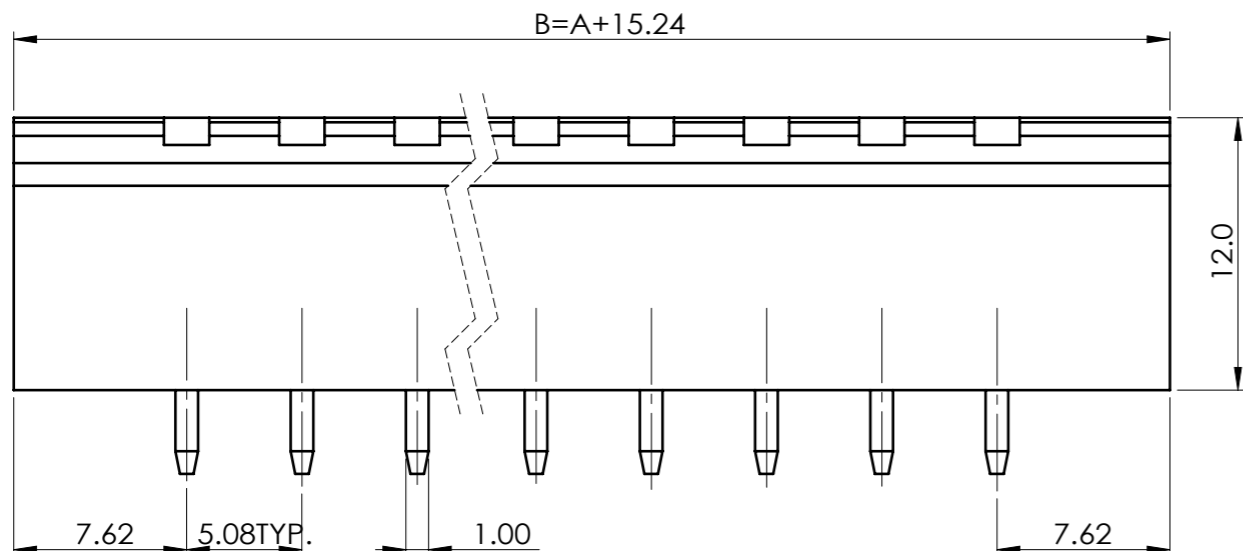
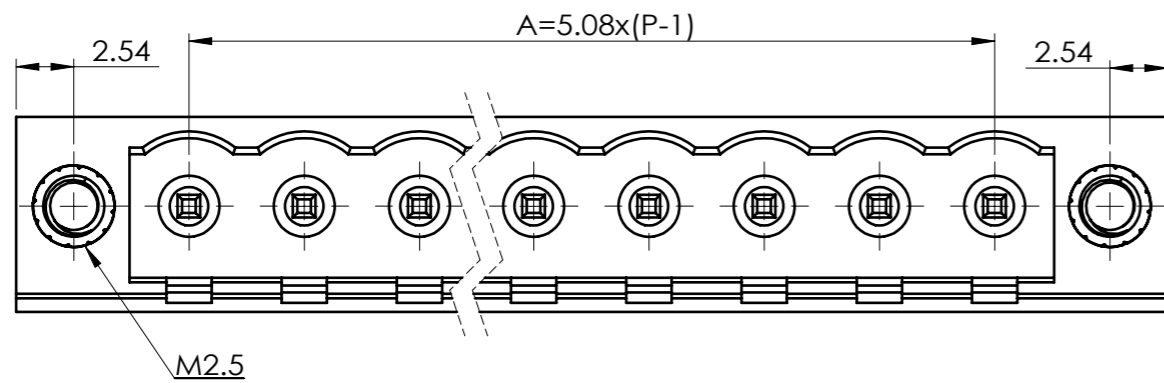
RECOMMENDED PCB LAYOUT

|         |       |       |       |       |       |       |        |        |        |        |        |       |
|---------|-------|-------|-------|-------|-------|-------|--------|--------|--------|--------|--------|-------|
| P(Pole) | 2     | 3     | 4     | 5     | 6     | 7     | 8      | 9      | 10     | 11     | 12     | 13    |
| A       | 5.08  | 10.16 | 15.24 | 20.32 | 25.4  | 30.48 | 35.56  | 40.64  | 45.72  | 50.8   | 55.88  | 60.96 |
| B       | 11.92 | 17    | 22.08 | 27.06 | 32.24 | 37.32 | 42.4   | 47.48  | 52.56  | 57.64  | 62.72  | 67.8  |
| P(Pole) | 14    | 15    | 16    | 17    | 18    | 19    | 20     | 21     | 22     | 23     | 24     |       |
| A       | 66.04 | 71.12 | 76.2  | 81.28 | 86.36 | 91.44 | 96.52  | 101.6  | 106.68 | 111.76 | 116.84 |       |
| B       | 72.88 | 77.96 | 83.04 | 88.12 | 93.2  | 98.28 | 103.36 | 108.44 | 113.52 | 118.6  | 123.68 |       |

|   |         |          |                              |   |
|---|---------|----------|------------------------------|---|
| X. ±  | X° ± 1° | UNITS mm | NAME(INTENDED USE)           | <b>FOXCONN®</b><br>FOXCONN INTERCONNECT TECHNOLOGY LIMITED.<br>CLASS:<br><input type="checkbox"/> CONFIDENTIAL <input type="checkbox"/> SECRET <input checked="" type="checkbox"/> GENERAL<br>TITLE: CUSTOMER DRAWING<br>DWG NO.: 307-0000-1734 |
| .X ± 0.35   | .X° ±   | MAT'L    | Terminal block Conn.         |   |
| .XX ± 0.25  | .XX° ±  | N/A      | PART NO.(INTENDED USE)TITLE: |   |
| .XXX ±  | .XXX° ± | FINISH   | TEPH1*6-13G00-**             |   |
| THESE DRAWINGS AND SPECIFICATIONS ARE THE PROPERTY OF FOXCONN INTERCONNECT CO., LTD. AND SHALL NOT BE REPRODUCED, COPIED OR USED IN ANY MANNER WITHOUT THE PRIOR WRITTEN CONSENT OF FOXCONN INTERCONNECT TECHNOLOGY LIMITED |         |          | APPD: Davy Bu 9/03'16        |   |
|   |         |          | CHKD: Johnny Tang 9/03'16    |   |
|   |         |          | DR: Lu Qing 9/03'16          |   |
|   |         |          | SCALE SHEET REV.             |   |
|   |         |          | N/A 2/16 AX2                 |   |

SOLIDWORKS GENERATED DRAWING;DON'T CHANGE BY HAND!

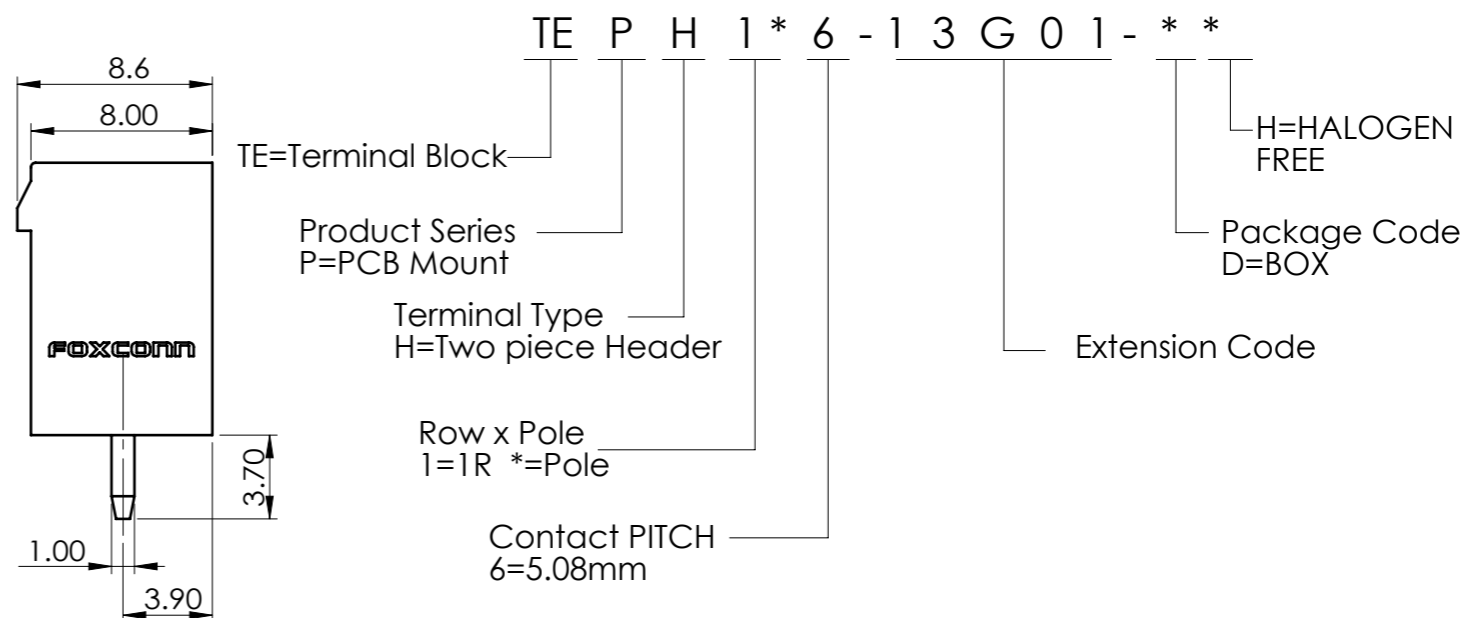
|      |          |       |
|------|----------|-------|
| REV. | ECN. NO. | APPD. |
|      |          |       |



RECOMMENDED PCB LAYOUT

**SPECIFICATION:**  
UL STANDARD

1. ELECTRICAL CHARACTERISTICS:
  - 1-1. DIELECTRIC WITHSTANDING VOLTAGE: 2000VAC AT 1 Minute.
  - 1-2. INSULATION RESISTANCE: 500 MEGAOHMS MIN. INITIAL.
2. PERFORMANCE:
  - 2-1. VOLTAGE RATING: 300V DC .
  - 2-2. CURRENT RATING:15 Amps.MAX. PER CONTACT .
  - 2-3. OPERATING TEMPERATURE: -40°C TO +105°C.
3. PRODUCT NO.MATRIX:



|      |            |                        |      |
|------|------------|------------------------|------|
| 3    | NUT        | COPPER ALLOY           | 2    |
| 2    | Header pin | COPPER ALLOY           | P    |
| 1    | HOUSING    | THERMOPLASTIC UL 94V-0 | 1    |
| ITEM | PART NO.   | MATERIAL               | Q'TY |

|         |       |       |       |       |       |       |       |       |       |       |       |       |
|---------|-------|-------|-------|-------|-------|-------|-------|-------|-------|-------|-------|-------|
| P(Pole) | 2     | 3     | 4     | 5     | 6     | 7     | 8     | 9     | 10    | 11    | 12    | 13    |
| A       | 5.08  | 10.16 | 15.24 | 20.32 | 25.4  | 30.48 | 35.56 | 40.64 | 45.72 | 50.8  | 55.88 | 60.96 |
| B       | 20.32 | 25.4  | 30.48 | 35.56 | 40.64 | 45.72 | 50.8  | 55.88 | 60.96 | 66.04 | 71.12 |       |
| P(Pole) | 14    | 15    | 16    | 17    | 18    | 19    | 20    | 21    | 22    | 23    | 24    |       |
| A       |       |       |       |       |       |       |       |       |       |       |       |       |
| B       |       |       |       |       |       |       |       |       |       |       |       |       |

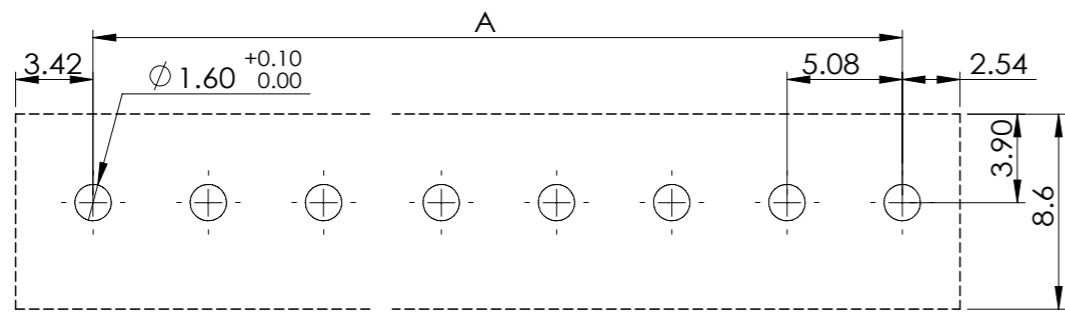
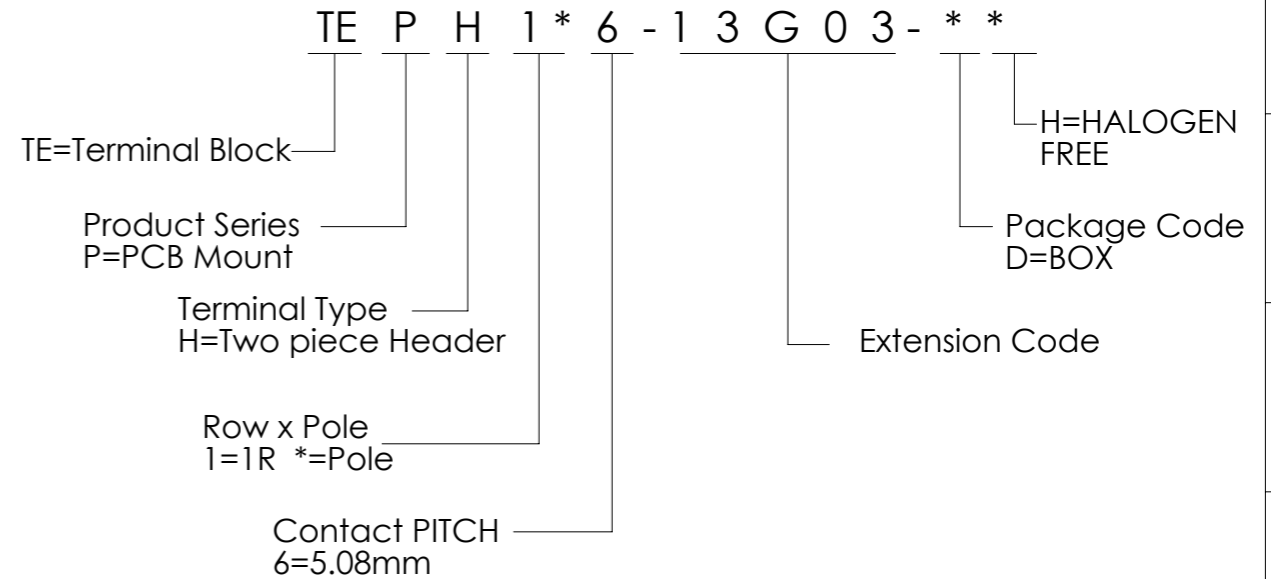
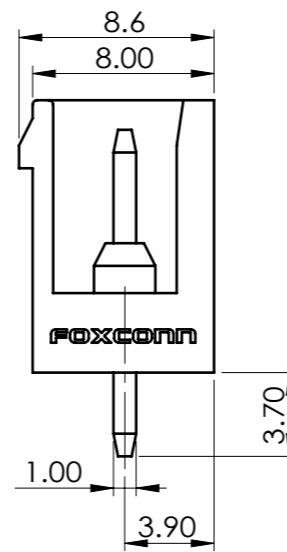
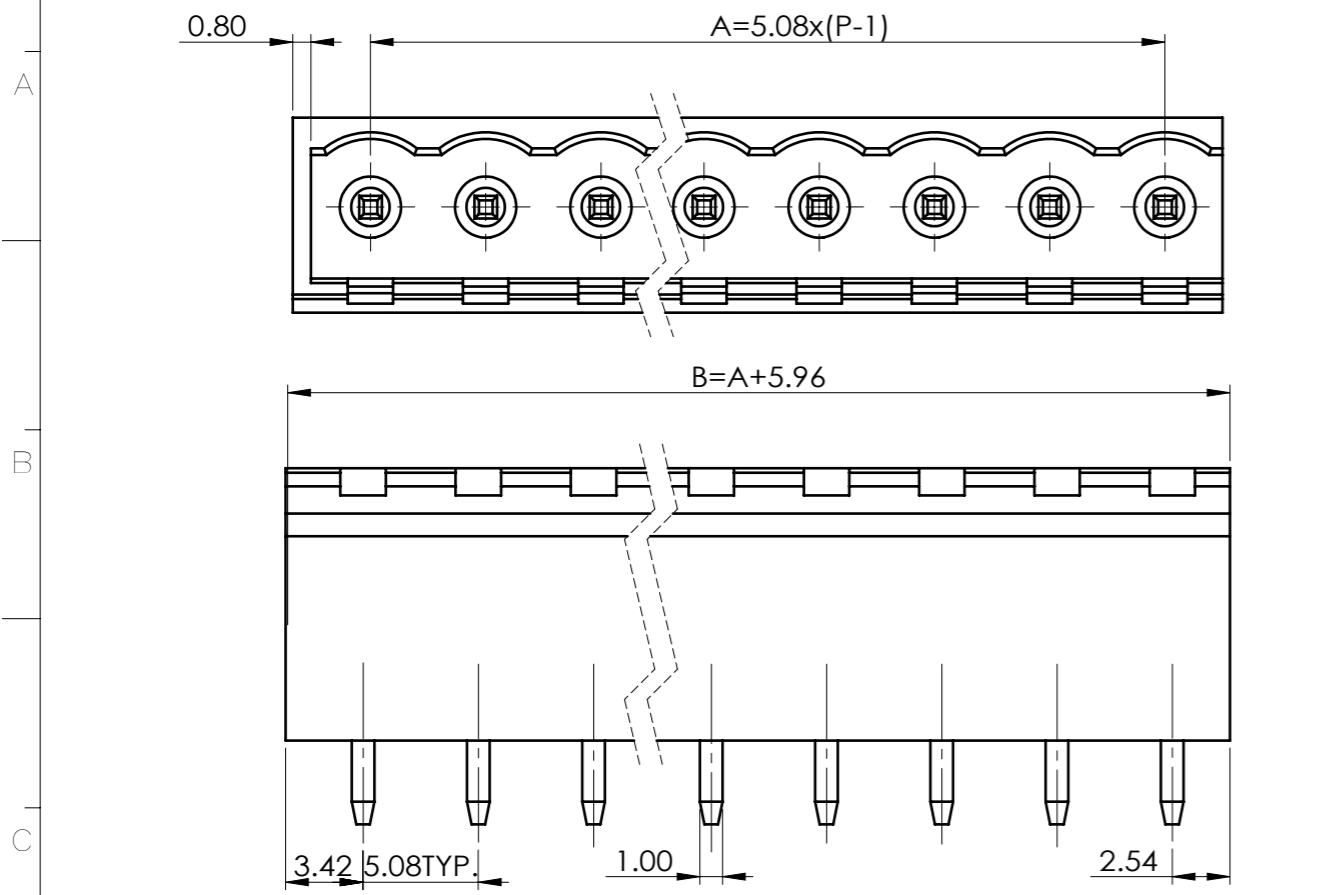
|   |         |          |                              |   |
|---|---------|----------|------------------------------|---|
| X. ±  | X° ± 1° | UNITS mm | NAME(INTENDED USE)           | <b>FOXCONN®</b><br>FOXCONN INTERCONNECT TECHNOLOGY LIMITED.<br>CLASS:<br><input type="checkbox"/> CONFIDENTIAL <input type="checkbox"/> SECRET <input checked="" type="checkbox"/> GENERAL<br>TITLE: CUSTOMER DRAWING<br>DWG NO.: 307-0000-1734 |
| .X ± 0.35   | .X° ±   | MAT'L    | Terminal block Conn.         |   |
| .XX ± 0.25  | .XX° ±  | N/A      | PART NO.(INTENDED USE)TITLE: |   |
| .XXX ±  | .XXX° ± | FINISH   | TEPH1*6-13G01-**             |   |
| THESE DRAWINGS AND SPECIFICATIONS ARE THE PROPERTY OF FOXCONN INTERCONNECT CO., LTD. AND SHALL NOT BE REPRODUCED, COPIED OR USED IN ANY MANNER WITHOUT THE PRIOR WRITTEN CONSENT OF FOXCONN INTERCONNECT TECHNOLOGY LIMITED |         |          | APPD:                        | Davy Bu 5/03'16   |
|   |         |          | CHKD:                        | Johnny Tang 5/03'16   |
|   |         |          | DR:                          | Lu Qing 5/03'16   |
|   |         | Q'TY     |                              | SCALE SHEET REV.<br>N/A 3/16 AX1  |

SOLIDWORKS GENERATED DRAWING;DON'T CHANGE BY HAND!

|      |          |       |
|------|----------|-------|
| REV. | ECN. NO. | APPD. |
|      |          |       |

**SPECIFICATION:**  
UL STANDARD

1. ELECTRICAL CHARACTERISTICS:
  - 1-1. DIELECTRIC WITHSTANDING VOLTAGE: 2000VAC AT 1 Minute.
  - 1-2. INSULATION RESISTANCE: 500 MEGAOHMS MIN. INITIAL.
2. PERFORMANCE:
  - 2-1. VOLTAGE RATING: 300V DC .
  - 2-2. CURRENT RATING:15 Amps.MAX. PER CONTACT .
  - 2-3. OPERATING TEMPERATURE: -40°C TO +105°C.
3. PRODUCT NO.MATRIX:



RECOMMENDED PCB LAYOUT

|      |            |                        |      |
|------|------------|------------------------|------|
| 2    | Header pin | COPPER ALLOY           | P    |
| 1    | HOUSING    | THERMOPLASTIC UL 94V-0 | 1    |
| ITEM | PART NO.   | MATERIAL               | Q'TY |

|         |       |       |       |       |       |       |        |        |        |        |        |       |
|---------|-------|-------|-------|-------|-------|-------|--------|--------|--------|--------|--------|-------|
| P(Pole) | 2     | 3     | 4     | 5     | 6     | 7     | 8      | 9      | 10     | 11     | 12     | 13    |
| A       | 5.08  | 10.16 | 15.24 | 20.32 | 25.4  | 30.48 | 35.56  | 40.64  | 45.72  | 50.8   | 55.88  | 60.96 |
| B       | 11.04 | 16.12 | 21.2  | 26.28 | 31.36 | 36.44 | 41.52  | 46.6   | 51.68  | 56.76  | 61.84  | 66.92 |
| P(Pole) | 14    | 15    | 16    | 17    | 18    | 19    | 20     | 21     | 22     | 23     | 24     |       |
| A       | 66.04 | 71.12 | 76.2  | 81.28 | 86.36 | 91.44 | 96.52  | 101.6  | 106.68 | 111.76 | 116.84 |       |
| B       | 72    | 77.08 | 82.16 | 87.24 | 92.32 | 97.4  | 102.48 | 107.56 | 112.64 | 117.72 | 122.8  |       |

|   |         |          |                              |   |
|---|---------|----------|------------------------------|---|
| X. ±  | X° ± 1° | UNITS mm | NAME(INTENDED USE)           | <b>FOXCONN®</b><br>FOXCONN INTERCONNECT TECHNOLOGY LIMITED.<br>CLASS:<br><input type="checkbox"/> CONFIDENTIAL <input type="checkbox"/> SECRET <input checked="" type="checkbox"/> GENERAL<br>TITLE: CUSTOMER DRAWING<br>DWG NO.: 307-0000-1734 |
| .X ± 0.35   | .X° ±   | MAT'L    | Terminal block Conn.         |   |
| .XX ± 0.25  | .XX° ±  | N/A      | PART NO.(INTENDED USE)TITLE: |   |
| .XXX ±  | .XXX° ± | FINISH   | TEPH1*6-13G03-**             |   |
| THESE DRAWINGS AND SPECIFICATIONS ARE THE PROPERTY OF FOXCONN INTERCONNECT CO., LTD. AND SHALL NOT BE REPRODUCED, COPIED OR USED IN ANY MANNER WITHOUT THE PRIOR WRITTEN CONSENT OF FOXCONN INTERCONNECT TECHNOLOGY LIMITED |         |          | APPD: Davy Bu 5/03'16        | SCALE SHEET REV.  |
|   |         |          | CHKD: Johnny Tang 5/03'16    | N/A 4/16 AX1  |
|   |         |          | DR: Lu Qing 5/03'16          |   |

SOLIDWORKS GENERATED DRAWING;DON'T CHANGE BY HAND!

|      |          |       |
|------|----------|-------|
| REV. | ECN. NO. | APPD. |
|      |          |       |

**SPECIFICATION:**  
UL STANDARD

**1. ELECTRICAL CHARACTERISTICS:**

- 1-1. DIELECTRIC WITHSTANDING VOLTAGE: 2000VAC AT 1 Minute.
- 1-2. INSULATION RESISTANCE: 500 MEGAOHMS MIN. INITIAL.

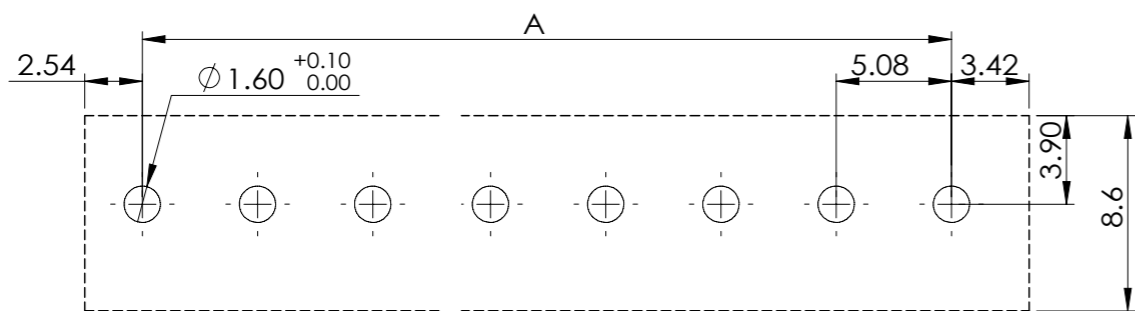
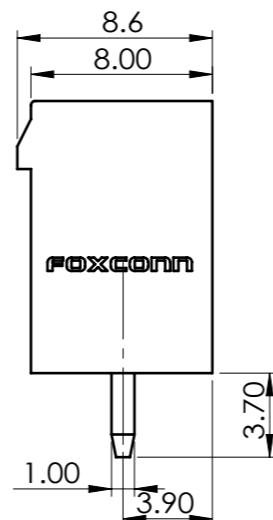
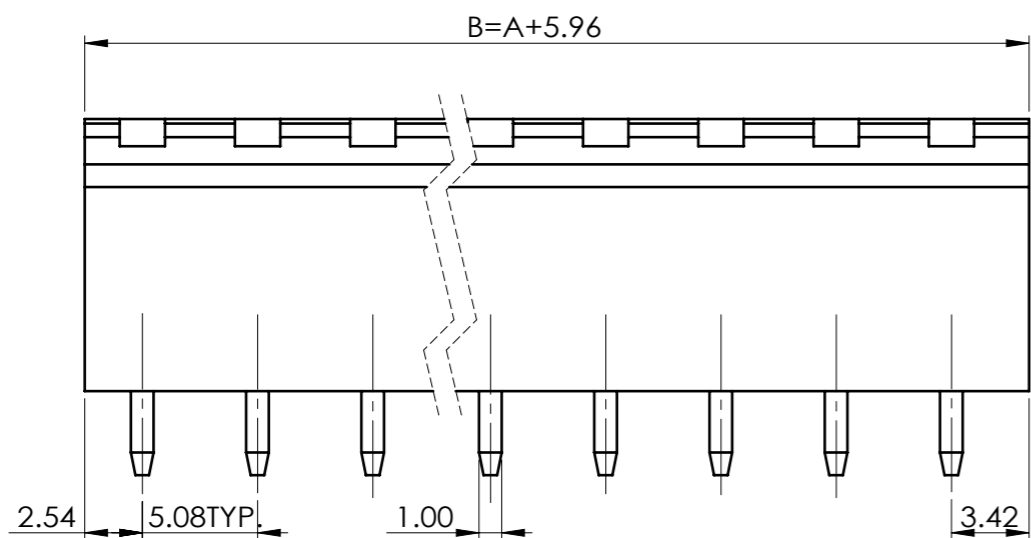
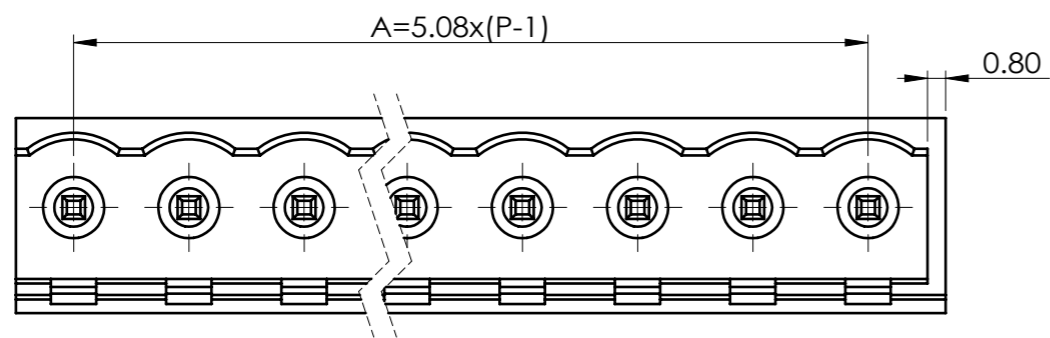
**2. PERFORMANCE:**

- 2-1. VOLTAGE RATING: 300V DC .
- 2-2. CURRENT RATING:15 Amps.MAX. PER CONTACT .
- 2-3. OPERATING TEMPERATURE: -40°C TO +105°C.

**3. PRODUCT NO.MATRIX:**

TE P H 1\* 6 - 1 3 G 0 4 - \* \*

TE=Terminal Block  
 Product Series P=PCB Mount  
 Terminal Type H=Two piece Header  
 Row x Pole 1=1R \*=Pole  
 Contact PITCH 6=5.08mm  
 H=HALOGEN FREE  
 Package Code D=BOX  
 Extension Code



**RECOMMENDED PCB LAYOUT**

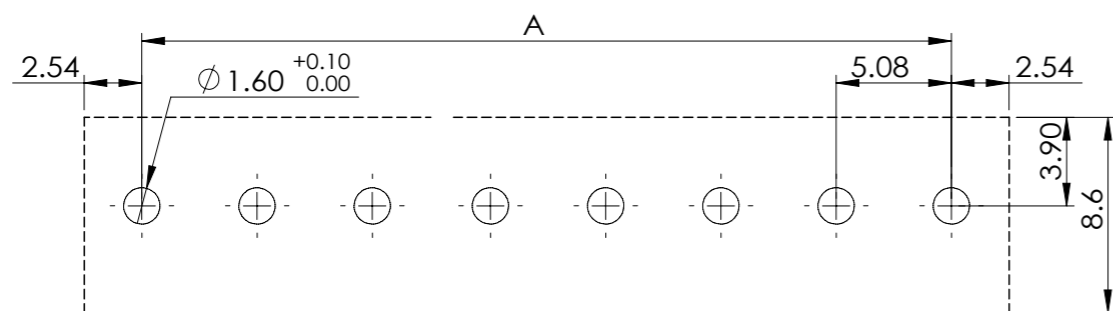
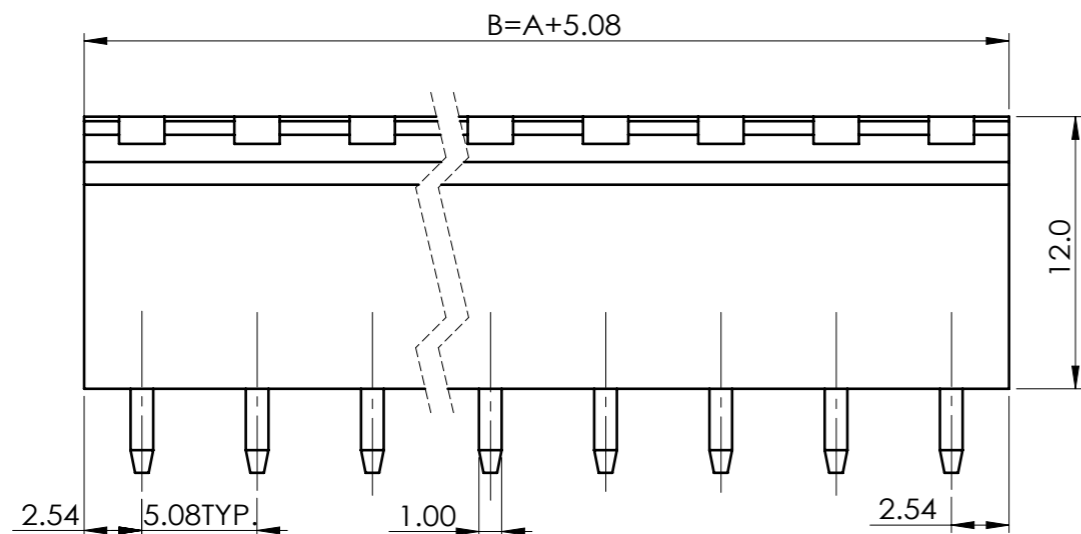
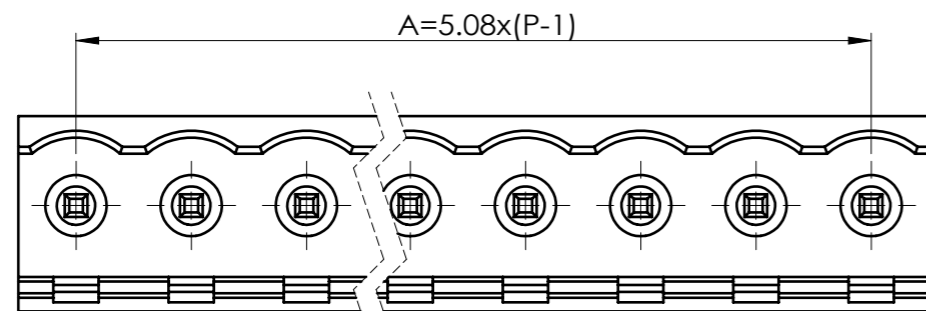
|         |       |       |       |       |       |       |       |       |       |       |       |
|---------|-------|-------|-------|-------|-------|-------|-------|-------|-------|-------|-------|
| P(Pole) | 2     | 3     | 4     | 5     | 6     | 7     | 8     | 9     | 10    | 11    | 12    |
| B       | 5.08  | 10.16 | 15.24 | 20.32 | 25.4  | 30.48 | 35.56 | 40.64 | 45.72 | 50.8  | 55.88 |
| A       | 11.04 | 16.12 | 21.2  | 26.28 | 31.36 | 36.44 | 41.52 | 46.6  | 51.68 | 56.76 | 61.84 |

|      |            |                        |      |
|------|------------|------------------------|------|
| 2    | Header pin | COPPER ALLOY           | P    |
| 1    | HOUSING    | THERMOPLASTIC UL 94V-0 | 1    |
| ITEM | PART NO.   | MATERIAL               | Q'TY |

|   |         |          |                              |   |
|---|---------|----------|------------------------------|---|
| X. ±  | X° ± 1° | UNITS mm | NAME(INTENDED USE)           | <b>FOXCONN®</b><br>FOXCONN INTERCONNECT TECHNOLOGY LIMITED.<br>CLASS:<br><input type="checkbox"/> CONFIDENTIAL <input type="checkbox"/> SECRET <input checked="" type="checkbox"/> GENERAL<br>TITLE: CUSTOMER DRAWING<br>DWG NO.: 307-0000-1734 |
| .X ± 0.35   | .X° ±   | MAT'L    | Terminal block Conn.         |   |
| .XX ± 0.25  | .XX° ±  | N/A      | PART NO.(INTENDED USE)TITLE: |   |
| .XXX ±  | .XXX° ± | FINISH   | TEPH1*6-13G04-**             |   |
| THESE DRAWINGS AND SPECIFICATIONS ARE THE PROPERTY OF FOXCONN INTERCONNECT CO., LTD. AND SHALL NOT BE REPRODUCED, COPIED OR USED IN ANY MANNER WITHOUT THE PRIOR WRITTEN CONSENT OF FOXCONN INTERCONNECT TECHNOLOGY LIMITED |         |          | APPD: Davy Bu 5/03'16        | DR: Lu Qing 5/03'16   |
| Q'TY  |         |          | CHKD: Johnny Tang 5/03'16    | SCALE SHEET REV. N/A 5/16 AX1   |

SOLIDWORKS GENERATED DRAWING;DON'T CHANGE BY HAND!

| REV. | ECN. NO. | APPD. |
|------|----------|-------|
|      |          |       |



RECOMMENDED PCB LAYOUT

**SPECIFICATION:**

- UL STANDARD
- 1. ELECTRICAL CHARACTERISTICS:
  - 1-1. DIELECTRIC WITHSTANDING VOLTAGE: 2000VAC AT 1 Minute.
  - 1-2. INSULATION RESISTANCE: 500 MEGAOHMS MIN. INITIAL.
- 2. PERFORMANCE:
  - 2-1. VOLTAGE RATING: 300V DC .
  - 2-2. CURRENT RATING: 15 Amps.MAX. PER CONTACT .
  - 2-3. OPERATING TEMPERATURE: -40°C TO +105°C.
- 3. PRODUCT NO.MATRIX:

**TE P H 1 \* 6 - 1 3 G 0 5 - \* \***

TE=Terminal Block

Product Series  
P=PCB Mount

Terminal Type  
H=Two piece Header

Row x Pole  
1=1R \*=Pole

Contact PITCH  
6=5.08mm

H=HALOGEN FREE

Package Code  
D=BOX

Extension Code

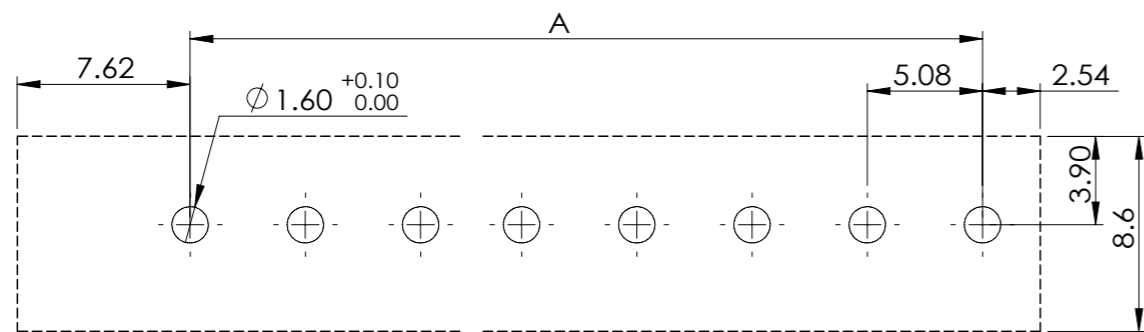
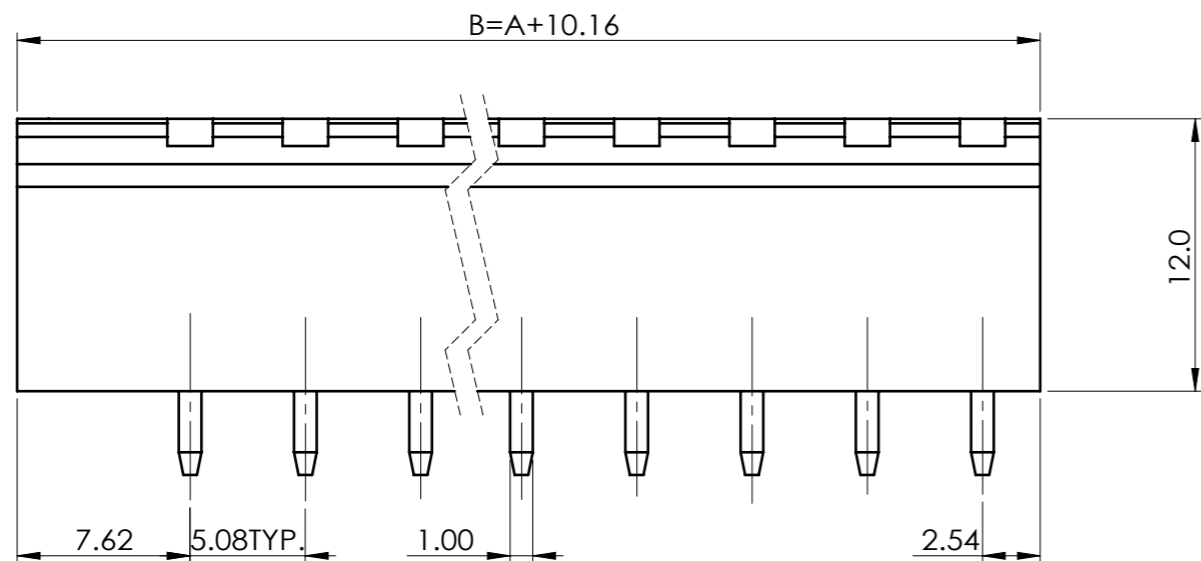
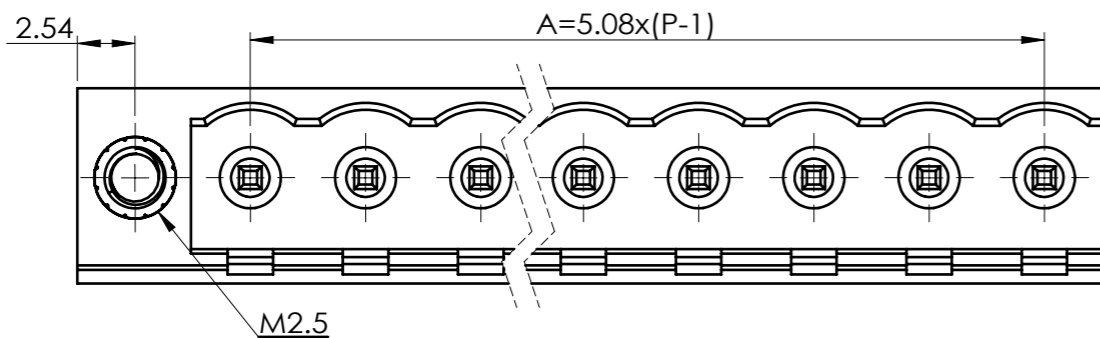
| ITEM | PART NO.   | MATERIAL               | Q'TY |
|------|------------|------------------------|------|
| 2    | Header pin | COPPER ALLOY           | P    |
| 1    | HOUSING    | THERMOPLASTIC UL 94V-0 | 1    |

| P(Pole) | 2     | 3     | 4     | 5     | 6     | 7     | 8     | 9      | 10     | 11     | 12     | 13    |
|---------|-------|-------|-------|-------|-------|-------|-------|--------|--------|--------|--------|-------|
| A       | 5.08  | 10.16 | 15.24 | 20.32 | 25.4  | 30.48 | 35.56 | 40.64  | 45.72  | 50.8   | 55.88  | 60.96 |
| B       | 10.16 | 15.24 | 20.32 | 25.4  | 30.48 | 35.56 | 40.64 | 45.72  | 50.8   | 55.88  | 60.96  | 66.04 |
| P(Pole) | 14    | 15    | 16    | 17    | 18    | 19    | 20    | 21     | 22     | 23     | 24     |       |
| A       | 66.04 | 71.12 | 76.2  | 81.28 | 86.36 | 91.44 | 96.52 | 101.6  | 106.68 | 111.76 | 116.84 |       |
| B       | 71.12 | 76.2  | 81.28 | 86.36 | 91.44 | 96.52 | 101.6 | 106.68 | 111.76 | 116.84 | 121.92 |       |

|   |         |          |                              |   |
|---|---------|----------|------------------------------|---|
| X. ±  | X° ± 1° | UNITS mm | NAME(INTENDED USE)           | <b>FOXCONN®</b><br>FOXCONN INTERCONNECT TECHNOLOGY LIMITED.<br>CLASS:<br><input type="checkbox"/> CONFIDENTIAL <input type="checkbox"/> SECRET <input checked="" type="checkbox"/> GENERAL<br>TITLE: CUSTOMER DRAWING<br>DWG NO.: 307-0000-1734 |
| .X ± 0.35   | .X° ±   | MAT'L    | Terminal block Conn.         |   |
| .XX ± 0.25  | .XX° ±  | N/A      | PART NO.(INTENDED USE)TITLE: |   |
| .XXX ±  | .XXX° ± | FINISH   | TEPH1*6-13G05-**             |   |
| THESE DRAWINGS AND SPECIFICATIONS ARE THE PROPERTY OF FOXCONN INTERCONNECT CO., LTD. AND SHALL NOT BE REPRODUCED, COPIED OR USED IN ANY MANNER WITHOUT THE PRIOR WRITTEN CONSENT OF FOXCONN INTERCONNECT TECHNOLOGY LIMITED |         |          | APPD: Davy Bu 5/03'16        |   |
|   |         |          | CHKD: Johnny Tang 5/03'16    |   |
|   |         |          | DR: Lu Qing 5/03'16          | SCALE SHEET REV.<br>N/A 6/16 AX1  |

SOLIDWORKS GENERATED DRAWING;DON'T CHANGE BY HAND!

|      |          |       |
|------|----------|-------|
| REV. | ECN. NO. | APPD. |
|      |          |       |



**SPECIFICATION:**  
UL STANDARD

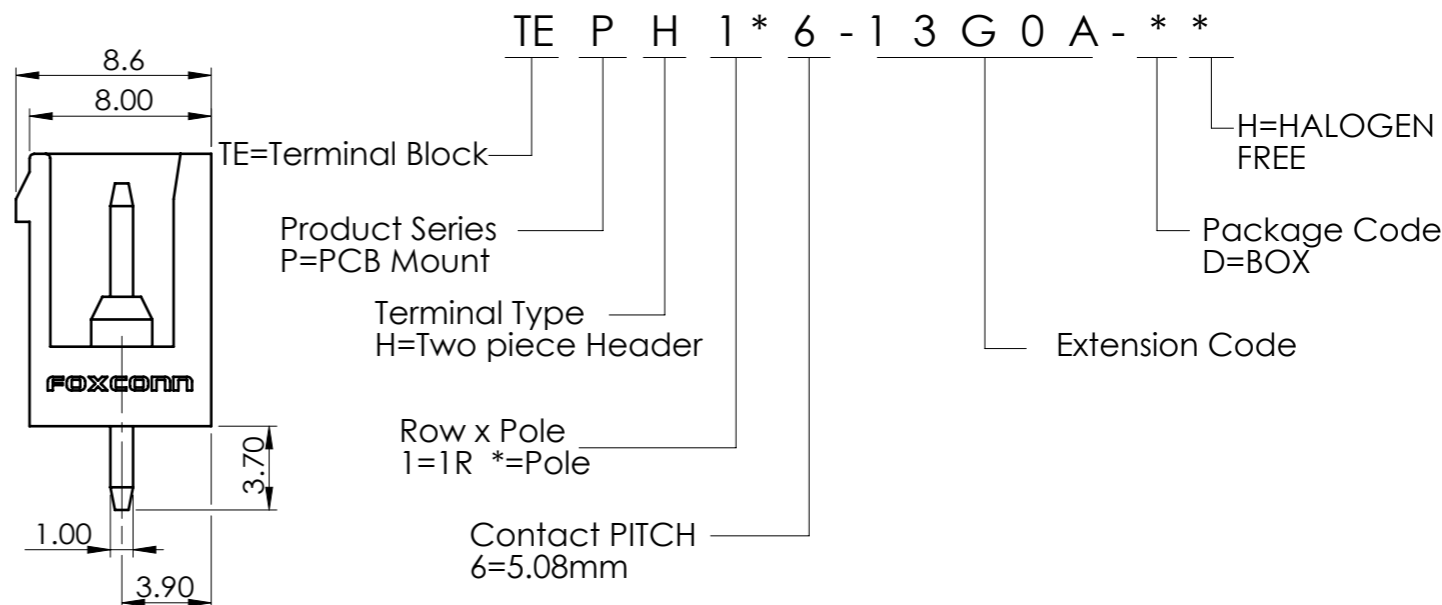
**1. ELECTRICAL CHARACTERISTICS:**

- 1-1. DIELECTRIC WITHSTANDING VOLTAGE: 2000VAC AT 1 Minute.
- 1-2. INSULATION RESISTANCE: 500 MEGAOHMS MIN. INITIAL.

**2. PERFORMANCE:**

- 2-1. VOLTAGE RATING: 300V DC .
- 2-2. CURRENT RATING:15 Amps.MAX. PER CONTACT .
- 2-3. OPERATING TEMPERATURE: -40°C TO +105°C.

**3. PRODUCT NO.MATRIX:**



RECOMMENDED PCB LAYOUT

| 3    | NUT        | COPPER ALLOY           | 1    |
|------|------------|------------------------|------|
| 2    | Header pin | COPPER ALLOY           | P    |
| 1    | HOUSING    | THERMOPLASTIC UL 94V-0 | 1    |
| ITEM | PART NO.   | MATERIAL               | Q'TY |

|         |       |       |       |       |       |       |        |        |        |        |        |       |
|---------|-------|-------|-------|-------|-------|-------|--------|--------|--------|--------|--------|-------|
| P(Pole) | 2     | 3     | 4     | 5     | 6     | 7     | 8      | 9      | 10     | 11     | 12     | 13    |
| A       | 5.08  | 10.16 | 15.24 | 20.32 | 25.4  | 30.48 | 35.56  | 40.64  | 45.72  | 50.8   | 55.88  | 60.96 |
| B       | 15.24 | 20.32 | 25.4  | 30.48 | 35.56 | 40.64 | 45.72  | 50.8   | 55.88  | 60.96  | 66.04  | 71.12 |
| P(Pole) | 14    | 15    | 16    | 17    | 18    | 19    | 20     | 21     | 22     | 23     | 24     |       |
| A       | 66.04 | 71.12 | 76.2  | 81.28 | 86.36 | 91.44 | 96.52  | 101.6  | 106.68 | 111.76 | 116.84 |       |
| B       | 76.2  | 81.28 | 86.36 | 91.44 | 96.52 | 101.6 | 106.68 | 111.76 | 116.84 | 121.92 | 127    |       |

|   |         |          |                              |   |
|---|---------|----------|------------------------------|---|
| X. ±  | X° ± 1° | UNITS mm | NAME(INTENDED USE)           | <b>FOXCONN®</b><br>FOXCONN INTERCONNECT TECHNOLOGY LIMITED.<br>CLASS:<br><input type="checkbox"/> CONFIDENTIAL <input type="checkbox"/> SECRET <input checked="" type="checkbox"/> GENERAL<br>TITLE: CUSTOMER DRAWING<br>DWG NO.: 307-0000-1734 |
| .X ± 0.35   | .X° ±   | MAT'L    | Terminal block Conn.         |   |
| .XX ± 0.25  | .XX° ±  | N/A      | PART NO.(INTENDED USE)TITLE: |   |
| .XXX ±  | .XXX° ± | FINISH   | TEPH1*6-13G0A-**             |   |
| THESE DRAWINGS AND SPECIFICATIONS ARE THE PROPERTY OF FOXCONN INTERCONNECT CO., LTD. AND SHALL NOT BE REPRODUCED, COPIED OR USED IN ANY MANNER WITHOUT THE PRIOR WRITTEN CONSENT OF FOXCONN INTERCONNECT TECHNOLOGY LIMITED |         |          | APPD: Davy Bu 5/03'16        |   |
|   |         |          | CHKD: Johnny Tang 5/03'16    |   |
|   |         |          | DR: Lu Qing 5/03'16          |   |

SOLIDWORKS GENERATED DRAWING;DON'T CHANGE BY HAND!

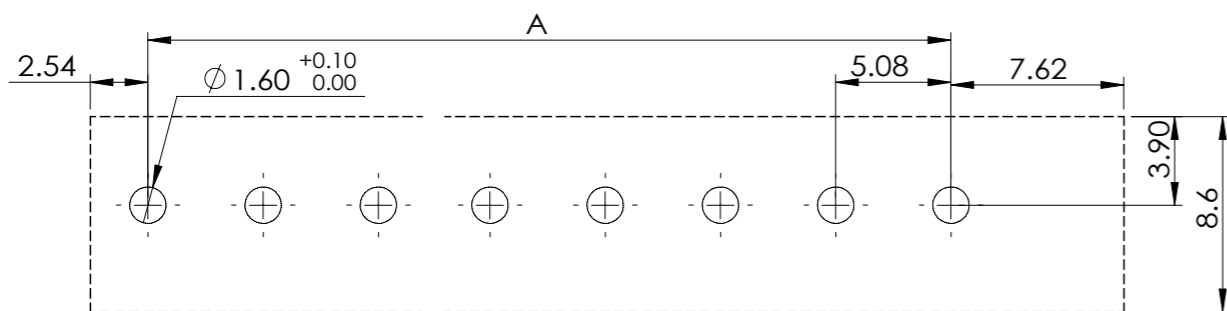
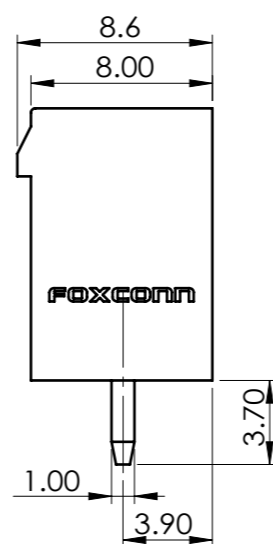
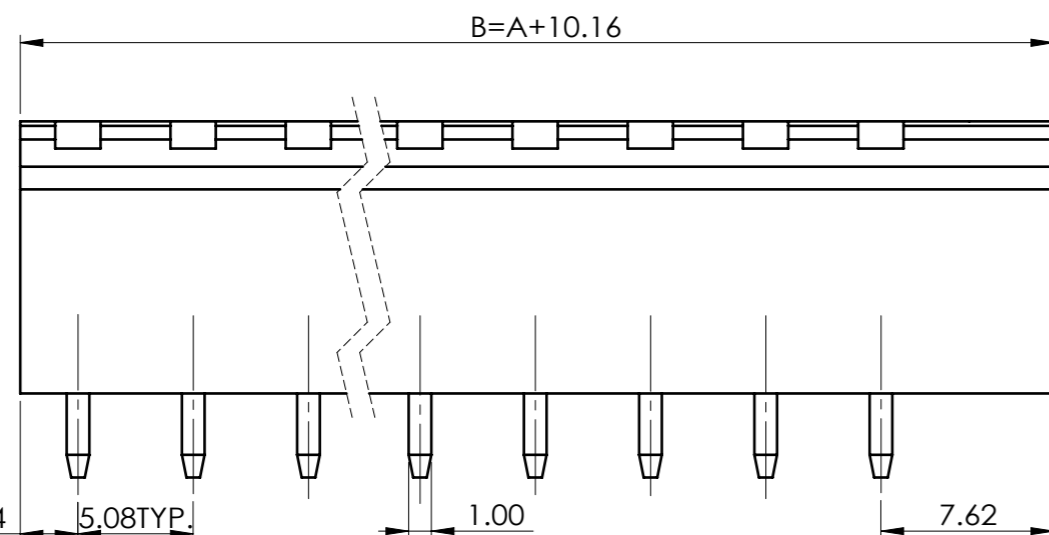
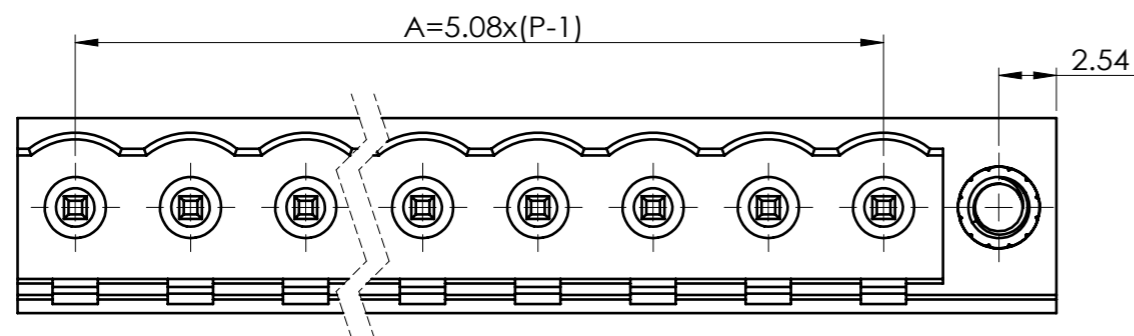
|      |          |       |
|------|----------|-------|
| REV. | ECN. NO. | APPD. |
|      |          |       |

**SPECIFICATION:**  
UL STANDARD

1. ELECTRICAL CHARACTERISTICS:
  - 1-1. DIELECTRIC WITHSTANDING VOLTAGE: 2000VAC AT 1 Minute.
  - 1-2. INSULATION RESISTANCE: 500 MEGAOHMS MIN. INITIAL.
2. PERFORMANCE:
  - 2-1. VOLTAGE RATING: 300V DC .
  - 2-2. CURRENT RATING:15 Amps.MAX. PER CONTACT .
  - 2-3. OPERATING TEMPERATURE: -40°C TO +105°C.
3. PRODUCT NO.MATRIX:

TE P H 1 \* 6 - 1 3 G 0 B - \* \*

TE=Terminal Block  
 Product Series P=PCB Mount  
 Terminal Type H=Two piece Header  
 Row x Pole 1=1R \*=Pole  
 Contact PITCH 6=5.08mm  
 H=HALOGEN FREE  
 Package Code D=BOX  
 Extension Code



**RECOMMENDED PCB LAYOUT**

| P(Pole) | 2     | 3     | 4     | 5     | 6     | 7     | 8     | 9     | 10    | 11    | 12    |
|---------|-------|-------|-------|-------|-------|-------|-------|-------|-------|-------|-------|
| B       | 5.08  | 10.16 | 15.24 | 20.32 | 25.4  | 30.48 | 35.56 | 40.64 | 45.72 | 50.8  | 55.88 |
| A       | 15.24 | 20.32 | 25.4  | 30.48 | 35.56 | 40.64 | 45.72 | 50.8  | 55.88 | 60.96 | 66.04 |

| 3    | NUT        | COPPER ALLOY           | 1    |
|------|------------|------------------------|------|
| 2    | Header pin | COPPER ALLOY           | P    |
| 1    | HOUSING    | THERMOPLASTIC UL 94V-0 | 1    |
| ITEM | PART NO.   | MATERIAL               | Q'TY |

|   |         |          |                              |   |
|---|---------|----------|------------------------------|---|
| X. ±  | X° ± 1° | UNITS mm | NAME(INTENDED USE)           | <b>FOXCONN®</b><br>FOXCONN INTERCONNECT TECHNOLOGY LIMITED.<br>CLASS:<br><input type="checkbox"/> CONFIDENTIAL <input type="checkbox"/> SECRET <input checked="" type="checkbox"/> GENERAL<br>TITLE: CUSTOMER DRAWING<br>DWG NO.: 307-0000-1734 |
| .X ± 0.35   | .X° ±   | MAT'L    | Terminal block Conn.         |   |
| .XX ± 0.25  | .XX° ±  | N/A      | PART NO.(INTENDED USE)TITLE: |   |
| .XXX ±  | .XXX° ± | FINISH   | TEPH1*6-13G0B-**             |   |
| THESE DRAWINGS AND SPECIFICATIONS ARE THE PROPERTY OF FOXCONN INTERCONNECT CO., LTD. AND SHALL NOT BE REPRODUCED, COPIED OR USED IN ANY MANNER WITHOUT THE PRIOR WRITTEN CONSENT OF FOXCONN INTERCONNECT TECHNOLOGY LIMITED |         |          | APPD: Davy Bu 5/03'16        | DR: Lu Qing 5/03'16   |
| Q'TY  |         |          | CHKD: Johnny Tang 5/03'16    | SCALE SHEET REV. N/A 8/16 AX1   |



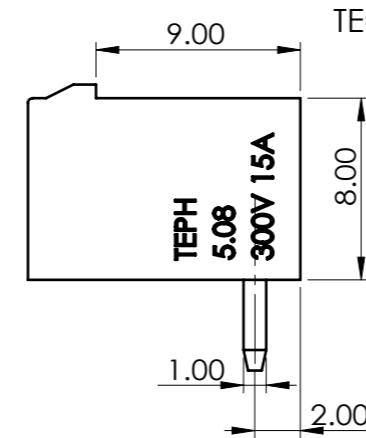
SOLIDWORKS GENERATED DRAWING;DON'T CHANGE BY HAND!

|      |            |         |
|------|------------|---------|
| REV. | ECN. NO.   | APPD.   |
| AX2  | 2016-11-18 | Davy Bu |

**SPECIFICATION:**  
UL STANDARD

- ELECTRICAL CHARACTERISTICS:**
  - 1-1. DIELECTRIC WITHSTANDING VOLTAGE: 2000VAC AT 1 Minute.
  - 1-2. INSULATION RESISTANCE: 500 MEGAOHMS MIN. INITIAL.
- PERFORMANCE:**
  - 2-1. VOLTAGE RATING: 300V DC .
  - 2-2. CURRENT RATING:15 Amps.MAX. PER CONTACT .
  - 2-3. OPERATING TEMPERATURE: -40°C TO +105°C.
- PRODUCT NO.MATRIX:**

TE P H 1 \* 6 - 1 3 G 1 0 - \* \*



TE=Terminal Block

Product Series  
P=PCB Mount

Terminal Type  
H=Two piece Header

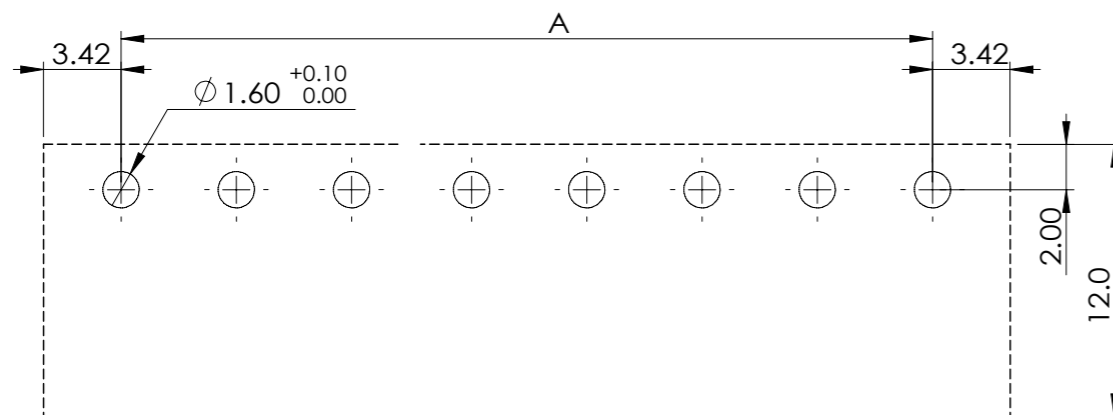
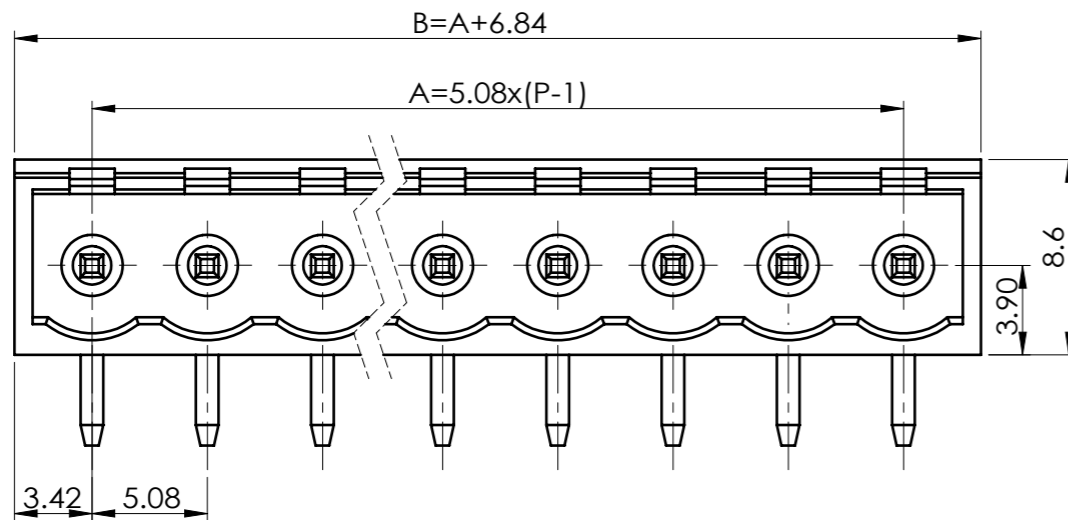
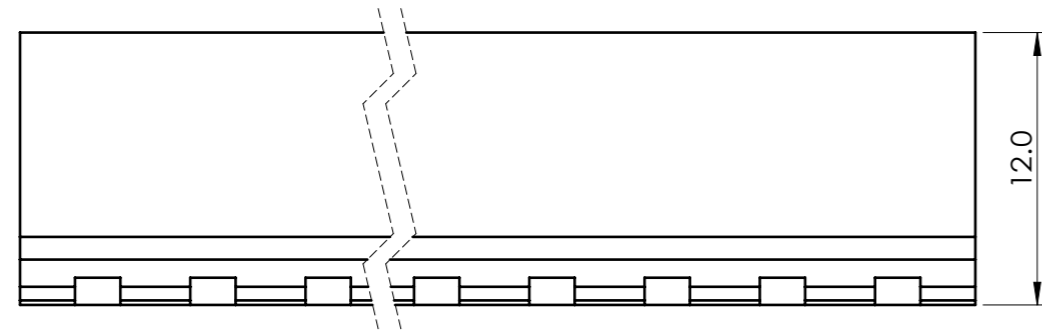
Row x Pole  
1=1R \*=Pole

Contact PITCH  
6=5.08mm

H=HALOGEN  
FREE

Package Code  
D=BOX

Extension Code



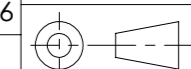
RECOMMENDED PCB LAYOUT

|      |    |    |    |    |    |    |    |    |    |    |    |    |
|------|----|----|----|----|----|----|----|----|----|----|----|----|
| Pole | 2  | 3  | 4  | 5  | 6  | 7  | 8  | 9  | 10 | 11 | 12 | 13 |
| CODE | 2  | 3  | 4  | 5  | 6  | 7  | 8  | 9  | A  | B  | C  | D  |
| Pole | 14 | 15 | 16 | 17 | 18 | 19 | 20 | 21 | 22 | 23 | 24 |    |
| CODE | E  | F  | G  | H  | J  | K  | L  | M  | N  | P  | R  |    |

|      |            |                        |      |
|------|------------|------------------------|------|
| 2    | Header pin | COPPER ALLOY           | P    |
| 1    | HOUSING    | THERMOPLASTIC UL 94V-0 | 1    |
| ITEM | PART NO.   | MATERIAL               | Q'TY |

|         |       |       |       |       |       |       |        |        |        |        |        |       |
|---------|-------|-------|-------|-------|-------|-------|--------|--------|--------|--------|--------|-------|
| P(Pole) | 2     | 3     | 4     | 5     | 6     | 7     | 8      | 9      | 10     | 11     | 12     | 13    |
| A       | 5.08  | 10.16 | 15.24 | 20.32 | 25.4  | 30.48 | 35.56  | 40.64  | 45.72  | 50.8   | 55.88  | 60.96 |
| B       | 11.92 | 17    | 22.08 | 27.06 | 32.24 | 37.32 | 42.4   | 47.48  | 52.56  | 57.64  | 62.72  | 67.8  |
| P(Pole) | 14    | 15    | 16    | 17    | 18    | 19    | 20     | 21     | 22     | 23     | 24     |       |
| A       | 66.04 | 71.12 | 76.2  | 81.28 | 86.36 | 91.44 | 96.52  | 101.6  | 106.68 | 111.76 | 116.84 |       |
| B       | 72.88 | 77.96 | 83.04 | 88.12 | 93.2  | 98.28 | 103.36 | 108.44 | 113.52 | 118.6  | 123.68 |       |

|   |         |          |                              |   |      |
|---|---------|----------|------------------------------|---|------|
| X. ±  | X° ± 1° | UNITS mm | NAME(INTENDED USE)           | <b>FOXCONN®</b><br>FOXCONN INTERCONNECT TECHNOLOGY LIMITED.   |      |
| .X ± 0.35   | .X° ±   | MAT'L    | Terminal block Conn.         |   |      |
| .XX ± 0.25  | .XX° ±  | N/A      | PART NO.(INTENDED USE)TITLE: | CLASS:<br><input type="checkbox"/> CONFIDENTIAL <input type="checkbox"/> SECRET <input checked="" type="checkbox"/> GENERAL |      |
| .XXX ±  | .XXX° ± | FINISH   | TEPH1*6-13G10-**             | TITLE: CUSTOMER DRAWING   |      |
| THESE DRAWINGS AND SPECIFICATIONS ARE THE PROPERTY OF FOXCONN INTERCONNECT CO., LTD. AND SHALL NOT BE REPRODUCED, COPIED OR USED IN ANY MANNER WITHOUT THE PRIOR WRITTEN CONSENT OF FOXCONN INTERCONNECT TECHNOLOGY LIMITED |         |          | APPD:                        | DWG NO.:  |      |
|   |         |          | Davy Bu 11/18'16             | 307-0000-1734   |      |
|   |         |          | CHKD: Johnny Tang 11/18'16   |   |      |
| DR: Lu Qing 11/18'16  |         |          | SCALE                        | SHEET   | REV. |
|   |         |          | N/A                          | 9/16  | AX2  |

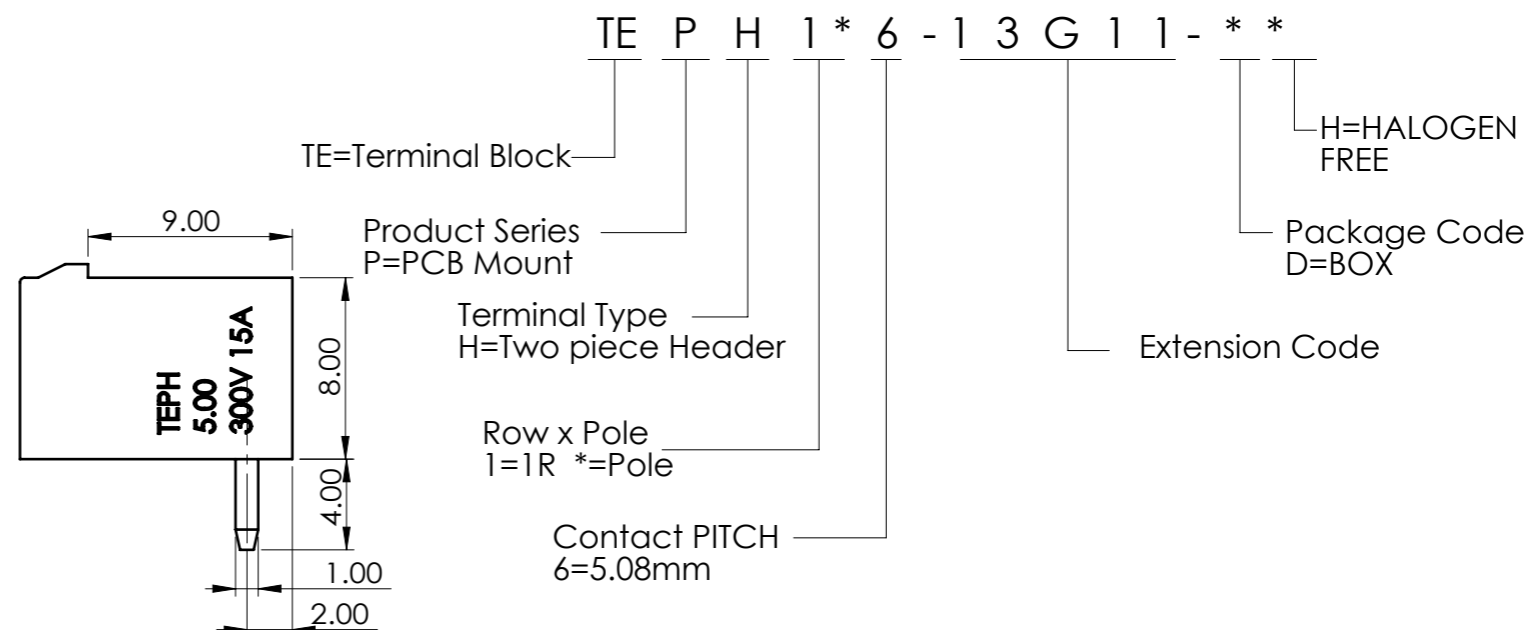
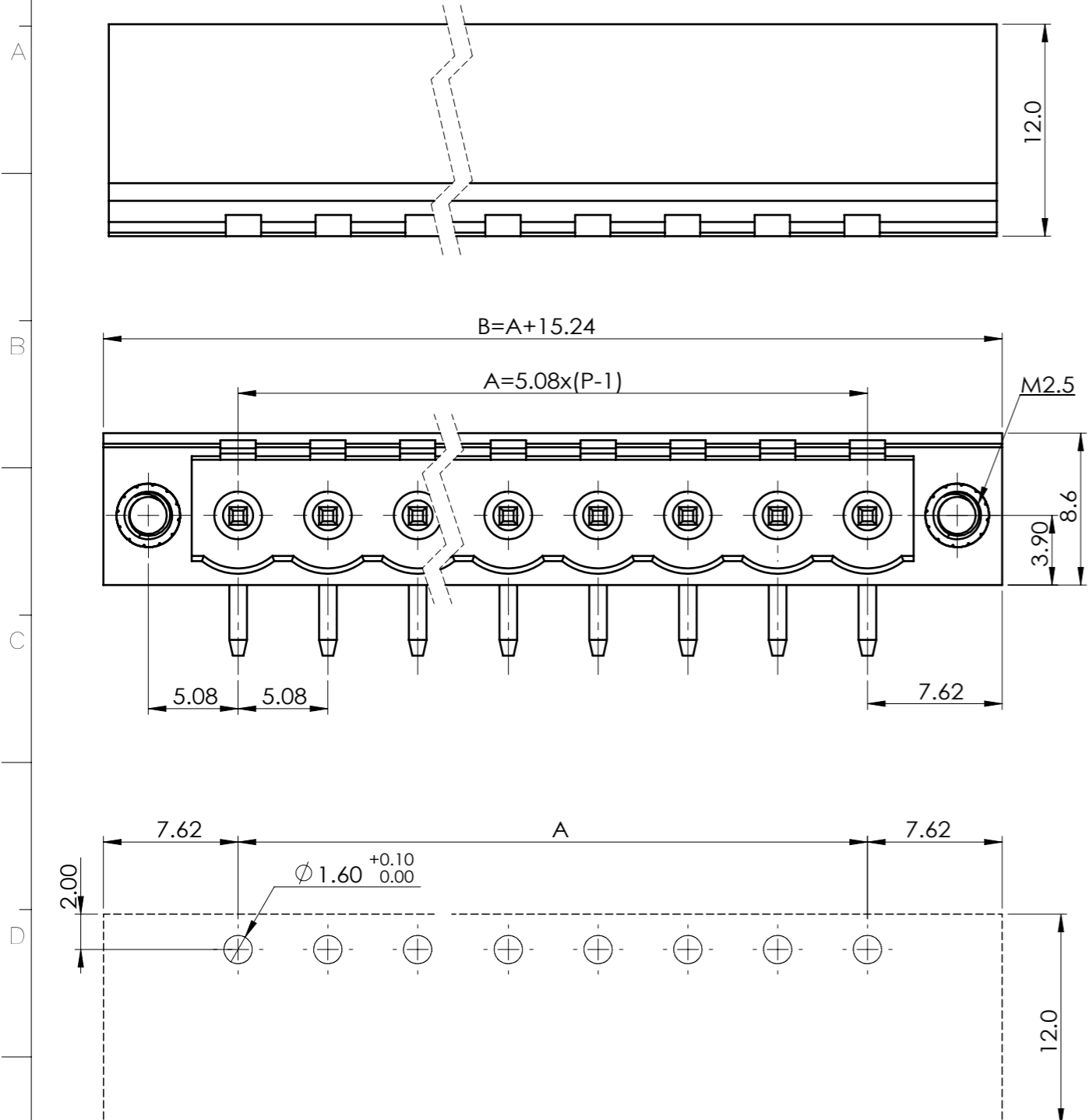


SOLIDWORKS GENERATED DRAWING;DON'T CHANGE BY HAND!

|      |          |       |
|------|----------|-------|
| REV. | ECN. NO. | APPD. |
|      |          |       |

**SPECIFICATION:**  
UL STANDARD

1. ELECTRICAL CHARACTERISTICS:
  - 1-1. DIELECTRIC WITHSTANDING VOLTAGE: 2000VAC AT 1 Minute.
  - 1-2. INSULATION RESISTANCE: 500 MEGAOHMS MIN. INITIAL.
2. PERFORMANCE:
  - 2-1. VOLTAGE RATING: 300V DC .
  - 2-2. CURRENT RATING:15 Amps.MAX. PER CONTACT .
  - 2-3. OPERATING TEMPERATURE: -40°C TO +105°C.
3. PRODUCT NO.MATRIX:



|      |    |    |    |    |    |    |    |    |    |    |    |    |
|------|----|----|----|----|----|----|----|----|----|----|----|----|
| Pole | 2  | 3  | 4  | 5  | 6  | 7  | 8  | 9  | 10 | 11 | 12 | 13 |
| CODE | 2  | 3  | 4  | 5  | 6  | 7  | 8  | 9  | A  | B  | C  | D  |
| Pole | 14 | 15 | 16 | 17 | 18 | 19 | 20 | 21 | 22 | 23 | 24 |    |
| CODE | E  | F  | G  | H  | J  | K  | L  | M  | N  | P  | R  |    |

|      |            |                        |      |
|------|------------|------------------------|------|
| 3    | NUT        | COPPER ALLOY           | 2    |
| 2    | Header pin | COPPER ALLOY           | P    |
| 1    | HOUSING    | THERMOPLASTIC UL 94V-0 | 1    |
| ITEM | PART NO.   | MATERIAL               | Q'TY |

**RECOMMENDED PCB LAYOUT**

|         |       |       |       |       |       |        |        |        |        |        |        |       |
|---------|-------|-------|-------|-------|-------|--------|--------|--------|--------|--------|--------|-------|
| P(Pole) | 2     | 3     | 4     | 5     | 6     | 7      | 8      | 9      | 10     | 11     | 12     | 13    |
| A       | 5.08  | 10.16 | 15.24 | 20.32 | 25.4  | 30.48  | 35.56  | 40.64  | 45.72  | 50.8   | 55.88  | 60.96 |
| B       | 20.32 | 25.4  | 30.48 | 35.56 | 40.64 | 45.72  | 50.8   | 55.88  | 60.96  | 66.04  | 71.12  | 76.2  |
| P(Pole) | 14    | 15    | 16    | 17    | 18    | 19     | 20     | 21     | 22     | 23     | 24     |       |
| A       | 66.04 | 71.12 | 76.2  | 81.28 | 86.36 | 91.44  | 96.52  | 101.6  | 106.68 | 111.76 | 116.84 |       |
| B       | 81.28 | 86.36 | 91.44 | 96.52 | 101.6 | 106.68 | 111.76 | 116.84 | 121.92 | 127    | 132.08 |       |

|   |         |          |                              |   |
|---|---------|----------|------------------------------|---|
| X. ±  | X° ± 1° | UNITS mm | NAME(INTENDED USE)           | <b>FOXCONN®</b><br>FOXCONN INTERCONNECT TECHNOLOGY LIMITED.   |
| .X ± 0.35   | .X° ±   | MAT'L    | Terminal block Conn.         |   |
| .XX ± 0.25  | .XX° ±  | N/A      | PART NO.(INTENDED USE)TITLE: | CLASS:<br><input type="checkbox"/> CONFIDENTIAL <input type="checkbox"/> SECRET <input checked="" type="checkbox"/> GENERAL |
| .XXX ±  | .XXX° ± | FINISH   | TEPH1*6-13G11-**             | TITLE: CUSTOMER DRAWING   |
| THESE DRAWINGS AND SPECIFICATIONS ARE THE PROPERTY OF FOXCONN INTERCONNECT CO., LTD. AND SHALL NOT BE REPRODUCED, COPIED OR USED IN ANY MANNER WITHOUT THE PRIOR WRITTEN CONSENT OF FOXCONN INTERCONNECT TECHNOLOGY LIMITED |         |          | APPD: Davy Bu 9/03'16        | DWG NO.: 307-0000-1734  |
|   |         |          | CHKD: Johnny Tang 9/03'16    | SCALE SHEET REV.<br>N/A 10/16 AX2   |
|   |         |          | DR: Lu Qing 9/03'16          |   |

SOLIDWORKS GENERATED DRAWING;DON'T CHANGE BY HAND!

|      |          |       |
|------|----------|-------|
| REV. | ECN. NO. | APPD. |
|      |          |       |

**SPECIFICATION:**  
UL STANDARD

1. ELECTRICAL CHARACTERISTICS:
  - 1-1. DIELECTRIC WITHSTANDING VOLTAGE: 2000VAC AT 1 Minute.
  - 1-2. INSULATION RESISTANCE: 500 MEGAOHMS MIN. INITIAL.
2. PERFORMANCE:
  - 2-1. VOLTAGE RATING: 300V DC .
  - 2-2. CURRENT RATING:15 Amps.MAX. PER CONTACT .
  - 2-3. OPERATING TEMPERATURE: -40°C TO +105°C.
3. PRODUCT NO.MATRIX:

TE P H 1 \* 6 - 1 3 G 1 3 - \* \*

TE=Terminal Block

Product Series  
P=PCB Mount

Terminal Type  
H=Two piece Header

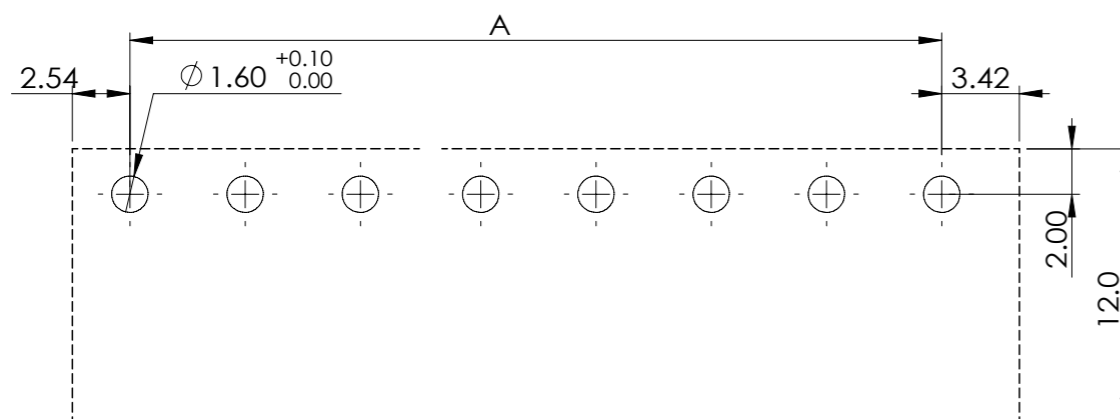
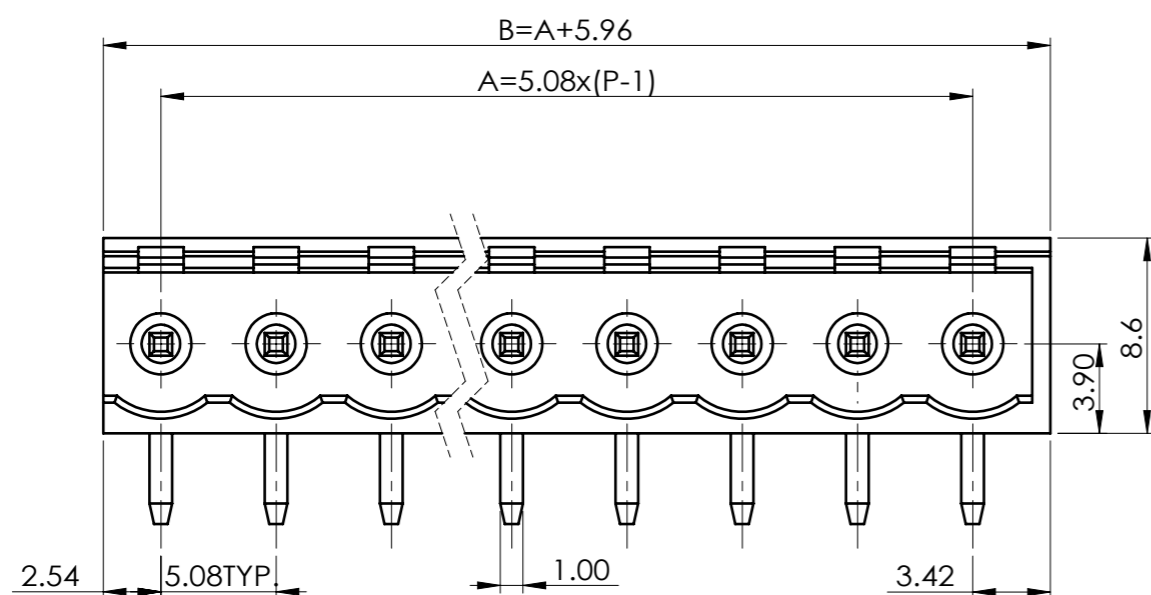
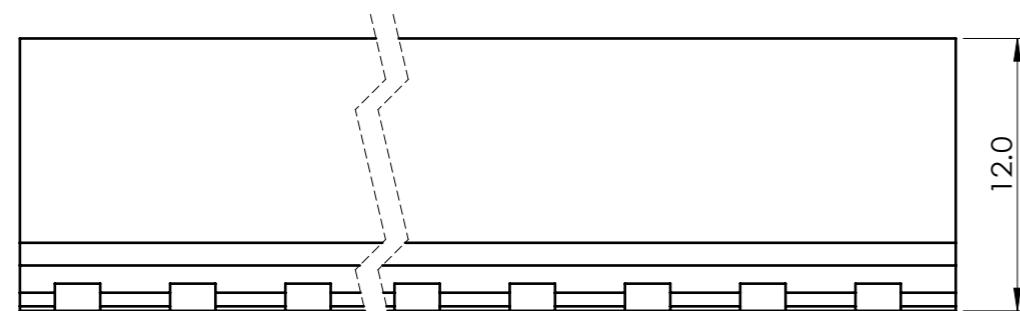
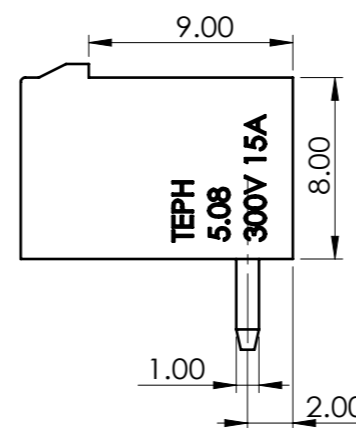
Row x Pole  
1=1R \*=Pole

Contact PITCH  
6=5.08mm

H=HALOGEN  
FREE

Package Code  
D=BOX

Extension Code

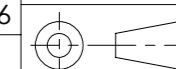


**RECOMMENDED PCB LAYOUT**

| P(Pole) | 2     | 3     | 4     | 5     | 6     | 7     | 8     | 9     | 10    | 11    | 12    |
|---------|-------|-------|-------|-------|-------|-------|-------|-------|-------|-------|-------|
| B       | 5.08  | 10.16 | 15.24 | 20.32 | 25.4  | 30.48 | 35.56 | 40.64 | 45.72 | 50.8  | 55.88 |
| A       | 11.04 | 16.12 | 21.2  | 26.28 | 31.36 | 36.44 | 41.52 | 46.6  | 51.68 | 56.76 | 61.84 |

| 2    | Header pin | COPPER ALLOY           | P    |
|------|------------|------------------------|------|
| 1    | HOUSING    | THERMOPLASTIC UL 94V-0 | 1    |
| ITEM | PART NO.   | MATERIAL               | Q'TY |

|   |         |          |                              |   |
|---|---------|----------|------------------------------|---|
| X. ±  | X° ± 1° | UNITS mm | NAME(INTENDED USE)           | <b>FOXCONN®</b><br>FOXCONN INTERCONNECT TECHNOLOGY LIMITED.<br>CLASS:<br><input type="checkbox"/> CONFIDENTIAL <input type="checkbox"/> SECRET <input checked="" type="checkbox"/> GENERAL<br>TITLE: CUSTOMER DRAWING<br>DWG NO.: 307-0000-1734 |
| .X ± 0.35   | .X° ±   | MAT'L    | Terminal block Conn.         |   |
| .XX ± 0.25  | .XX° ±  | N/A      | PART NO.(INTENDED USE)TITLE: |   |
| .XXX ±  | .XXX° ± | FINISH   | TEPH1*6-13G13-**             |   |
| THESE DRAWINGS AND SPECIFICATIONS ARE THE PROPERTY OF FOXCONN INTERCONNECT CO., LTD. AND SHALL NOT BE REPRODUCED, COPIED OR USED IN ANY MANNER WITHOUT THE PRIOR WRITTEN CONSENT OF FOXCONN INTERCONNECT TECHNOLOGY LIMITED |         |          | APPD:                        | Davy Bu 5/03'16   |
|   |         |          | CHKD:                        | Johnny Tang 5/03'16   |
|   |         |          | DR:                          | Lu Qing 5/03'16   |
|   |         | Q'TY     |                              |   |



|       |       |      |
|-------|-------|------|
| SCALE | SHEET | REV. |
| N/A   | 11/16 | AX1  |

SOLIDWORKS GENERATED DRAWING;DON'T CHANGE BY HAND!

| REV. | ECN. NO. | APPD. |
|------|----------|-------|
|      |          |       |

**SPECIFICATION:**

UL STANDARD

**1. ELECTRICAL CHARACTERISTICS:**

- 1-1. DIELECTRIC WITHSTANDING VOLTAGE: 2000VAC AT 1 Minute.
- 1-2. INSULATION RESISTANCE: 500 MEGAOHMS MIN. INITIAL.

**2. PERFORMANCE:**

- 2-1. VOLTAGE RATING: 300V DC .
- 2-2. CURRENT RATING:15 Amps.MAX. PER CONTACT .
- 2-3. OPERATING TEMPERATURE: -40°C TO +105°C.

**3. PRODUCT NO.MATRIX:**

TE P H 1\* 6 - 1 3 G 1 4 - \* \*

TE=Terminal Block

Product Series  
P=PCB Mount

Terminal Type  
H=Two piece Header

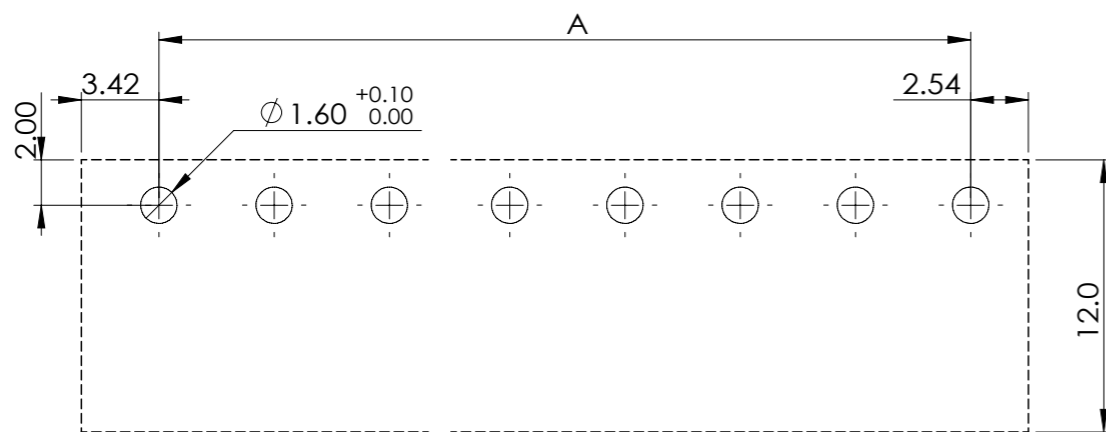
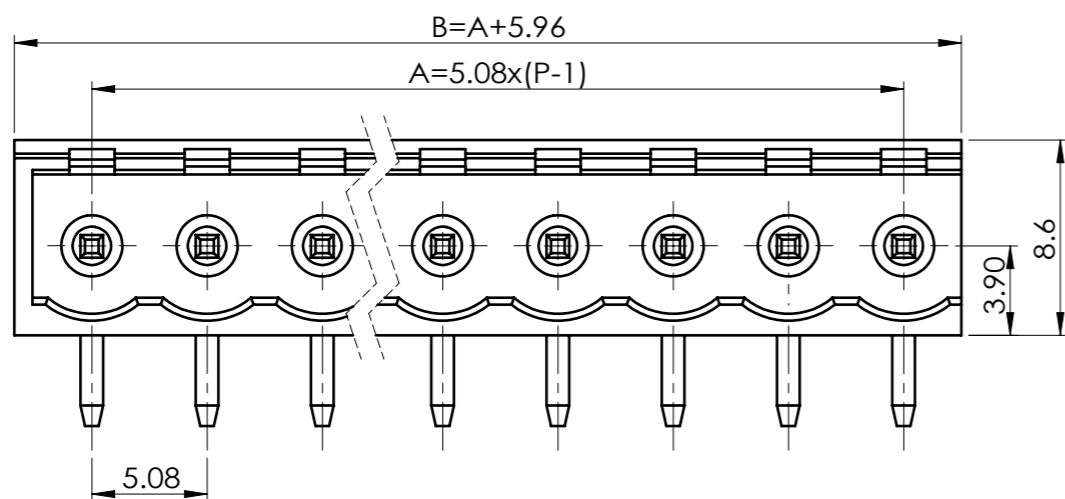
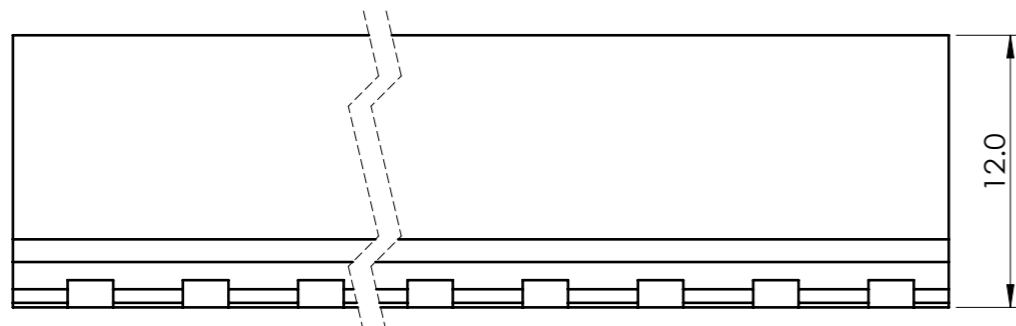
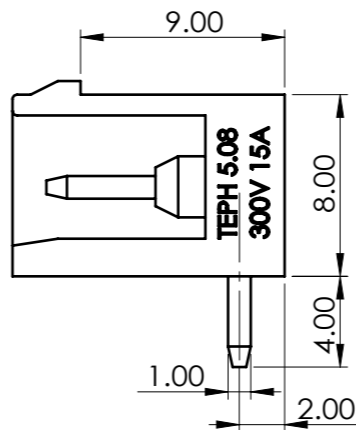
Row x Pole  
1=1R \*=Pole

Contact PITCH  
6=5.08mm

H=HALOGEN  
FREE

Package Code  
D=BOX

Extension Code



**RECOMMENDED PCB LAYOUT**

| P(Pole) | 2     | 3     | 4     | 5     | 6     | 7     | 8     | 9     | 10    | 11    | 12    |
|---------|-------|-------|-------|-------|-------|-------|-------|-------|-------|-------|-------|
| B       | 5.08  | 10.16 | 15.24 | 20.32 | 25.4  | 30.48 | 35.56 | 40.64 | 45.72 | 50.8  | 55.88 |
| A       | 11.04 | 16.12 | 21.2  | 26.28 | 31.36 | 36.44 | 41.52 | 46.6  | 51.68 | 56.76 | 61.84 |

| 2    | Header pin | COPPER ALLOY           | P    |
|------|------------|------------------------|------|
| 1    | HOUSING    | THERMOPLASTIC UL 94V-0 | 1    |
| ITEM | PART NO.   | MATERIAL               | Q'TY |

|   |         |          |                              |   |
|---|---------|----------|------------------------------|---|
| X. ±  | X° ± 1° | UNITS mm | NAME(INTENDED USE)           | <b>FOXCONN®</b><br>FOXCONN INTERCONNECT TECHNOLOGY LIMITED.<br>CLASS:<br><input type="checkbox"/> CONFIDENTIAL <input type="checkbox"/> SECRET <input checked="" type="checkbox"/> GENERAL<br>TITLE: CUSTOMER DRAWING<br>DWG NO.: 307-0000-1734 |
| .X ± 0.35   | .X° ±   | MAT'L    | Terminal block Conn.         |   |
| .XX ± 0.25  | .XX° ±  | N/A      | PART NO.(INTENDED USE)TITLE: |   |
| .XXX ±  | .XXX° ± | FINISH   | TEPH1*6-13G14-**             |   |
| THESE DRAWINGS AND SPECIFICATIONS ARE THE PROPERTY OF FOXCONN INTERCONNECT CO., LTD. AND SHALL NOT BE REPRODUCED, COPIED OR USED IN ANY MANNER WITHOUT THE PRIOR WRITTEN CONSENT OF FOXCONN INTERCONNECT TECHNOLOGY LIMITED |         |          | APPD: Davy Bu 5/03'16        | SCALE SHEET REV.  |
|   |         |          | CHKD: Johnny Tang 5/03'16    | N/A 12/16 AX1   |
|   |         |          | DR: Lu Qing 5/03'16          |   |

SOLIDWORKS GENERATED DRAWING;DON'T CHANGE BY HAND!

|      |          |       |
|------|----------|-------|
| REV. | ECN. NO. | APPD. |
|      |          |       |

**SPECIFICATION:**

UL STANDARD

**1. ELECTRICAL CHARACTERISTICS:**

- 1-1. DIELECTRIC WITHSTANDING VOLTAGE: 2000VAC AT 1 Minute.
- 1-2. INSULATION RESISTANCE: 500 MEGAOHMS MIN. INITIAL.

**2. PERFORMANCE:**

- 2-1. VOLTAGE RATING: 300V DC .
- 2-2. CURRENT RATING:15 Amps.MAX. PER CONTACT .
- 2-3. OPERATING TEMPERATURE: -40°C TO +105°C.

**3. PRODUCT NO.MATRIX:**

TE P H 1\* 6 - 1 3 G 1 5 - \* \*

TE=Terminal Block

Product Series  
P=PCB Mount

Terminal Type  
H=Two piece Header

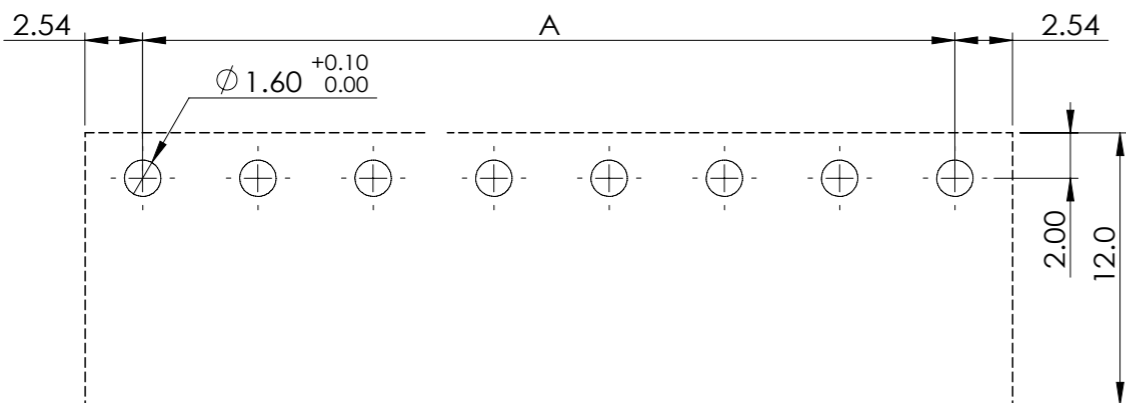
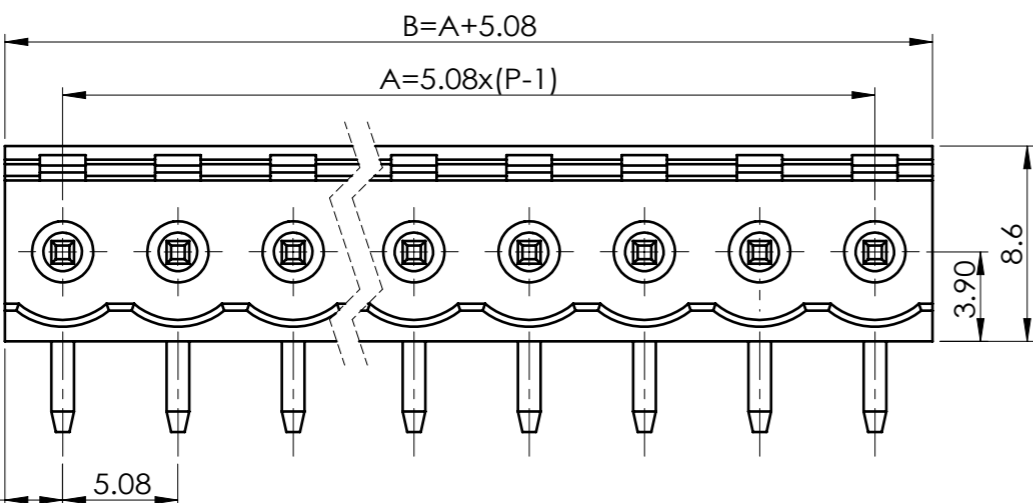
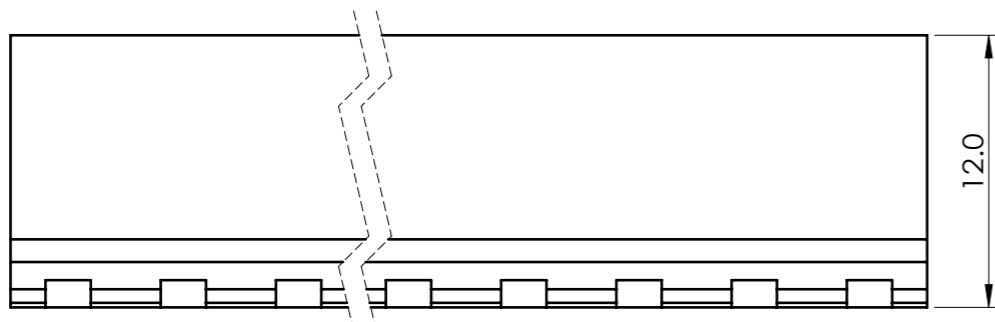
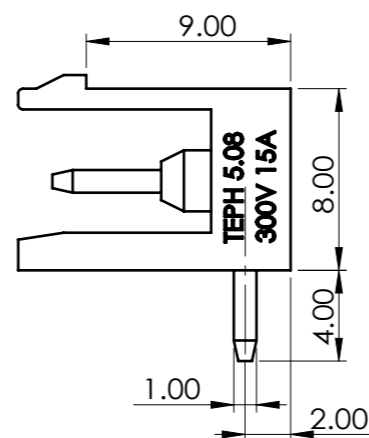
Row x Pole  
1=1R \*=Pole

Contact PITCH  
6=5.08mm

H=HALOGEN  
FREE

Package Code  
D=BOX

Extension Code



**RECOMMENDED PCB LAYOUT**

| P(Pole) | 2     | 3     | 4     | 5     | 6     | 7     | 8     | 9     | 10    | 11    | 12    |
|---------|-------|-------|-------|-------|-------|-------|-------|-------|-------|-------|-------|
| B       | 5.08  | 10.16 | 15.24 | 20.32 | 25.4  | 30.48 | 35.56 | 40.64 | 45.72 | 50.8  | 55.88 |
| A       | 10.16 | 15.24 | 20.32 | 25.4  | 30.48 | 35.56 | 40.64 | 45.72 | 50.8  | 55.88 | 60.96 |

| 2    | Header pin | COPPER ALLOY           | P    |
|------|------------|------------------------|------|
| 1    | HOUSING    | THERMOPLASTIC UL 94V-0 | 1    |
| ITEM | PART NO.   | MATERIAL               | Q'TY |

|  |         |          |                              |   |
|--|---------|----------|------------------------------|---|
| X. ±   | X° ± 1° | UNITS mm | NAME(INTENDED USE)           | <b>FOXCONN®</b><br>FOXCONN INTERCONNECT TECHNOLOGY LIMITED.<br>CLASS:<br><input type="checkbox"/> CONFIDENTIAL <input type="checkbox"/> SECRET <input checked="" type="checkbox"/> GENERAL<br>TITLE: CUSTOMER DRAWING<br>DWG NO.: 307-0000-1734 |
| .X ± 0.35  | .X° ±   | MAT'L    | Terminal block Conn.         |   |
| .XX ± 0.25   | .XX° ±  | N/A      | PART NO.(INTENDED USE)TITLE: |   |
| .XXX ±   | .XXX° ± | FINISH   | TEPH1*6-13G15-**             |   |
| <small>THESE DRAWINGS AND SPECIFICATIONS ARE THE PROPERTY OF FOXCONN INTERCONNECT CO., LTD. AND SHALL NOT BE REPRODUCED, COPIED OR USED IN ANY MANNER WITHOUT THE PRIOR WRITTEN CONSENT OF FOXCONN INTERCONNECT TECHNOLOGY LIMITED</small> |         |          | APPD: Davy Bu 5/03'16        | SCALE SHEET REV.  |
|  |         |          | CHKD: Johnny Tang 5/03'16    | N/A 13/16 AX1   |
|  |         |          | DR: Lu Qing 5/03'16          |   |

SOLIDWORKS GENERATED DRAWING;DON'T CHANGE BY HAND!

|      |            |         |
|------|------------|---------|
| REV. | ECN. NO.   | APPD.   |
| AX2  | 2016-11-18 | Davy Bu |

**SPECIFICATION:**

**UL STANDARD**

**1. ELECTRICAL CHARACTERISTICS:**

- 1-1. DIELECTRIC WITHSTANDING VOLTAGE: 2000VAC AT 1 Minute.
- 1-2. INSULATION RESISTANCE: 500 MEGAOHMS MIN. INITIAL.

**2. PERFORMANCE:**

- 2-1. VOLTAGE RATING: 300V DC .
- 2-2. CURRENT RATING:15 Amps.MAX. PER CONTACT .
- 2-3. OPERATING TEMPERATURE: -40°C TO +105°C.

**3. PRODUCT NO.MATRIX:**

TE P H 1\* 6 - 1 3 G 1 7 - D H

TE=Terminal Block

Product Series  
P=PCB Mount

Terminal Type  
H=Two piece Header

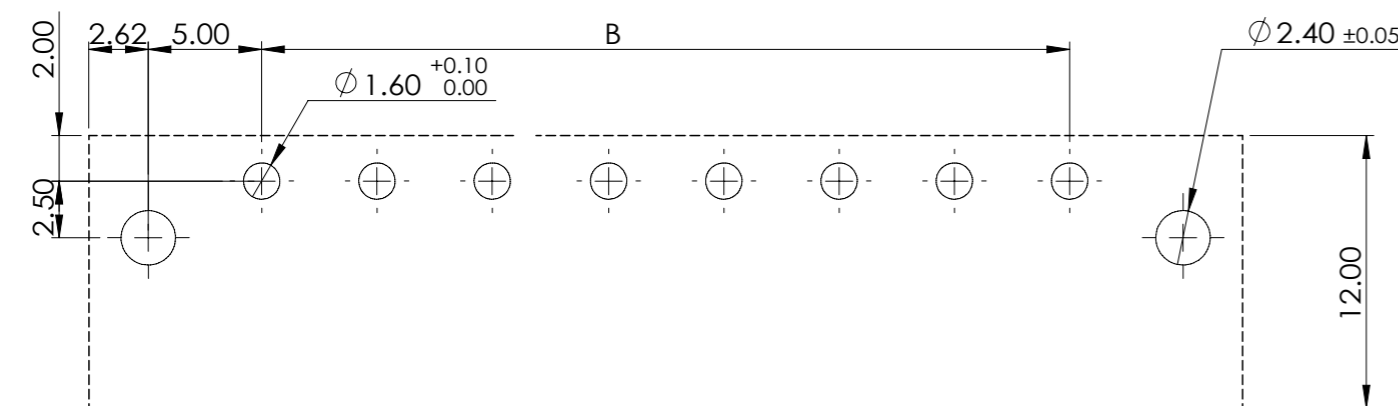
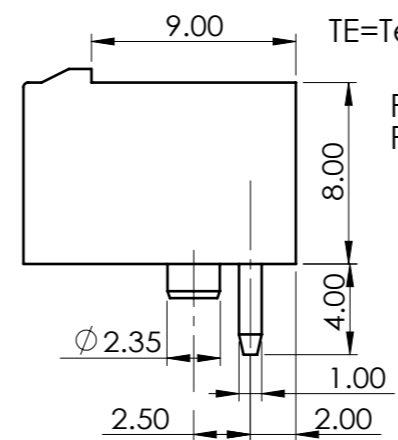
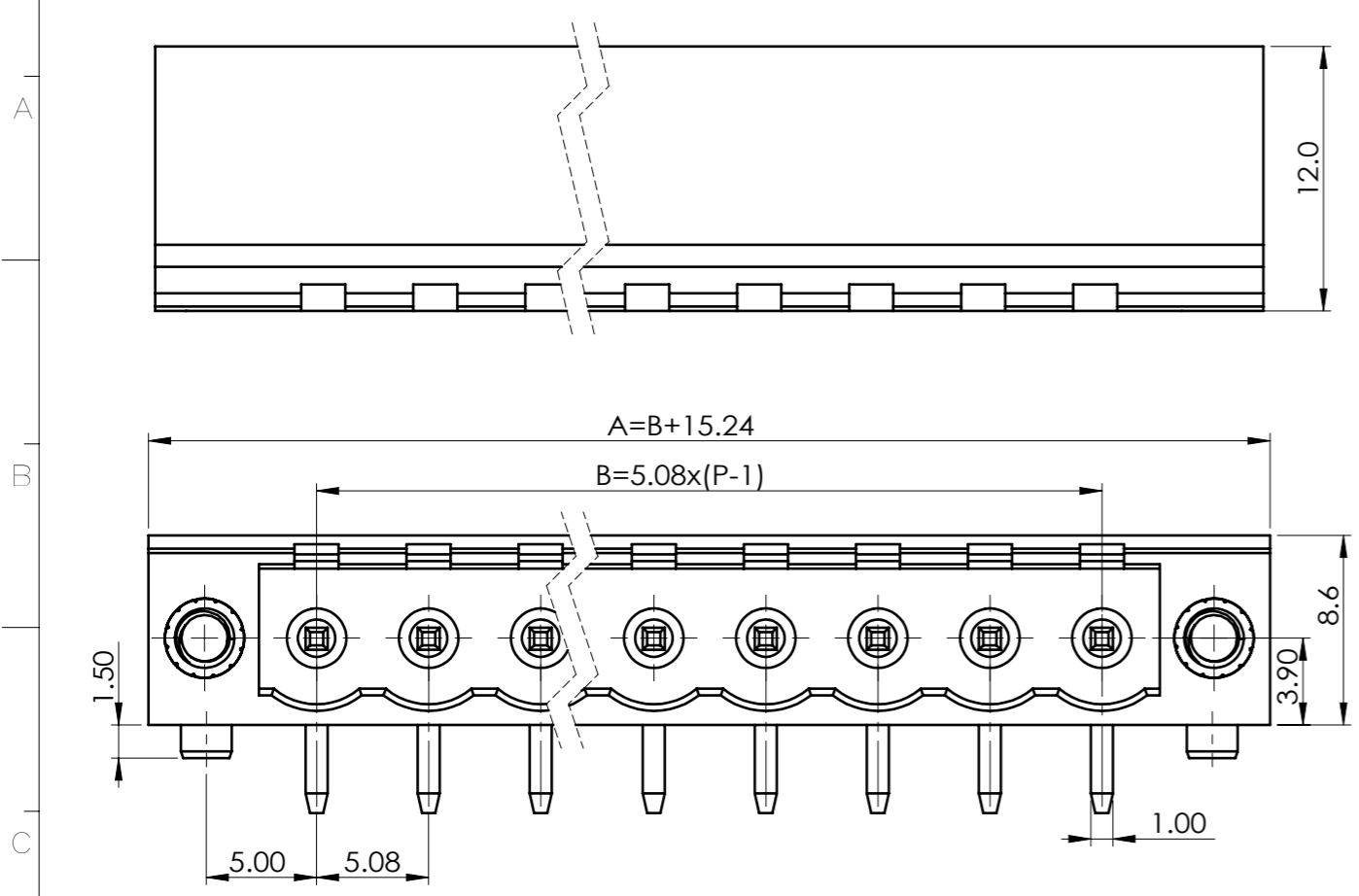
Row x Pole  
1=1R \*=Pole

Contact PITCH  
6=5.08mm

H=HALOGEN  
FREE

Package Code  
D=BOX

Extension Code



RECOMMENDED PCB LAYOUT

|      |    |    |    |    |    |    |    |    |    |    |    |    |
|------|----|----|----|----|----|----|----|----|----|----|----|----|
| Pole | 2  | 3  | 4  | 5  | 6  | 7  | 8  | 9  | 10 | 11 | 12 | 13 |
| CODE | 2  | 3  | 4  | 5  | 6  | 7  | 8  | 9  | A  | B  | C  | D  |
| Pole | 14 | 15 | 16 | 17 | 18 | 19 | 20 | 21 | 22 | 23 | 24 |    |
| CODE | E  | F  | G  | H  | J  | K  | L  | M  | N  | P  | R  |    |

|      |            |                        |      |
|------|------------|------------------------|------|
| 3    | NUT        | COPPER ALLOY           | 2    |
| 2    | Header pin | COPPER ALLOY           | P    |
| 1    | HOUSING    | THERMOPLASTIC UL 94V-0 | 1    |
| ITEM | PART NO.   | MATERIAL               | Q'TY |

|         |       |       |       |       |       |        |        |        |        |        |        |       |
|---------|-------|-------|-------|-------|-------|--------|--------|--------|--------|--------|--------|-------|
| P(Pole) | 2     | 3     | 4     | 5     | 6     | 7      | 8      | 9      | 10     | 11     | 12     | 13    |
| A       | 5.08  | 10.16 | 15.24 | 20.32 | 25.4  | 30.48  | 35.56  | 40.64  | 45.72  | 50.8   | 55.88  | 60.96 |
| B       | 20.32 | 25.4  | 30.48 | 35.56 | 40.64 | 45.72  | 50.8   | 55.88  | 60.96  | 66.04  | 71.12  | 76.2  |
| P(Pole) | 14    | 15    | 16    | 17    | 18    | 19     | 20     | 21     | 22     | 23     | 24     |       |
| A       | 66.04 | 71.12 | 76.2  | 81.28 | 86.36 | 91.44  | 96.52  | 101.6  | 106.68 | 111.76 | 116.84 |       |
| B       | 81.28 | 86.36 | 91.44 | 96.52 | 101.6 | 106.68 | 111.76 | 116.84 | 121.92 | 127    | 132.08 |       |

|   |                  |               |                              |   |
|---|------------------|---------------|------------------------------|---|
| X. ±  | X° ± 1°          | UNITS mm      | NAME(INTENDED USE)           | <b>FOXCONN®</b><br>FOXCONN INTERCONNECT TECHNOLOGY LIMITED.   |
| .X ± 0.35   | .X° ±            | MAT'L         | Terminal block Conn.         |   |
| .XX ± 0.25  | .XX° ±           | N/A           | PART NO.(INTENDED USE)TITLE: | CLASS:<br><input type="checkbox"/> CONFIDENTIAL <input type="checkbox"/> SECRET <input checked="" type="checkbox"/> GENERAL |
| .XXX ±  | .XXX° ±          | FINISH        | TEPH1*6-13G17-**             | TITLE: CUSTOMER DRAWING   |
| THESE DRAWINGS AND SPECIFICATIONS ARE THE PROPERTY OF FOXCONN INTERCONNECT CO., LTD. AND SHALL NOT BE REPRODUCED, COPIED OR USED IN ANY MANNER WITHOUT THE PRIOR WRITTEN CONSENT OF FOXCONN INTERCONNECT TECHNOLOGY LIMITED |                  |               | APPD:                        | DWG NO.:  |
|   |                  |               | Davy Bu 11/18'16             | 307-0000-1734   |
|   |                  |               | CHKD:                        | SCALE SHEET REV.  |
| DR:   | Lu Qing 11/18'16 | N/A 14/16 AX2 |                              |   |

SOLIDWORKS GENERATED DRAWING;DON'T CHANGE BY HAND!

|      |          |       |
|------|----------|-------|
| REV. | ECN. NO. | APPD. |
|      |          |       |

**SPECIFICATION:**  
UL STANDARD

**1. ELECTRICAL CHARACTERISTICS:**

- 1-1. DIELECTRIC WITHSTANDING VOLTAGE: 2000VAC AT 1 Minute.
- 1-2. INSULATION RESISTANCE: 500 MEGAOHMS MIN. INITIAL.

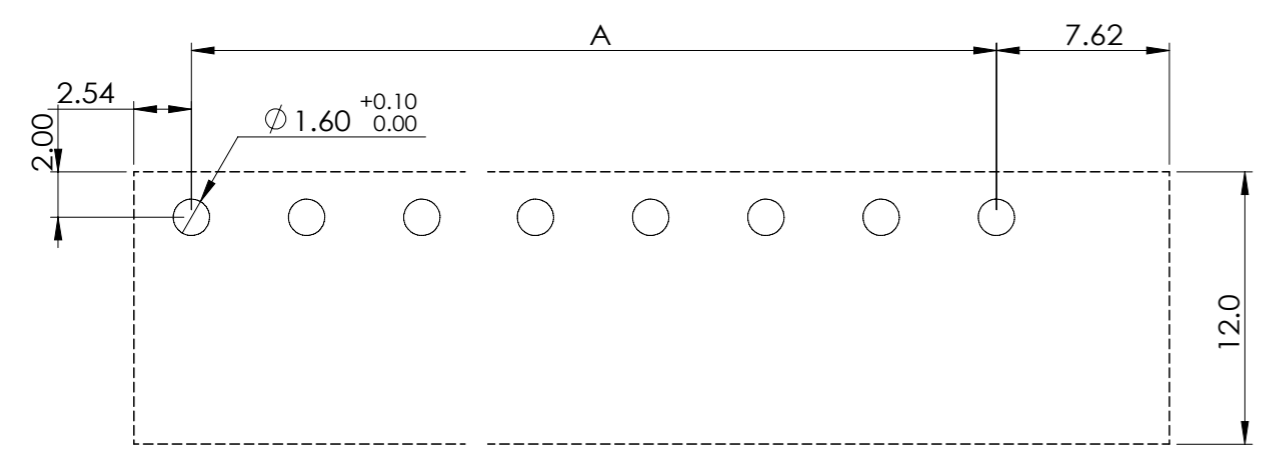
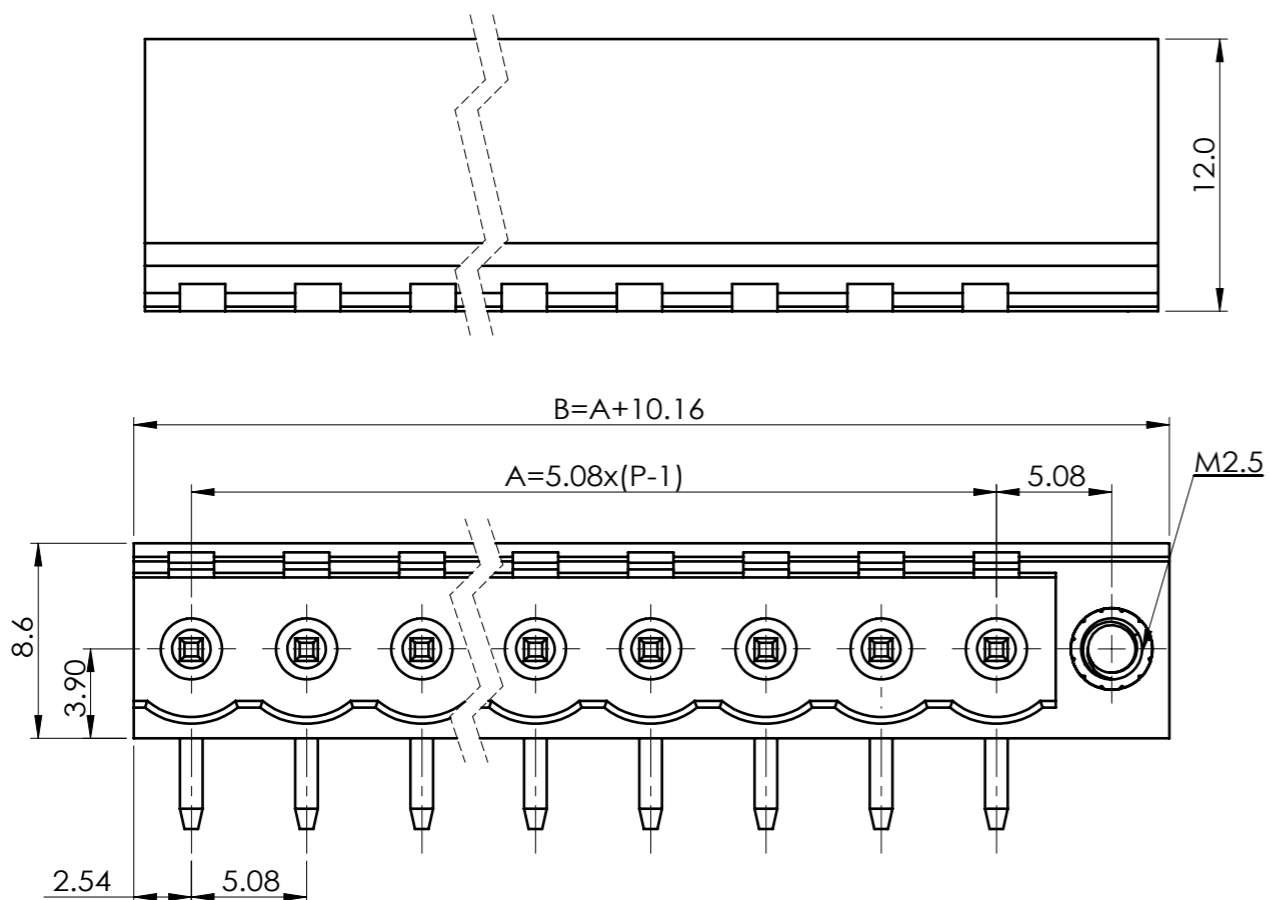
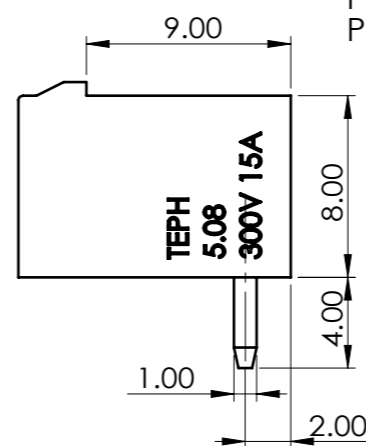
**2. PERFORMANCE:**

- 2-1. VOLTAGE RATING: 300V DC .
- 2-2. CURRENT RATING:15 Amps.MAX. PER CONTACT .
- 2-3. OPERATING TEMPERATURE: -40°C TO +105°C.

**3. PRODUCT NO.MATRIX:**

TE P H 1 \* 6 - 1 3 G 1 A - \* \*

TE=Terminal Block  
 Product Series P=PCB Mount  
 Terminal Type H=Two piece Header  
 Row x Pole 1=1R \*=Pole  
 Contact PITCH 6=5.08mm  
 H=HALOGEN FREE  
 Package Code D=BOX  
 Extension Code



RECOMMENDED PCB LAYOUT

| P(Pole) | 2     | 3     | 4     | 5     | 6     | 7     | 8     | 9     | 10    | 11    | 12    |
|---------|-------|-------|-------|-------|-------|-------|-------|-------|-------|-------|-------|
| B       | 5.08  | 10.16 | 15.24 | 20.32 | 25.4  | 30.48 | 35.56 | 40.64 | 45.72 | 50.8  | 55.88 |
| A       | 15.24 | 20.32 | 25.4  | 30.48 | 35.56 | 40.64 | 45.72 | 50.8  | 55.88 | 60.96 | 66.04 |

| 3    | NUT        | COPPER ALLOY           | 1    |
|------|------------|------------------------|------|
| 2    | Header pin | COPPER ALLOY           | P    |
| 1    | HOUSING    | THERMOPLASTIC UL 94V-0 | 1    |
| ITEM | PART NO.   | MATERIAL               | Q'TY |

|   |         |          |                              |   |
|---|---------|----------|------------------------------|---|
| X. ±  | X° ± 1° | UNITS mm | NAME(INTENDED USE)           | <b>FOXCONN®</b><br>FOXCONN INTERCONNECT TECHNOLOGY LIMITED.<br>CLASS:<br><input type="checkbox"/> CONFIDENTIAL <input type="checkbox"/> SECRET <input checked="" type="checkbox"/> GENERAL<br>TITLE: CUSTOMER DRAWING<br>DWG NO.: 307-0000-1734 |
| .X ± 0.35   | .X° ±   | MAT'L    | Terminal block Conn.         |   |
| .XX ± 0.25  | .XX° ±  | N/A      | PART NO.(INTENDED USE)TITLE: |   |
| .XXX ±  | .XXX° ± | FINISH   | TEPH1*6-13G1A-**             |   |
| THESE DRAWINGS AND SPECIFICATIONS ARE THE PROPERTY OF FOXCONN INTERCONNECT CO., LTD. AND SHALL NOT BE REPRODUCED, COPIED OR USED IN ANY MANNER WITHOUT THE PRIOR WRITTEN CONSENT OF FOXCONN INTERCONNECT TECHNOLOGY LIMITED |         |          | APPD: Davy Bu 5/03'16        | DR: Lu Qing 5/03'16   |
| Q'TY  |         |          | CHKD: Johnny Tang 5/03'16    | SCALE SHEET REV. N/A 15/16 AX1  |

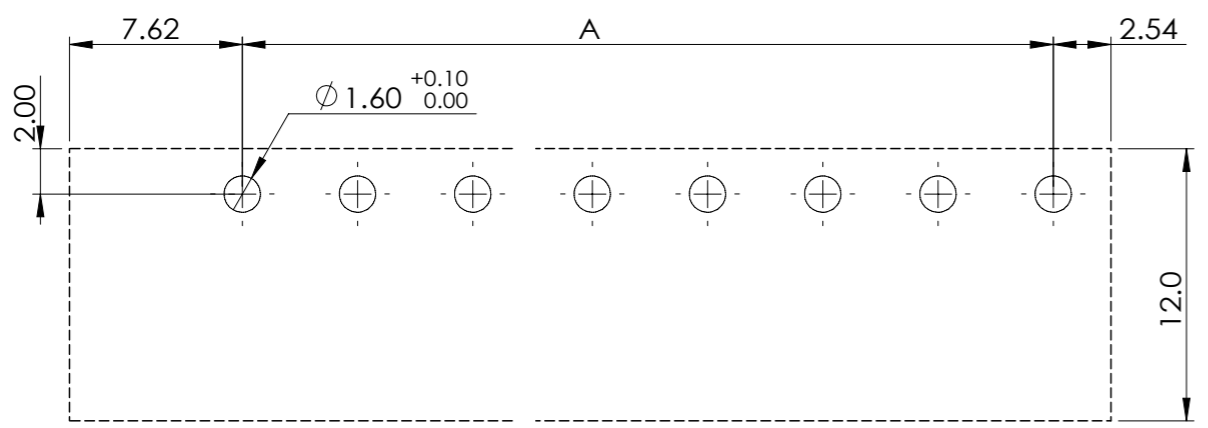
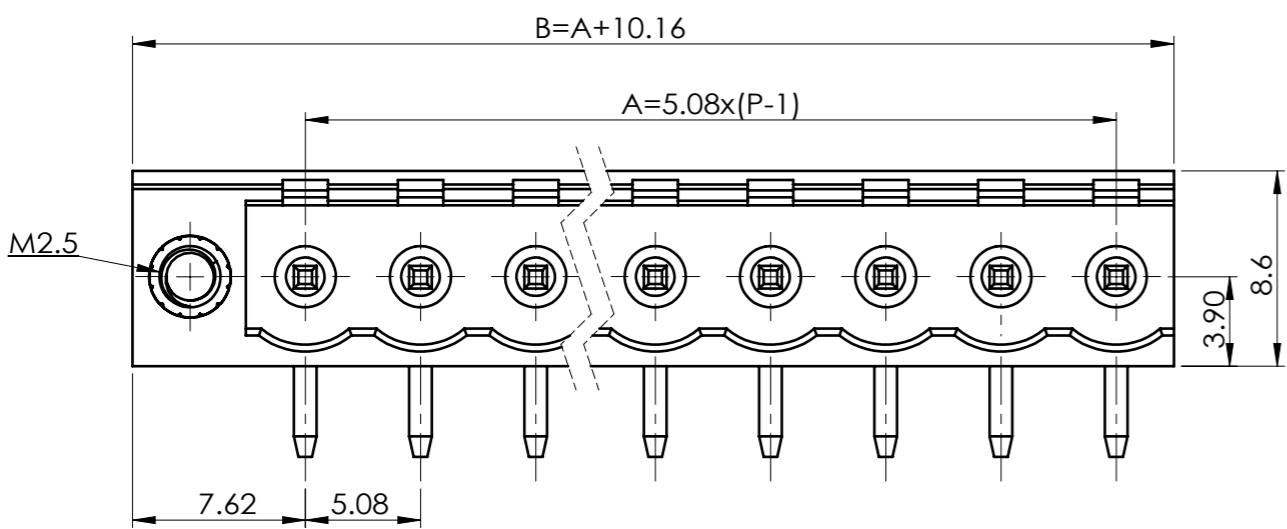
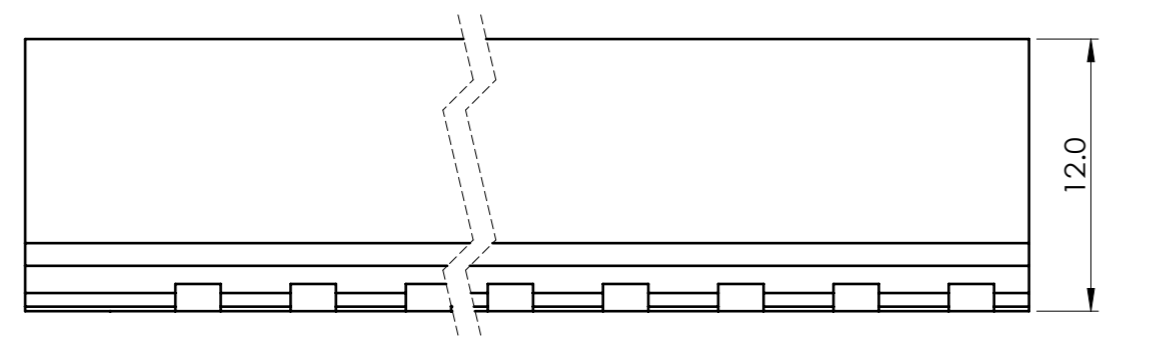
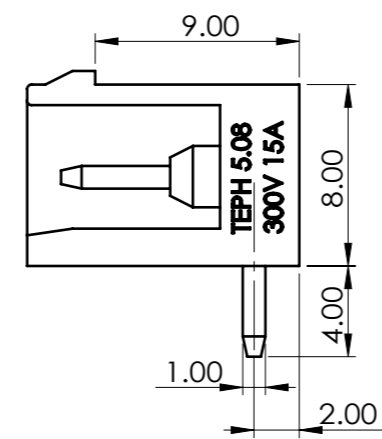
SOLIDWORKS GENERATED DRAWING;DON'T CHANGE BY HAND!

|      |          |       |
|------|----------|-------|
| REV. | ECN. NO. | APPD. |
|      |          |       |

**SPECIFICATION:**  
**UL STANDARD**  
 1. ELECTRICAL CHARACTERISTICS:  
 1-1. DIELECTRIC WITHSTANDING VOLTAGE: 2000VAC AT 1 Minute.  
 1-2. INSULATION RESISTANCE: 500 MEGAOHMS MIN. INITIAL.  
 2. PERFORMANCE:  
 2-1. VOLTAGE RATING: 300V DC .  
 2-2. CURRENT RATING: 15 Amps.MAX. PER CONTACT .  
 2-3. OPERATING TEMPERATURE: -40°C TO +105°C.  
 3. PRODUCT NO.MATRIX:

TE P H 1 \* 6 - 1 3 G 1 B - \* \*

TE=Terminal Block  
 Product Series  
 P=PCB Mount  
 Terminal Type  
 H=Two piece Header  
 Row x Pole  
 1=1R \*=Pole  
 Contact PITCH  
 6=5.08mm  
 H=HALOGEN FREE  
 Package Code  
 D=BOX  
 Extension Code



RECOMMENDED PCB LAYOUT

|         |       |       |       |       |       |       |       |       |       |       |       |
|---------|-------|-------|-------|-------|-------|-------|-------|-------|-------|-------|-------|
| P(Pole) | 2     | 3     | 4     | 5     | 6     | 7     | 8     | 9     | 10    | 11    | 12    |
| B       | 5.08  | 10.16 | 15.24 | 20.32 | 25.4  | 30.48 | 35.56 | 40.64 | 45.72 | 50.8  | 55.88 |
| A       | 15.24 | 20.32 | 25.4  | 30.48 | 35.56 | 40.64 | 45.72 | 50.8  | 55.88 | 60.96 | 66.04 |

|      |            |                        |      |
|------|------------|------------------------|------|
| 3    | NUT        | COPPER ALLOY           | 1    |
| 2    | Header pin | COPPER ALLOY           | P    |
| 1    | HOUSING    | THERMOPLASTIC UL 94V-0 | 1    |
| ITEM | PART NO.   | MATERIAL               | Q'TY |

|   |         |          |                              |   |
|---|---------|----------|------------------------------|---|
| X. ±  | X° ± 1° | UNITS mm | NAME(INTENDED USE)           | <b>FOXCONN®</b><br>FOXCONN INTERCONNECT TECHNOLOGY LIMITED.<br>CLASS:<br><input type="checkbox"/> CONFIDENTIAL <input type="checkbox"/> SECRET <input checked="" type="checkbox"/> GENERAL<br>TITLE: CUSTOMER DRAWING<br>DWG NO.: 307-0000-1734 |
| .X ± 0.35   | .X° ±   | MAT'L    | Terminal block Conn.         |   |
| .XX ± 0.25  | .XX° ±  | N/A      | PART NO.(INTENDED USE)TITLE: |   |
| .XXX ±  | .XXX° ± | FINISH   | TEPH1*6-13G1B-**             |   |
| THESE DRAWINGS AND SPECIFICATIONS ARE THE PROPERTY OF FOXCONN INTERCONNECT CO., LTD. AND SHALL NOT BE REPRODUCED, COPIED OR USED IN ANY MANNER WITHOUT THE PRIOR WRITTEN CONSENT OF FOXCONN INTERCONNECT TECHNOLOGY LIMITED |         |          | APPD: Davy Bu 5/03'16        | DR: Lu Qing 5/03'16   |
| Q'TY  |         |          | CHKD: Johnny Tang 5/03'16    | SCALE SHEET REV. N/A 16/16 AX1  |