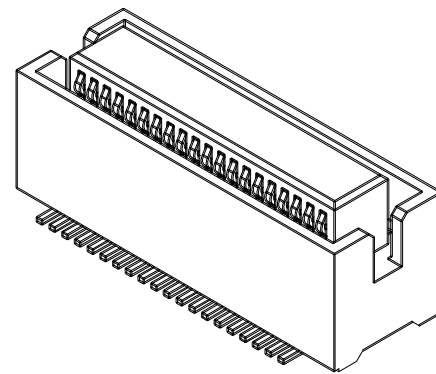
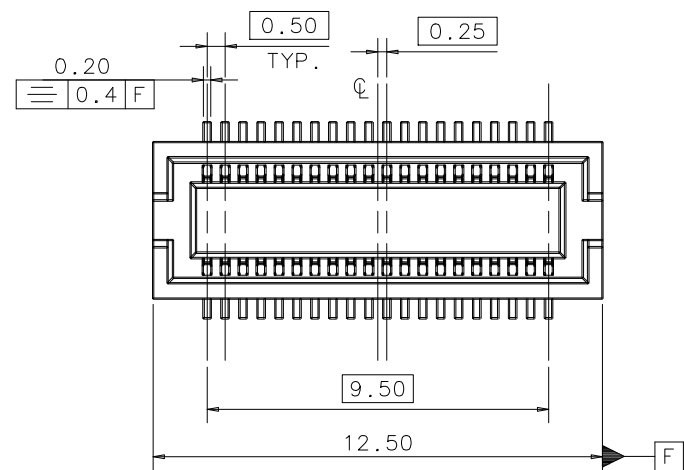


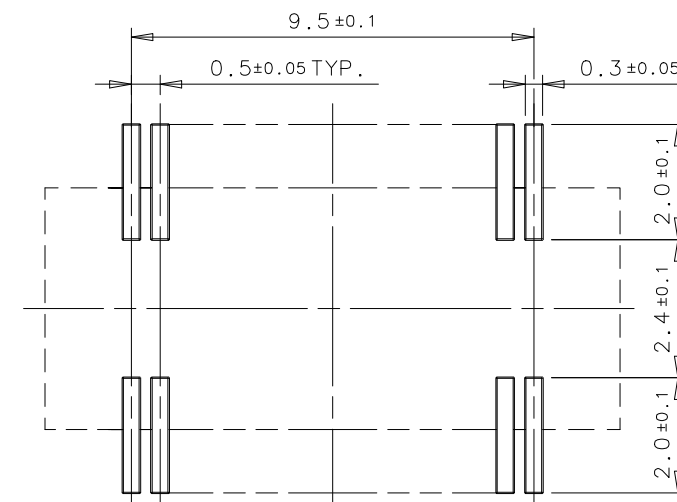
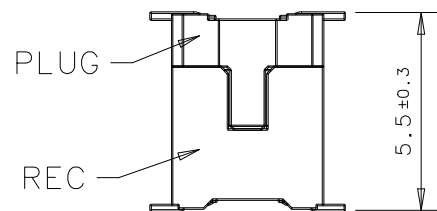
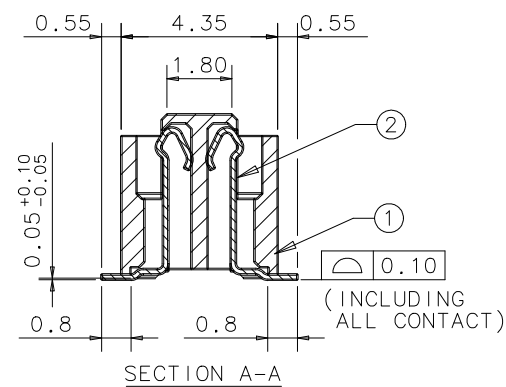
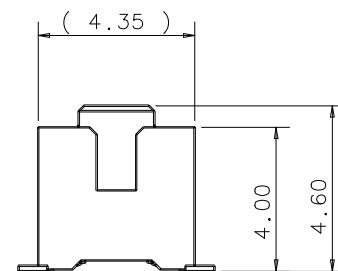
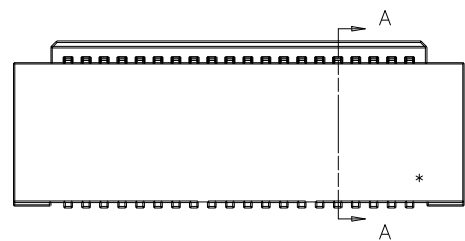
IDEAS GENERATED DRAWING. DON'T CHANGE BY HAND.

REV.	ECN. NO.	APPD.
A	HC-05-3237	Ryan Li



NOTE:

- DIMENSIONS SHALL BE INTERPRETED PER ANSI Y14.5M-1994.
- PHYSICAL:
 - CONTACT: COPPER ALLOY
 - HOUSING : LCP , BLACK,UL94V-0
 - CYCLE LIFE: MUST WITHSTAND 30 MATING CYCLES WITHOUT DETERIORATION IN PERFORMANCE.
 - MATING FORCE: 2.0 KGF MAX .
 - UNMATING FORCE: 0.4 KGF MIN .
- ELECTRICAL:
 - CONTACT RESISTANCE : 90 MILLIOHMS MAX. AFTER PHYSICAL AND ENVIRONMENTAL TESTING.
 - CURRENT RATING : 0.4 A PER PIN.
 - INSULATION RESISTANCE : 1000 MEGAOHMS MIN.
 - DIELECTRIC WITHSTANDING VOLTAGE: 500 VAC FOR 1 MINUTE.
- COPLANARITY OF CONTACT TAILS IS 0.10mm MAX.



RECOMMENDED PCB LAYOUT

QT510406-1 0 0 0 E-7 F

0.5PITCH BTB
RECEPTACLE
POS NO.
040: 40POS
CONTACT AREA PLATING
6: 10 u" Au MIN

LEAD FREE CODE
F: LEAD FREE

PACKAGE
7: TAPE & REEL

METAL EAR
0: W/O METAL EAR

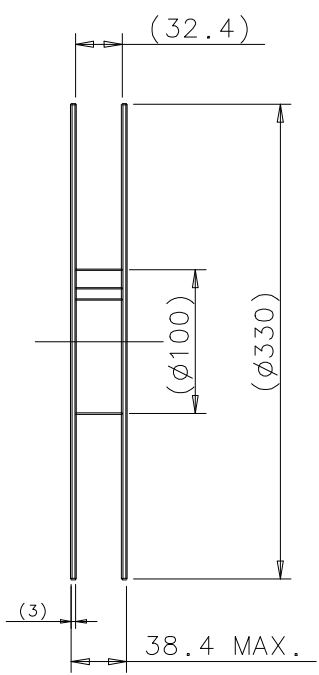
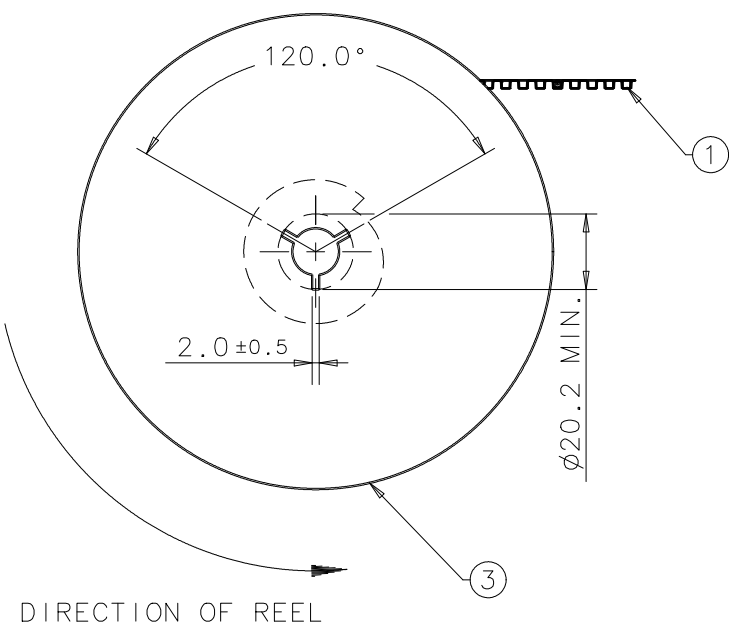
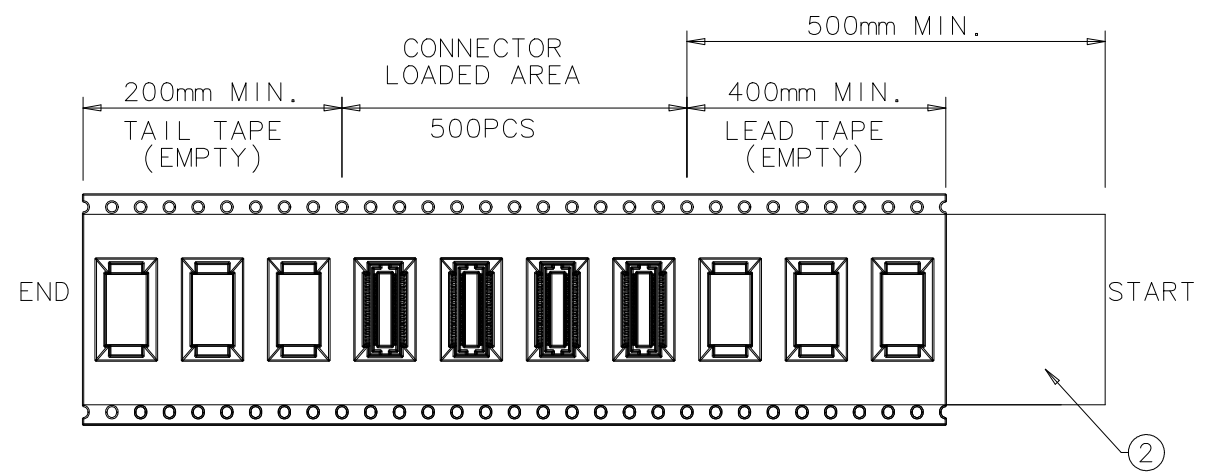
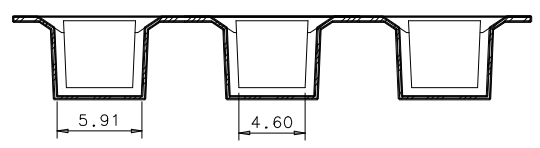
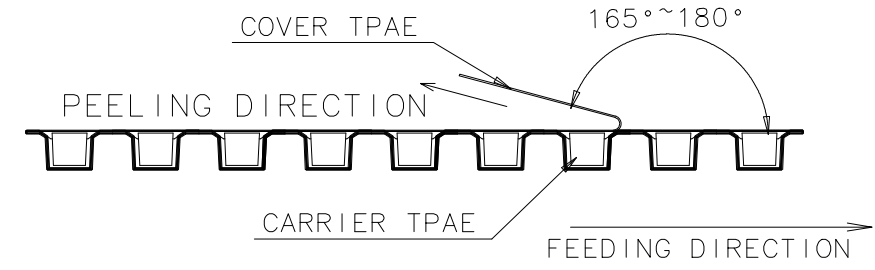
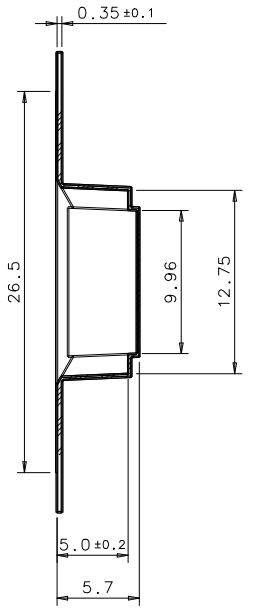
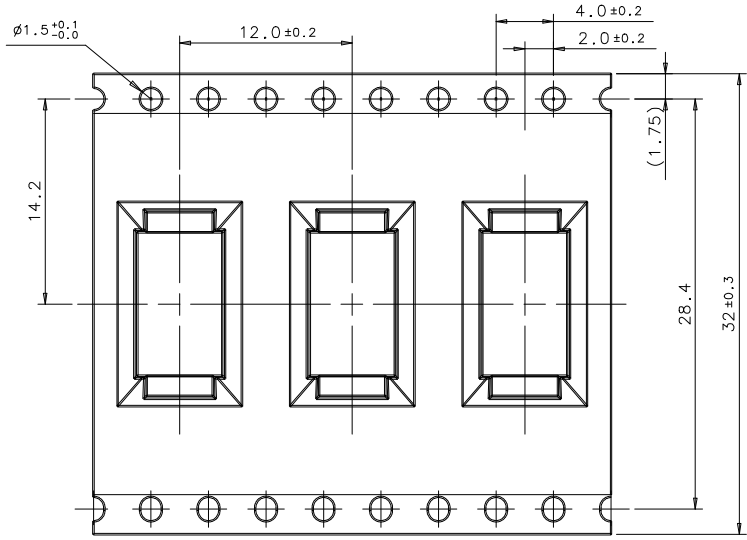
POST
0: W/O POST

HEIGHT
1: H=4.6mm

②	CONTACT	40	PHOSPHOR BRONZE, t=0.15	50u" MIN. NICKEL UNDER PLATING. 8u" MAX. GOLD PLATING ON SOLDER AREA. 10u" MIN. GOLD PLATING ON CONTACT AREA.			
①	HOUSING	1	LCP E6807LHF	POLYPLASTICS	E54705	UL94V-0	BLACK
ITEM	DESCRIPTION	QT'Y	MATERIAL	VENDOR	UL No.	GRADE	TREATMENT
X. ± 0.30	X. ° ±	UNITS	mm	NAME (INTENDED USE)		FOXCONN	
.X ± 0.25	.X ° ±	MAT'L		0.5Pitch 40POS BTB Receptacle Connector		HON HAI PRECISION IND. CO.,LTD. TAIPEI, TAIWAN, R.O.C.	
.XX ± 0.15	.XX ° ±	FINISH		PART NO. (INTENDED USE)		TITLE:	
.XXX ±	.XXX ° ±	Q'TY		QT510406-1000E-7F		CUSTOMER DRAWING	
THESE DRAWINGS AND SPECIFICATIONS ARE THE PROPERTY OF HON HAI PRECISION IND. CO., LTD. AND SHALL NOT BE REPRODUCED, COPIED OR USED IN ANY MANNER WITHOUT THE PRIOR WRITTEN CONSENT OF HON HAI PRECISION IND. CO., LTD.				APPD: Ryan Li 08/15'05		DWG NO.: 323-S000-1157	
				CHKD:		SCALE SHEET REV.	
				DR: Tony Xu 7/25'05		N/A 1/2 A	

IDEAS GENERATED DRAWING. DON'T CHANGE BY HAND.

REV.	ECN. NO.	APPD.
------	----------	-------



PACKING CAPACITY		
PCS/REEL	REEL/BOX	PCS/BOX
500	6	3000

ITEM	DESCRIPTION	MATERIAL
③	REEL	POLYSTYRENE
②	COVER TAPE	POLYESTER
①	CARRIER TAPE	POLYSTYRENE

X. ± 0.30	X.° ±	UNITS	mm	NAME (INTENDED USE) 0.5Pitch 40POS BTB Receptacle Connector	FOXCONN HON HAI PRECISION IND. CO.,LTD. TAIPEI, TAIWAN, R.O.C.		
.X ± 0.25	.X° ±	MAT'L					
.XX ± 0.15	.XX° ±			PART NO. (INTENDED USE) QT510406-1000E-7F	TITLE: CUSTOMER DRAWING		
.XXX ±	.XXX° ±	FINISH		APPD: Ryan Li 08/15'05	DWG NO.: 323-S000-1157		
THESE DRAWINGS AND SPECIFICATIONS ARE THE PROPERTY OF HON HAI PRECISION IND. CO., LTD. AND SHALL NOT BE REPRODUCED, COPIED OR USED IN ANY MANNER WITHOUT THE PRIOR WRITTEN CONSENT OF HON HAI PRECISION IND. CO., LTD.				Q'TY	CHKD:		
					DR: Tony Xu 7/25'05	SCALE	SHEET
				⊕	N/A	2/2	A