

**SPECIFICATIONS**

**Mechanical**

Contact Retention Force: 100gf min.  
Durability: 30 Cycles

**Electrical**

Current Rating: 0.5A DC  
Contact Resistance: 60mΩ max.  
Dielectrical Withstanding Voltage: 500V  
Insulation Resistance: 100MΩ min.

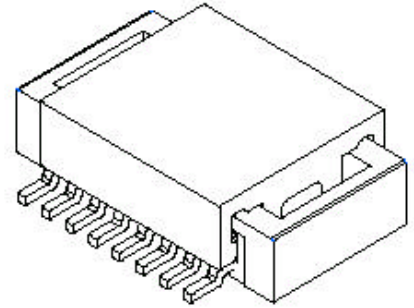
**Physical**

Housing: Thermoplastic, UL 94V-0 rated in Black Color  
Contact: Phosphor Bronze  
Plating: 60u" min. Nickel Base Plating  
10u" min. Gold Plating on Contact Area  
8u" min Gold Plating on Solder Tail Area  
Metal Ear: Copper Alloy  
Operating Temperature: -40°C to +85°C

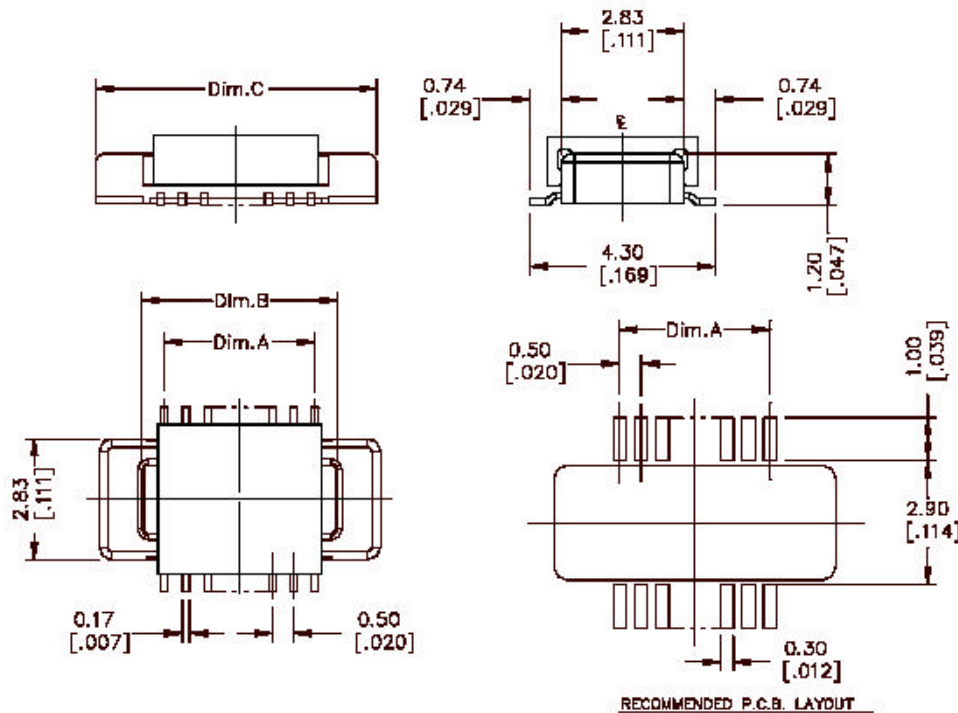
**Board to Board Connector**

QT50 Series  
0.50mm [.020"] Pitch  
Low Profile, Plug

Mated with QT51 Series  
Mated Height 1.50mm



**DRAWING**



**ORDERING INFORMATION**

