

**SPECIFICATIONS**

**Mechanical**

**Connector Mating Force** : 2.20 Kgf max.  
**Connector Unmating Force** : 2.00 Kgf max.  
**Durability** : 5,000 Cycles

**Electrical**

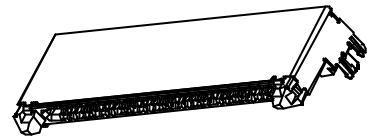
**Voltage Rating**: 150V  
**Current Rating**: 0.5A  
**Contact Resistance**: Initial 80mW max., R 20mW max.  
**Dielectric Withstanding Voltage**: 500V AC/1 min.  
**Insulation Resistance**: 100MW

**Physical**

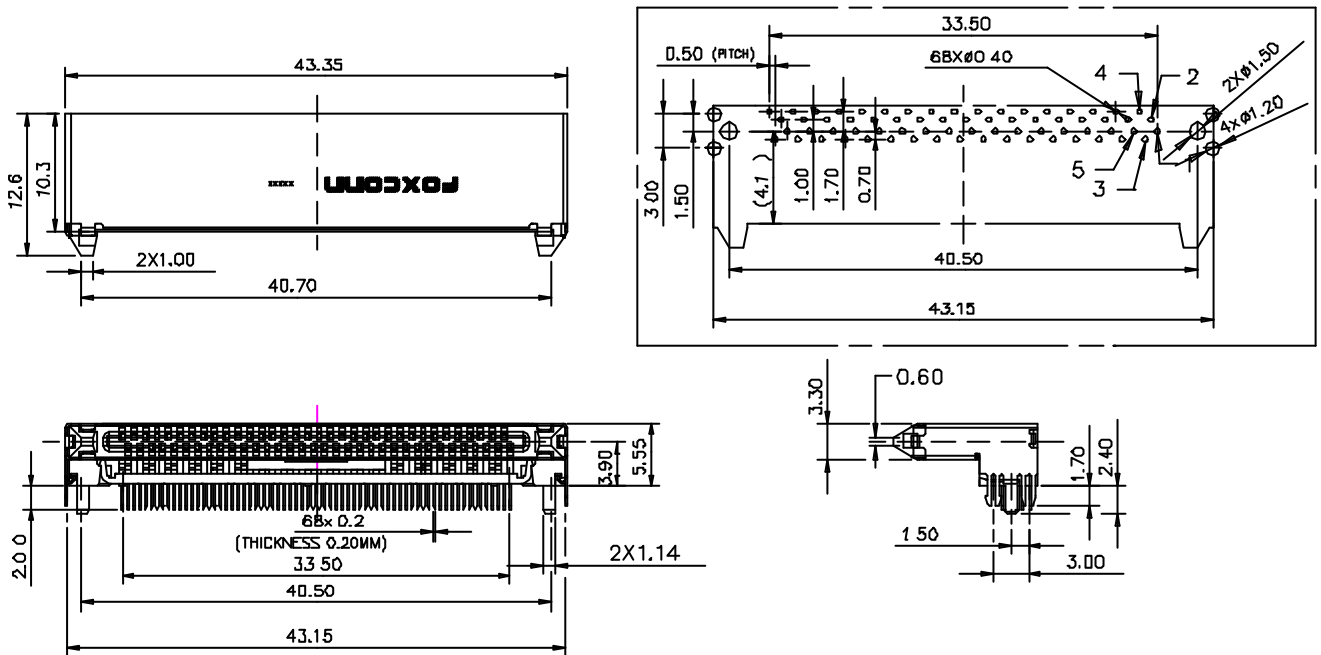
**Housing**: Thermoplastic, UL 94V-0 rated in Natural Color  
**Contact**: Copper alloy  
**Plating**: See "ORDERING INFORMATION"  
**Metal Spring & Solder Pad**: Copper alloy  
**Operating Temperature**: -55 to +85

**Docking Connector**

**QL Series**  
**R/A, T/H, Rec. Type**  
**1.00mm Pitch**  
**68Pos.**



**DRAWING**



**ORDERING INFORMATION**

**PRODUCT NO. :** QL 1 1 3 4 3 - A 6 B 2 - F R

QL=Family Code  
Terminal Type  
1=Right/Angle  
Contact Design Type  
1=Receptacle  
No. of Contact Position  
34=34 Pos/Row, Total 68Pos.  
Contact Area Plating  
3=30u" Gold

Tape Reel & Lead Free  
Extension Code  
6=Parallel 2 Rows  
A=1.00mm Pitch