

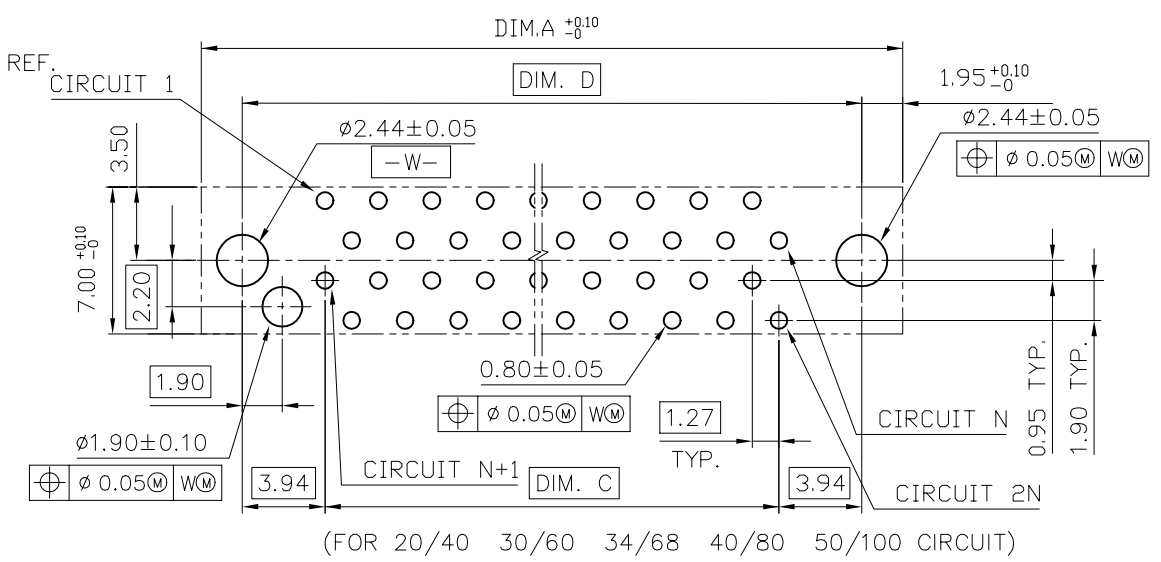
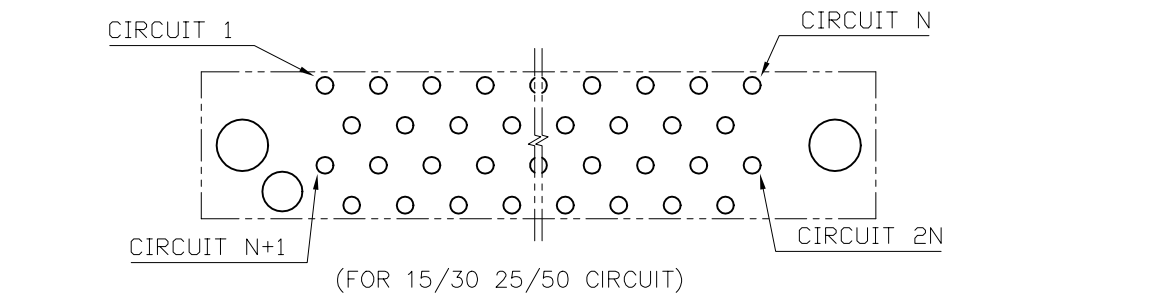
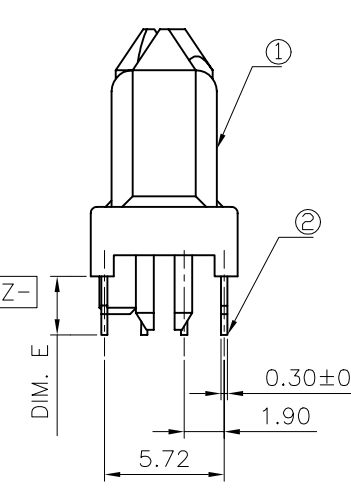
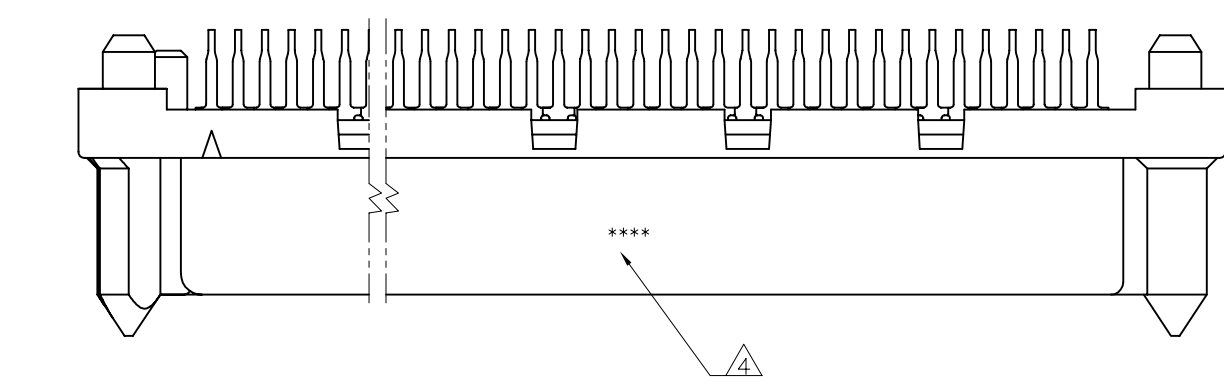
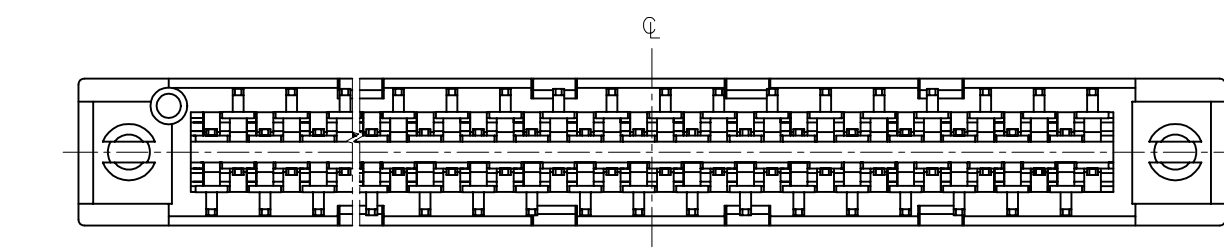
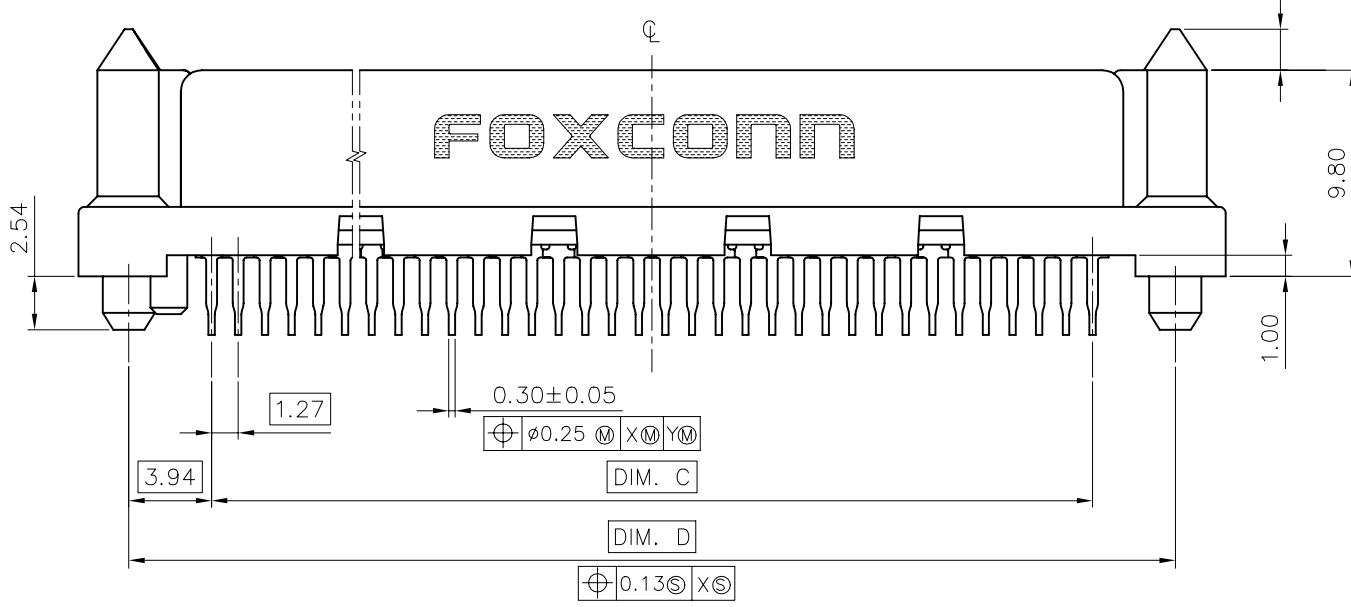
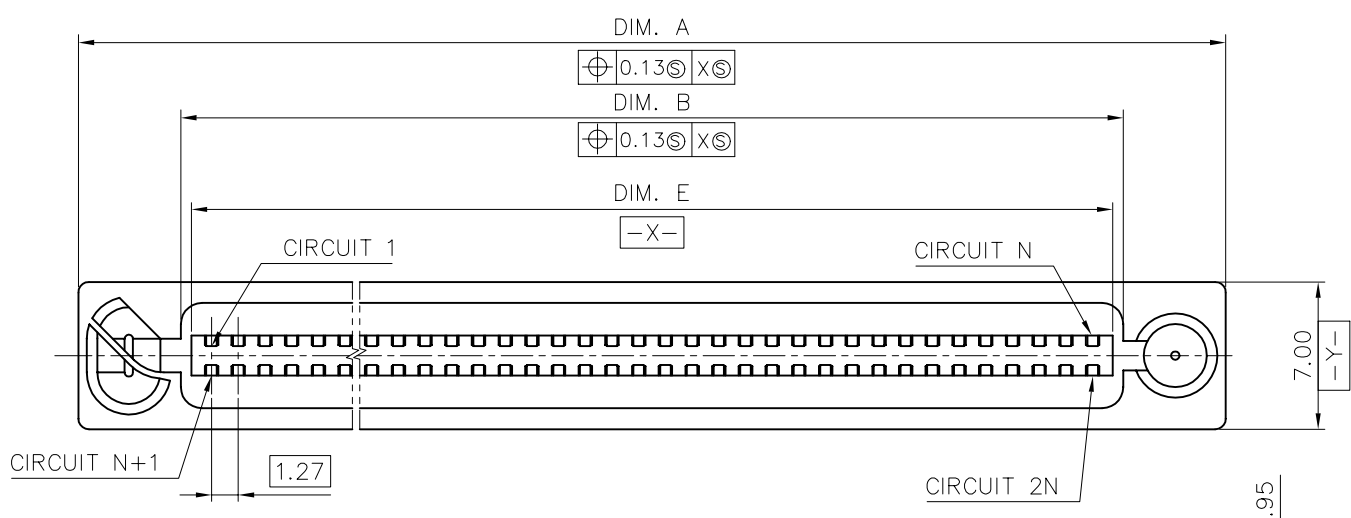
REV.	ECN. NO.	NO.	APPD.
A	IC020835		Yihsin Chen 3/19,02
B	BC0384316		Yihsin Chen 11/26,03
C	HC043113		Ady Zhou 5/22'04

- NOTES:
- DIMENSION SHALL BE INTERPRETED PER ANSI Y14.5M-1994
 - MATERIAL OF ① AND ② ARE SHOWN ON DRAWING NO. 303-0000-767.
 - PRODUCT SPEC PLEASE SEE DRAWING 303-0300-099
 - DATE CODE: **** WAS PRINTED AT THE APPROXIMATE LOCATION AS SHOWN

THE DEFINITION OF DATE CODE PLEASE REFER TO
FOXCONN DOC. "EMB-D00-073"

△ PRODUCT NO. MATRIX : LZ25 * * * - D * 4

- TAIL LENGTH:
- 1: DIM. L=1.78 mm
 - 2: DIM. L=2.80 mm
 - 3: DIM. L=3.40 mm
 - © E: DIM. L=3.94 mm
- MATING AREA PLATING:
- 15: 15/30 POS.
 - 20: 20/40 POS.
 - 25: 25/50 POS.
 - 30: 30/60 POS.
 - 34: 34/68 POS.
 - 40: 40/80 POS.
 - 50: 50/100 POS.
- 3: 30u" GOLD
6. HARMFUL MATERIAL CONTROL PLEASE FOLLOW DOC. NO. "EPI12".



RECOMMENDED PC BOARD

LZ25***-D14	1.78±0.25
LZ25***-D24	2.80±0.25
LZ25***-D64	3.40±0.25
LZ25***-DE4	3.94±0.13
PART NO.	DIM. E

②	P/N	POS.	N	DIM. A	DIM. B	DIM. C	DIM. D	DIM. E
LZ2550*-D*4	50/100	50	74.90	65.15	62.23	70.10	64.14	
LZ2540*-D*4	40/80	40	62.20	52.45	49.53	57.40	51.44	
LZ2534*-D*4	34/68	34	54.58	44.83	41.91	49.78	43.82	
LZ2530*-D*4	30/60	30	49.50	39.75	36.83	44.70	38.74	
LZ2525*-D*4	25/50	25	43.15	33.40	30.48	38.35	32.39	
LZ2520*-D*4	20/40	20	36.80	27.05	24.13	32.00	26.04	
LZ2515*-D*4	15/30	15	30.45	20.70	17.78	25.65	19.69	

X.±	X°.±	UNITS	mm	NAME(INTENDED USE)	FOXCONN			
.X± 0.30	.X°.±	MAT'L		FBBI	HON HAI PRECISION IND. CO.,LTD. TAIPEI, TAIWAN, R.O.C.			
.XX± 0.25	.XX°.±	FINISH		PART NO.(INTENDED USE) LZ25 SERIES	TITLE: CUSTOMER DWG. RECEPTACLE, VERTICAL T/H			
.XXX±	.XXX°.±	Q'TY		APPD: Yihsin Chen 3/19,02	DWG NO.: 303-0100-359			
THESE DRAWINGS AND SPECIFICATIONS ARE THE PROPERTY OF HON HAI PRECISION IND. CO., LTD. AND SHALL NOT BE REPRODUCED, COPIED OR USED IN ANY MANNER WITHOUT THE PRIOR WRITTEN CONSENT OF HON HAI PRECISION IND. CO., LTD.				CHKD: Wolfe Liu 3/14'02		SCALE	SHEET	REV.
				DR: Jerry Wu 3/5/01		N/A	1/1	C