

SPECIFICATIONS

FBI Connector

Mechanical

Contact Retention Force: 0.454Kg min.
Mating Force: 90 g max. Per Contact Pair
Unmating Force: 15g min. Per Contact Pair
Durability: 500 Cycles

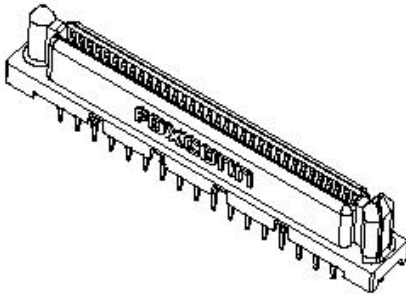
LZ25 Series
Vertical, T/H Type
Receptacle, Blind Mate
1.27mm [.050"] Pitch

Electrical

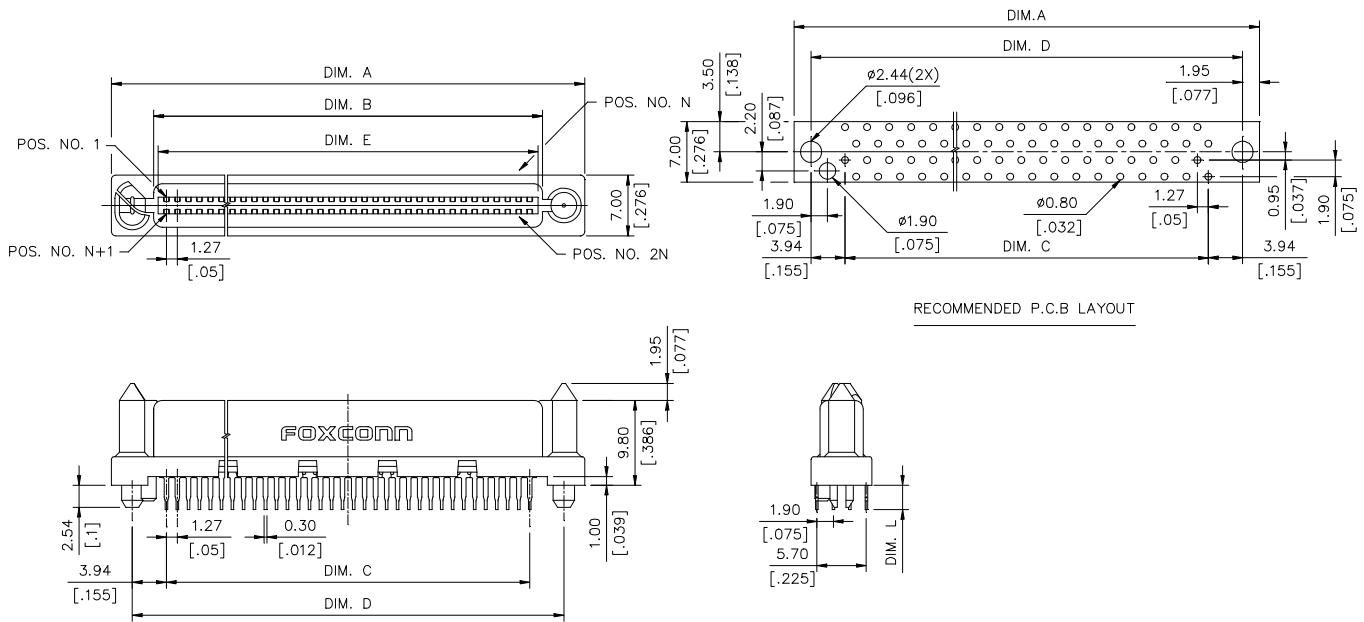
Voltage Rating: 30V
Current Rating: 1.0A .
Contact Resistance: 30mW max.
Dielectric Withstanding Voltage: 500V AC
Insulation Resistance: 1000MW min.

Physical

Housing: Thermoplastic, UL 94V-0 rated in Black Color
Contact: Phosphor Bronze
Plating: See "ORDERING INFORMATION"
Operating Temperature: -40 to +105

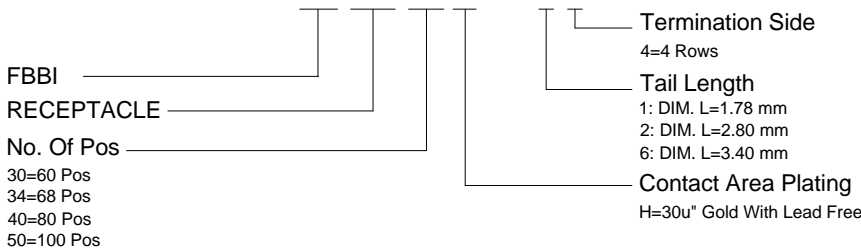


DRAWING



ORDERING INFORMATION

PRODUCT NO.: LZ 25 * * H - D * 4



LZ2550H-D*4	100	74.90 [2.616]	65.15 [2.565]	62.23 [2.450]	70.10 [2.760]	64.14 [2.515]
LZ2540H-D*4	80	62.20 [1.615]	52.45 [1.951]	49.53 [1.950]	57.40 [2.260]	51.44 [2.015]
LZ2534H-D*4	68	54.58 [2.616]	44.83 [1.765]	41.91 [1.650]	49.78 [1.960]	43.82 [1.715]
LZ2530H-D*4	60	49.50 [1.949]	39.75 [1.565]	36.83 [1.450]	44.70 [1.760]	38.74 [1.515]
P/N	POS.	DIM. A	DIM.B	DIM.C	DIM.D	DIM. E