

SPECIFICATIONS

Mechanical

Contact Retention Force: 250g min.
Mating Force: 100 g max. Per Contact Pair
Unmating Force: 15g min. Per Contact Pair
Durability: 500 Cycles

Electrical

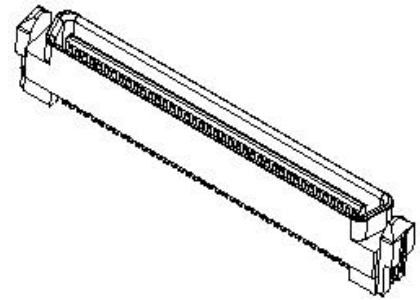
Voltage Rating: 30V
Current Rating: 1.0A .
Contact Resistance: 30mW max.
Dielectric Withstanding Voltage: 500V AC
Insulation Resistance: 1000MW min.

Physical

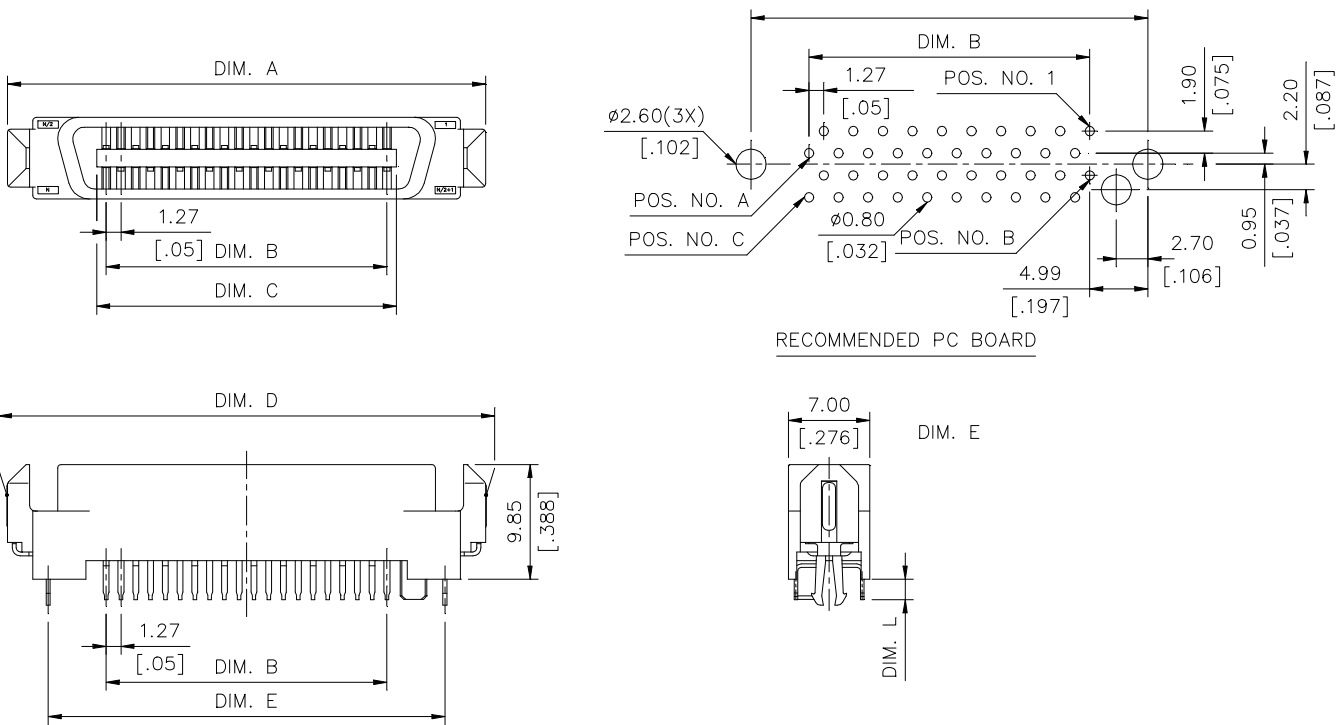
Housing: Thermoplastic, UL 94V-0 rated in Black Color
Contact: Phosphor Bronze
Plating: See "ORDERING INFORMATION"
Metal Hold Down: Phosphor Bronze
Operating Temperature: -40 to +105

SCA-2 Connector

LS15 Series
Vertical, T/H, Type
PLUG
1.27mm [.050"] Pitch



DRAWING



ORDERING INFORMATION

PRODUCT NO.: LS 15 * * * - A 3 4

SCA-2 _____
 PLUG _____
 Vertical, T/H _____
 No. Of Pos _____
 40=80 Pos
 20=40 Pos

Tail Length
 3: DIM. L=3.18 mm
Contact Area Plating
 3=30u" Gold
 H=30u" Gold With Lead Free

LS1540-A34	40	80	40	41	80	66.40 [2.616]	49.53 [1.951]	51.17 [2.016]	66.50 [2.62]	59.51 [2.345]
LS1520-A34	20	40	20	21	40	41.00 [1.615]	24.13 [.951]	25.77 [1.015]	41.10 [1.619]	34.11 [1.344]
PN	POS.	N	A	B	C	DIM. A	DIM B	DIM C	DIM D	DIM E