

REV.	ECN. NO.	APPD.
A	BC06772513	Jake W.Y
B	BC077020301	Yusan
C	BC077054586	Yusan
D	BC077062175	Yusan

NOTES: UNLESS OTHERWISE SPECIFIED

1. DIMENSION SHALL BE INTERPRETED PER ASME Y14.5M-1994
2. SPECIFICATION OF PRODUCTS ARE SHOWN ON DRAWING 303-0300-1680
3. MATERIALS OF PARTS ARE SHOWN ON DRAWING 303-0500-1680
4. PRODUCT NO. MATRIX : LD21 *** - M 8 ***

POSITION No.
 26 = 26 POS.
 50 = 50 POS.
 68 = 68 POS.

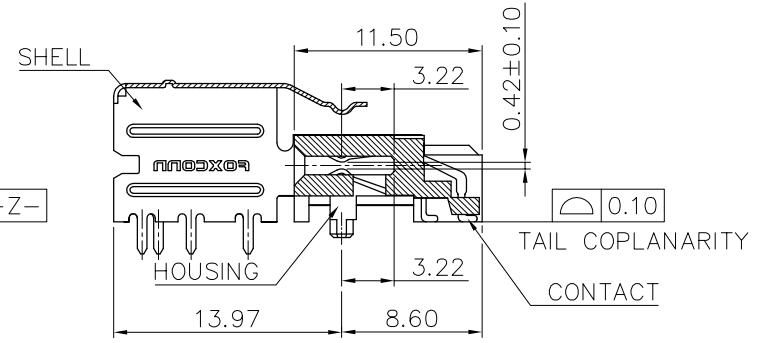
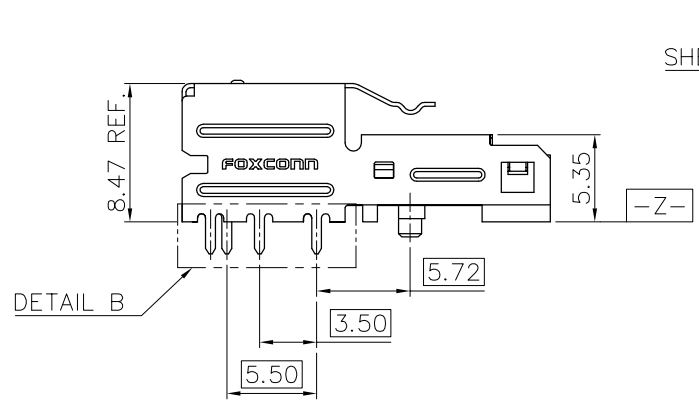
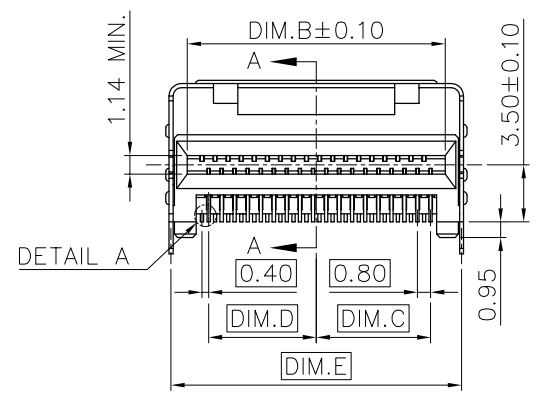
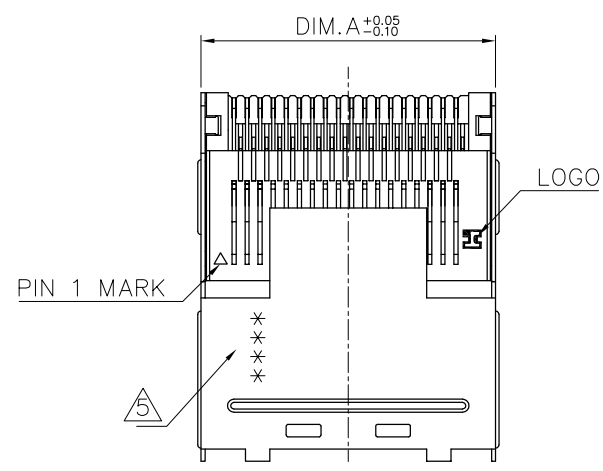
PACKING TYPE
 NONE = TRAY
 6 = TAPE&REEL

HOUSING MATERIAL
 NONE(L) = LCP,COLOR BLACK

MODIFY CODE(1,2,3,4...)

PLATING CODE
 H = 30u" GOLD PLATING WITH RoHS COMPLIANCE
 V = 15u" GOLD PLATING WITH RoHS COMPLIANCE

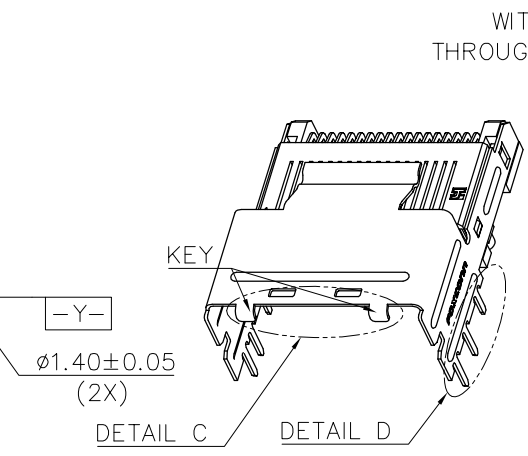
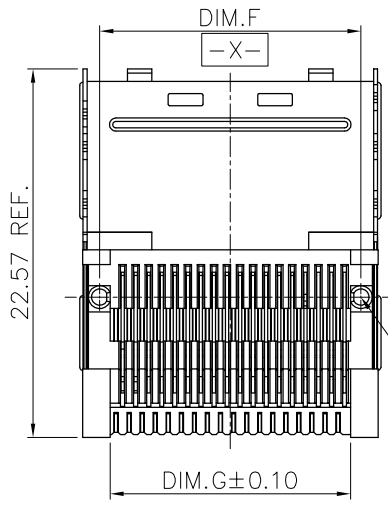
5. DATE CODE: PLEASE REFER TO FOXCONN DOC. "SQ-3B0-070".
6. HARMFUL MATERIAL CONTROL PLEASE FOLLOW FOXCONN DOC. NO. "EPI12".
7. PLEASE CONTACT FOXCONN'S SALES REPRESENTATIVE TO VERIFY PRODUCT DETAILS & AVAILABILITY.



SECTION: A-A

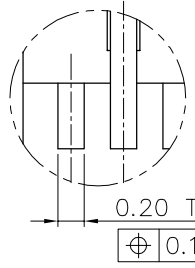
WITH DUAL KEY AND THROUGH SHELL TYPE OPTION SHOWN

TABLE-I



LD2168*-M8***	30.85	28.60	13.40	13.00	30.60	28.80	27.53	28.40	32.60	33.60
LD2150*-M8***	23.65	21.40	9.80	9.40	23.40	21.60	20.33	21.20	25.40	26.40
LD2136*-M8***	18.05	15.80	7.00	6.60	17.80	16.00	14.73	15.60	19.80	20.80
LD2126*-M8***	14.05	11.80	5.00	4.60	13.80	12.00	10.73	11.60	15.80	16.80
PART No.	DIM.A	DIM.B	DIM.C	DIM.D	DIM.E	DIM.F	DIM.G	DIM.H	DIM.J	DIM.K

x.±	x° ± 1°	UNITS	mm	NAME(INTENDED USE) MINI SAS	FOXCONN HON HAI PRECISION IND. CO.,LTD. TAIPEI, TAIWAN, R.O.C.
.x± 0.25	.x°±	MAT'L			
.xx± 0.13	.xx°±	FINISH		PART NO.(INTENDED USE) LD21***-M8***	TITLE: CUSTOMER DRAWING R/A,SMT,0.80mm PITCH
.xxx±	.xxx°±			APPD: Yusan	DWG NO.: 303-0000-1680
THESE DRAWINGS AND SPECIFICATIONS ARE THE PROPERTY OF HON HAI PRECISION IND. CO., LTD. AND SHALL NOT BE REPRODUCED, COPIED OR USED IN ANY MANNER WITHOUT THE PRIOR WRITTEN CONSENT OF HON HAI PRECISION IND. CO., LTD.				Q'TY	CHKD: Steven Huang
				DR:Justin Dong10/11/07	SCALE SHEET REV. N/A 1/3 D



DETAIL A
SCALE 8:1



UNIVERSAL
DETAIL C
SCALE 2:1



DUAL KEY
DETAIL C
SCALE 2:1



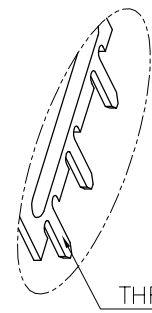
LEFT KEY
DETAIL C
SCALE 2:1



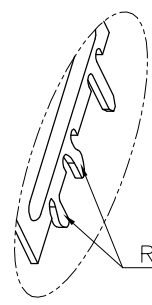
RIGHT KEY
DETAIL C
SCALE 2:1

TABLE-II

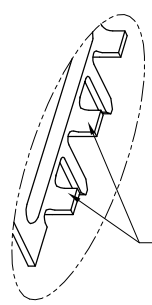
LD21***-M8Y**	1.96	RETENTION	DUAL KEY
LD21***-M8W**	3.18	THROUGH HOLE	UNIVERSAL
LD21***-M8V**	1.96	THROUGH HOLE	UNIVERSAL
LD21***-M8U**	2.79	THROUGH HOLE	UNIVERSAL
LD21***-M8S**	3.56	THROUGH HOLE	DUAL KEY
LD21***-M8R**	3.56	THROUGH HOLE	RIGHT KEY
LD21***-M8Q**	3.56	THROUGH HOLE	LEFT KEY
LD21***-M8N**	3.18	THROUGH HOLE	DUAL KEY
LD21***-M8M**	3.18	THROUGH HOLE	RIGHT KEY
LD21***-M8L**	3.18	THROUGH HOLE	LEFT KEY
LD21***-M8K**	1.96	THROUGH HOLE	DUAL KEY
LD21***-M8J**	1.96	THROUGH HOLE	RIGHT KEY
LD21***-M8H**	1.96	THROUGH HOLE	LEFT KEY
LD21***-M8G**	1.96	RETENTION	UNIVERSAL
LD21***-M8F**	1.96	RETENTION	RIGHT KEY
LD21***-M8E**	1.96	RETENTION	LEFT KEY
LD21***-M8D**	1.96	SMT	UNIVERSAL
LD21***-M8C**	1.96	SMT	DUAL KEY
LD21***-M8B**	1.96	SMT	RIGHT KEY
LD21***-M8A**	1.96	SMT	LEFT KEY
LD21***-M89**	2.79	THROUGH HOLE	LEFT KEY
LD21***-M88**	2.79	THROUGH HOLE	RIGHT KEY
LD21***-M87**	2.79	THROUGH HOLE	DUAL KEY
LD21***-M86**	2.79	SMT	UNIVERSAL
LD21***-M85**	3.56	THROUGH HOLE	UNIVERSAL
LD21***-M84**	1.96	RETENTION	DUAL KEY
LD21***-M83**	3.18	THROUGH HOLE	UNIVERSAL
LD21***-M82**	1.96	THROUGH HOLE	UNIVERSAL
LD21***-M81**	2.79	THROUGH HOLE	UNIVERSAL
PRODUCT No.	DIM.E	SHELL P.C.B. OPTION	SHELL KEY OPTION



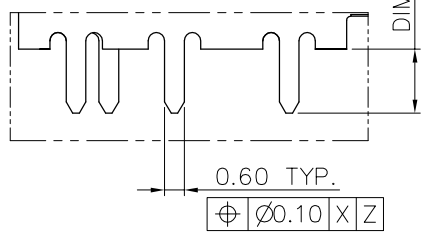
DETAIL D
SCALE: 2:1



DETAIL D
SCALE: 2:1

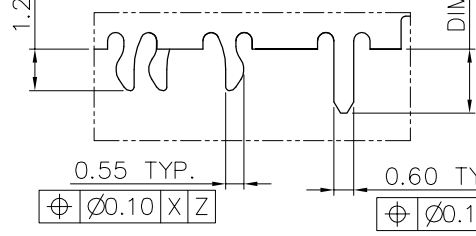


DETAIL D
SCALE: 2:1



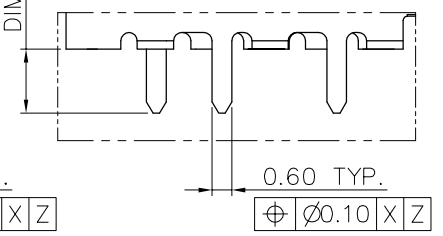
DETAIL B
SCALE 2:1

FOR THROUGH HOLE SHELL TYPE



DETAIL B
SCALE 2:1

FOR RETENTION SHELL TYPE



DETAIL B
SCALE 2:1

FOR SMT SHELL TYPE

x.±	x°± 1°	UNITS mm	NAME(INTENDED USE)	FOXCONN HON HAI PRECISION IND. CO.,LTD. TAIPEI, TAIWAN, R.O.C.
.x± 0.25	.x°±	MAT'L	MINI SAS	
.xx± 0.13	.xx°±	FINISH	PART NO.(INTENDED USE)	TITLE: CUSTOMER DRAWING R/A,SMT,0.80mm PITCH
.xxx±	.xxx°±		LD21***-M8***	
THESE DRAWINGS AND SPECIFICATIONS ARE THE PROPERTY OF HON HAI PRECISION IND. CO., LTD. AND SHALL NOT BE REPRODUCED, COPIED OR USED IN ANY MANNER WITHOUT THE PRIOR WRITTEN CONSENT OF HON HAI PRECISION IND. CO., LTD.			APPD: Yusan	DWG NO.: 303-0000-1680
			Q'TY	
			DR:Justin Dong10/11'07	SCALE SHEET REV. N/A 2/3 D

