

SPECIFICATIONS

Mechanical

Insertion Force: 45N max.
Withdrawal Force: 10N min.
Durability: 500 Cycles.

Electrical

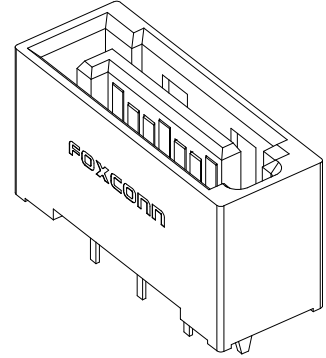
Voltage Rating: 250V.
Current Rating: 1.5A per pin min.
Contact Resistance: 30mW max.
Dielectric Withstanding Voltage: 500V AC.
Insulation Resistance: 1000MW min.

Physical

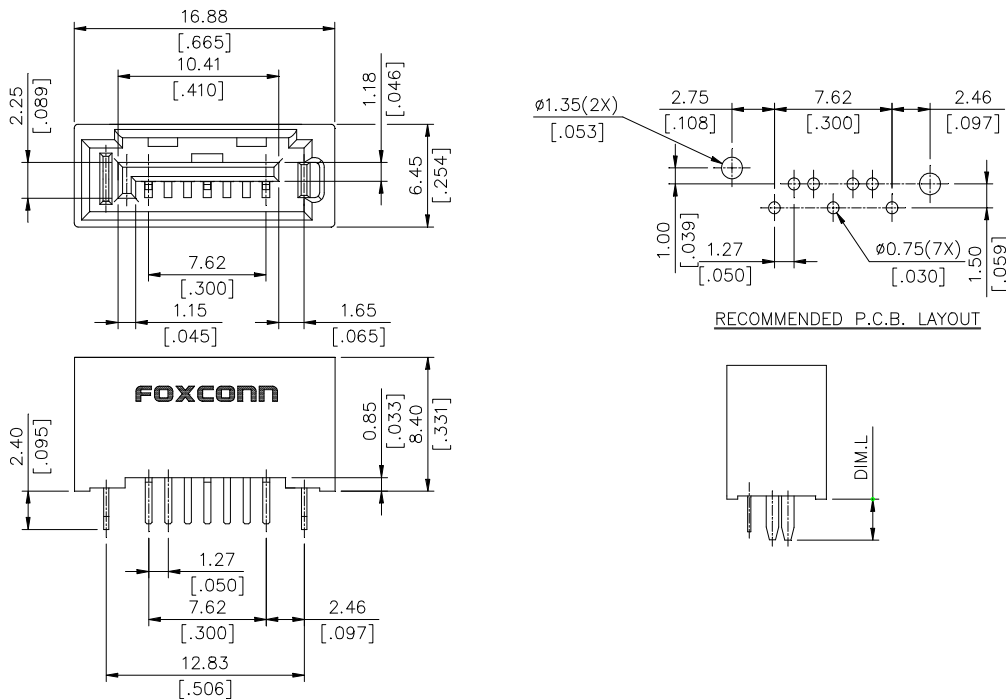
Housing: Thermoplastic, UL 94V-0 rated in Black Color
Contact: Copper alloy
Plating: See "ORDERING INFORMATION"
Board Lock: Copper alloy
Operating Temperature: -55 to +85

Serial ATA Connector

LD Series
Vertical, T/H Type
Shrouded Plug
1.27mm [.050"] Pitch
7 Pos.



DRAWING



ORDERING INFORMATION

PRODUCT NO.: LD 1 8 0 7 * - S 5 1 * * *

- Serial ATA
- Termination & Contact Type
- No. of Pos
07=7 Pos
- Contact Area Plating
 - 1: Gold Flash
 - 3: 30u" Gold
 - 7: 15u" Gold
 - F: Gold Flash With RoHS Compliance
 - H: Gold Plating 30u" With RoHS Compliance
 - V: Gold Plating 15u" With RoHS Compliance
- Modification Code
- Tail Length
 - None :DIM.L=2.45mm
 - B :DIM.L=2.85mm
 - C :DIM.L=3.25mm
 - D :DIM.L=2.05mm
- Packing Type
 - None = Tray
- Housing Material
 - P=Color Black PBT
 - B=Color Blue PBT
 - C=Color Light Blue PBT
 - W=Color White PBT
 - J=Color Orange PBT
 - T=Color Black PA6T
 - U=Color Blue PA6T