

**SPECIFICATIONS**

**Mechanical**

**Contact Captivation Force:** 30N min.  
**Durability:** 500Cycles

**Electrical**

**Impedance:** 75Ω (Nominal)  
**Frequency Range:** 0-2 GHz

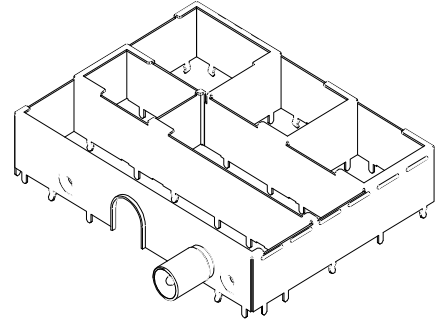
**Voltage Rating:** 335V  
**Dielectrical Withstanding Voltage:** 750V  
**Insulation Resistance:** 1000MΩ min.

**Physical**

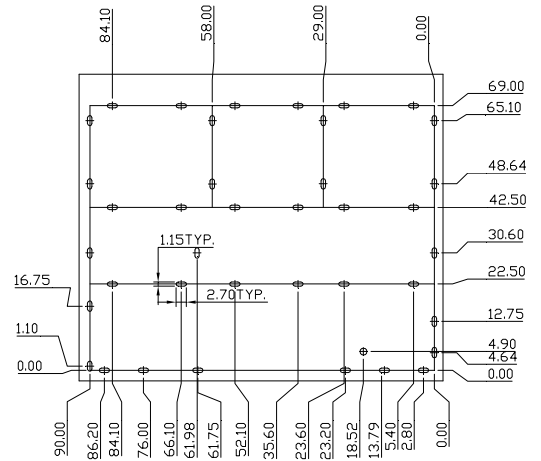
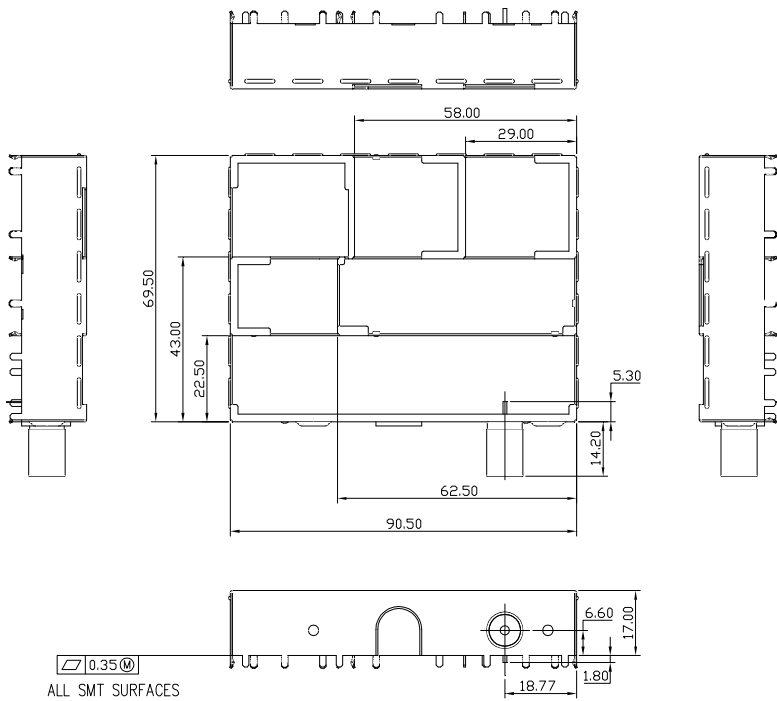
**Outer Contact:** IRON  
**Center Contact:** PHOSPHOR BRONZE  
**Plating:** See "ORDERING INFORMATION"  
**Operating Temperature:** -40°C to +85°C

**RF Coaxial Connector**

**TAC Series**  
**PAL WITH SHIELDING**



**DRAWING**



RECOMMENDED PCB LAYOUT  
 MOUNTING HOLE DIM.

**ORDERING**

