

RF Coaxial Connector

**TAC Series
PAL WITH SHIELDING**

SPECIFICATIONS

Mechanical

Contact Captivation Force: 30N min.
Durability: 500Cycles

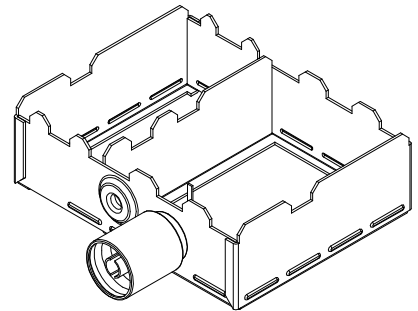
Electrical

Impedance: 75Ω (Nominal)
Frequency Range: 0-2 GHz

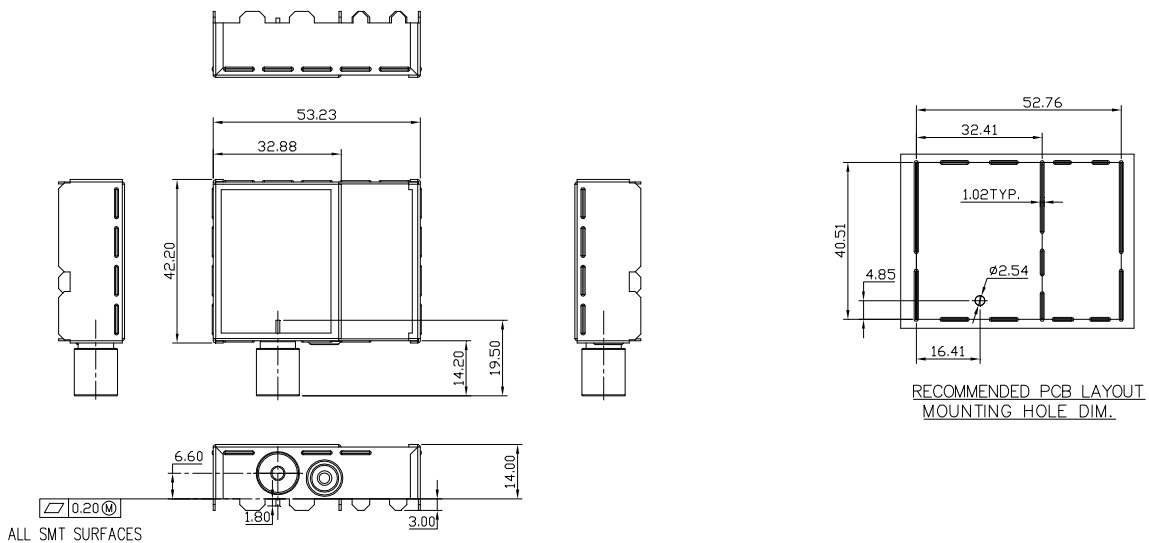
Voltage Rating: 335V
Dielectrical Withstanding Voltage: 750V
Insulation Resistance: 1000MΩ min.

Physical

Outer Contact: IRON
Center Contact: PHOSPHOR BRONZE
Plating: See "ORDERING INFORMATION"
Operating Temperature: -40°C to +85°C



DRAWING



ORDERING INFORMATION

