

**SPECIFICATIONS**

**Mechanical**

*Withdrawal force: 28 gf*  
*Durability: 500 Cycles*

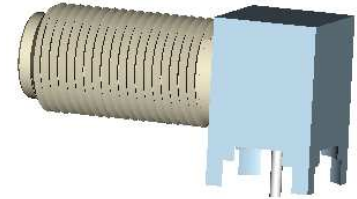
**Electrical**

*Dielectric Withstanding Volatage: 750 V min.*  
*Insulation Resistance: 100MΩ min.*  
*Contact Resistance: 30 Milli Ω max.*

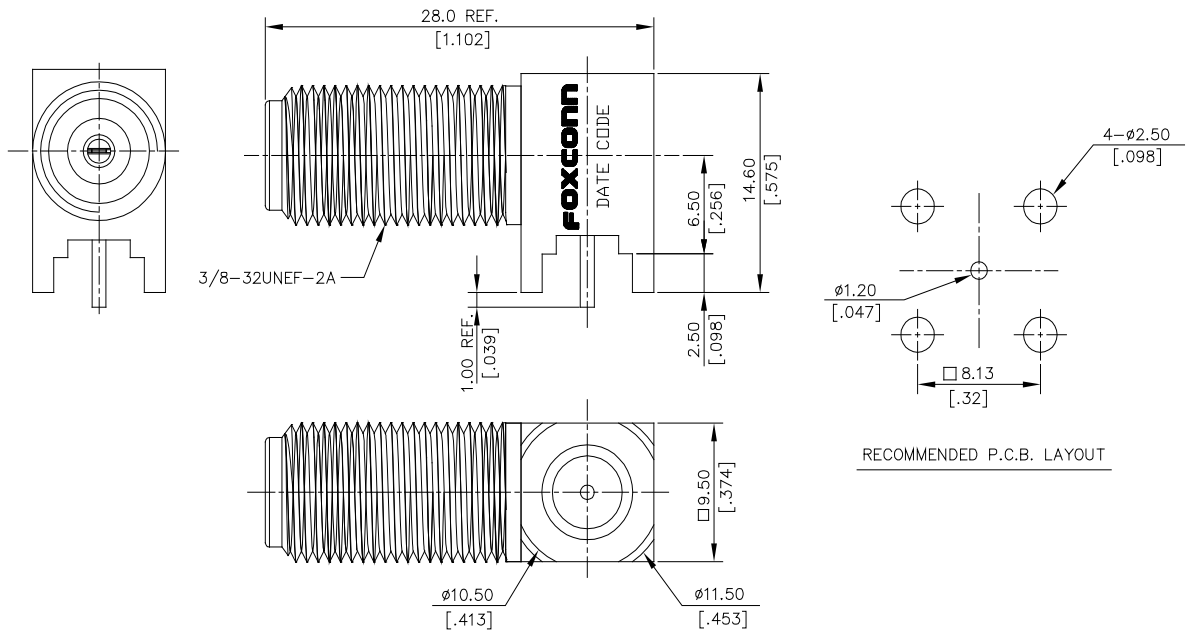
**Physical**

*Body: Copper Alloy*  
*Insulator: PP*  
*Socket: Phosphor Bronze*  
*Pin: Copper Alloy*  
*Plating: See "ORDERING INFORMATION"*

**RF Coaxial Connector**  
**F Type**  
**R/A Jack For PCB**



**DRAWING**



**ORDERING INFORMATION**

PRODUCT NO.: KFA3110-4621-4F

SERIES PREFIX	—	LEAD FREE CODE	—
KF=COAXIAL CONNECTOR	—	F=LEAD FREE	—
PRODUCT TYPE	—	PACKAGE	—
A=F SERIES	—	4=SOFT TRAY	—
CONFIGURATION	—	EXTENSION CODE	—
3=JACK BOARD	—	CONTACT PLATING	—
ATTACHMENT	—	0=TIN/LEAD	—
1=SOLDER TAIL	—		
IMPEDANCE	—		
1=75 OHMS	—		