

SPECIFICATIONS

Mechanical

Mating Force: 4.00Kg(8.81Lb) max. (single port)
Unmating Force: 0.3~4Kg(0.66~8.81Lb) (single port)
Durability: 5000Cycles

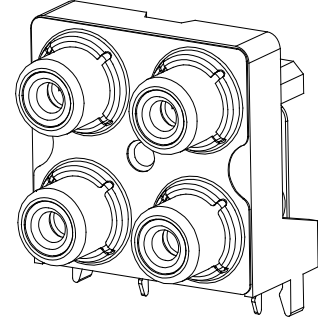
Electrical

Current Rating: 0.3A
Contact Resistance: 30mΩ max.(initial) 60mΩ max.(after test)
Dielectric Withstanding Voltage: 500V AC/1min min.
Insulation Resistance: 100MΩ min. (initial)
 50MΩ min.(after humidity test)

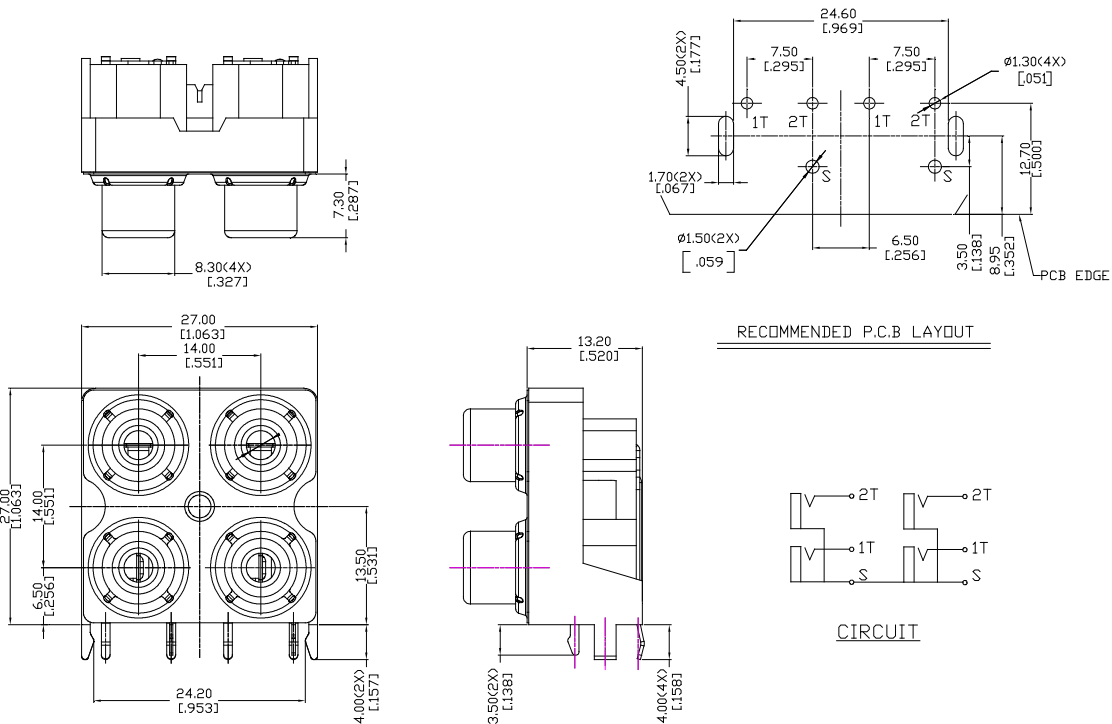
Physical

Housing: Thermoplastic, UL 94V-0 rated
Contact and Shell: Copper alloy&Iron alloy
Plating: See "ORDERING INFORMATION"
Operating Temperature: -25°C to +70°C

RCA JACK Series
Right Angle, T/H
2X2 Structure



DRAWING



ORDERING INFORMATION

PRODUCT NO. JR 1 1 0 3 0 - W 5 Q 1 - 4 F

- RCA JACK SERIES
- TERMINATION TYPE
 - 1=RIGHT ANGLE
- CONTACT TYPE
 - 1=FEMALE
- SWITCH FUNCTION
 - 0=WITHOUT SWITCH
- PLUGS DIAMETER
 - 3=Φ3.20mm
- CONTACT AREA PLATING
 - 0=150U" Sn
- LEAD FREE
- SOFT TRAY
- MODIFICATION CODE
- 2*2 STRUCTURE
- CUSTOMER CODE