

**SPECIFICATIONS**

**Mechanical**

**Mating Force:** 4Pounds max.  
**Unmating Force:** 10Pounds max.  
**Durability:** 1000 Cycles

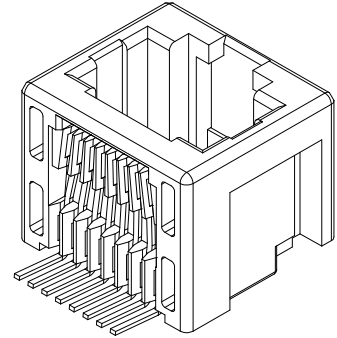
**Electrical**

**Current Rating:** 1.5A max.  
**Contact Resistance:** 60mΩ max.  
**Dielectric Withstanding Voltage:** 1000VDC  
**Insulation Resistance:** 500MΩ min.

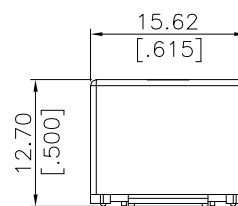
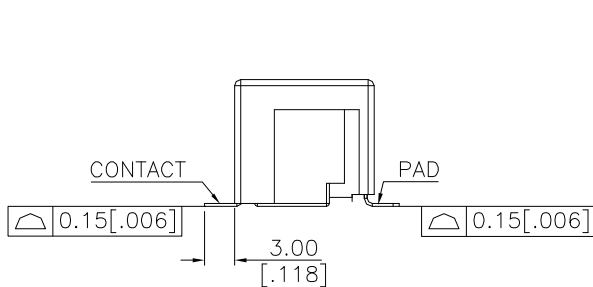
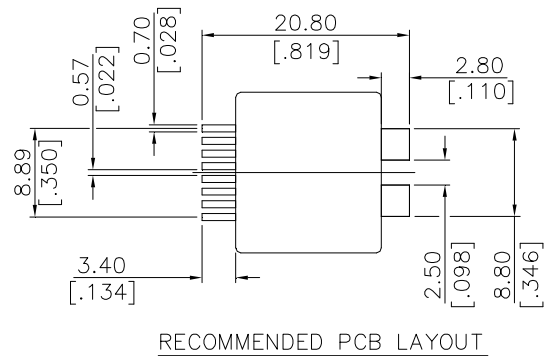
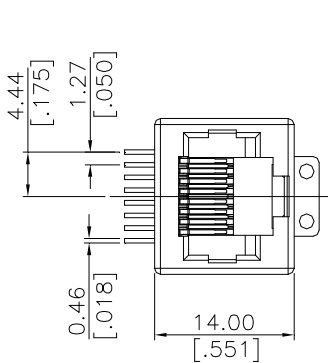
**Physical**

**Housing:** High Temp. Thermoplastic, UL 94V-0 Molded Black  
**Contact:** Phosphor Bronze  
**Operating Temperature:** 0°C to +70°C

**JM Series**  
**RJ45 1x1**  
**S/T ALL PLASTIC SMT**  
**Type**



**DRAWING**



**ORDERING INFORMATION**

**PRODUCT NO.:** JM 8 4 1 1 7 - KM02 - 7 F

**Series Prefix:**

JM=Modular Jack

**Protocol Type:**

8=S/T ALL PLASTIC SMT

**Core Count:**

4=W/O PANEL-GND TAB,W/O B/L

**Position Type:**

1=8P8C

**Lead Free Code:**

F= Lead Free

**Package type:**

7=TAPE REEL

**Extension Code**

**Gold Plating:**

7=15u".

**Configuration:**

1=1 PORT