

Modular Jack

SPECIFICATIONS

Mechanical

Mating Force: 4 Pounds Max.

Unmating Force: 4 Pounds Max.

Durability: 1000 Cycles

Electrical

Current Rating: 1.5 A Max.

Voltage Rating: 150 VAC

Dielectric Withstanding Voltage: 1000V Contact To Contact

Physical

Housing: Thermoplastic, UL 94V-0 Rated In Black Color

Contact: Copper Alloy

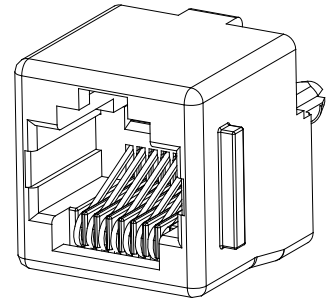
Operating Temperature: 0°C To +70°C

JM Series

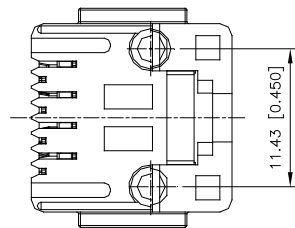
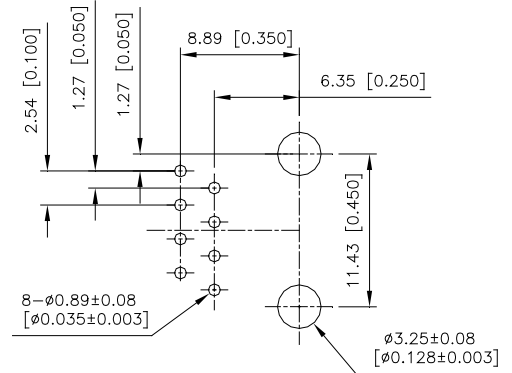
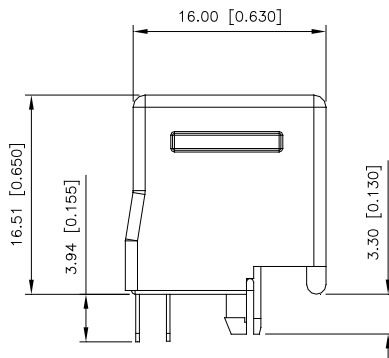
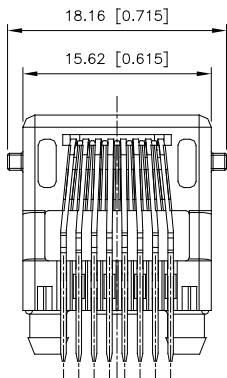
RJ45 T/H CONNECTOR

VERTICAL ALL PLASTIC

1.27mm [.050"] Pitch

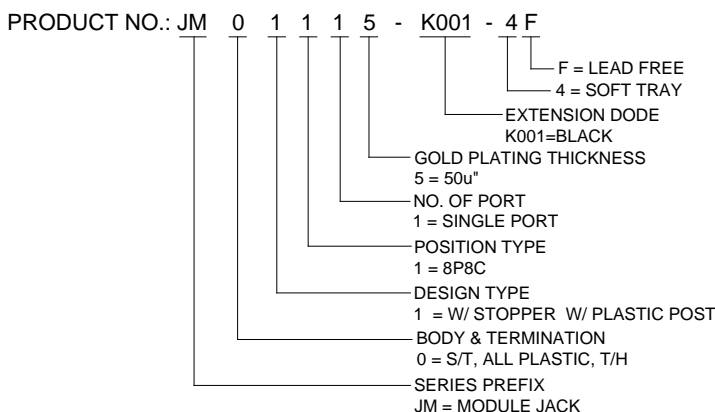


DRAWING



RECOMMENDED PCB LAYOUT
PCB THICKNESS: 1.57mm[0.062"] MAX.

ORDERING INFORMATION



All specification & dimensions are subject to change, please call your nearest Foxconn sales representative for update information.