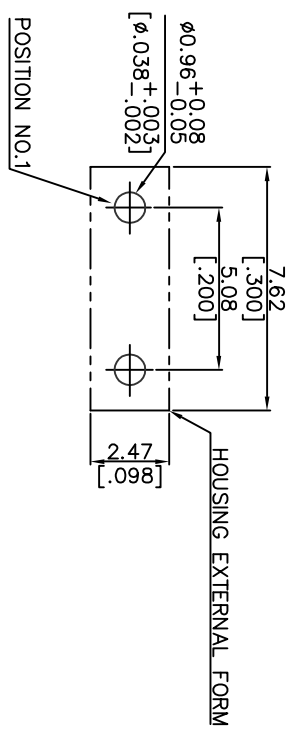
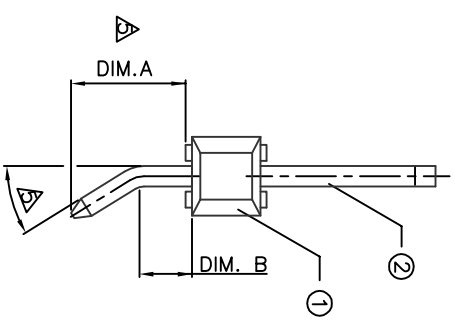
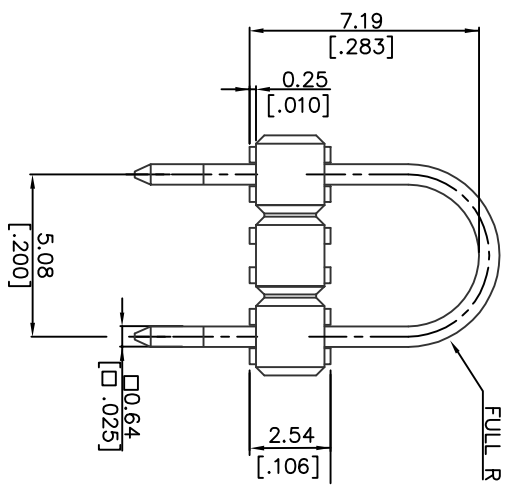
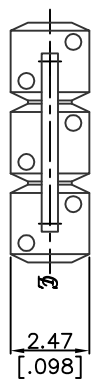


REV.	EGN. NO.	APPD.
A	IC016621	Yhsin Chen 3/4/02



RECOMMENDED P.C.B. HOLE LAYOUT

NOTES:

1. DIMENSIONS SHALL BE INTERPRETED PER ANSI Y14.5M-1994.
  2. ALL DIMENSIONS ARE IN MILLIMETRES WITH INCH EQUIVALENTS SHOWN IN BRACKETS.
- SPEC. OF PROD. ARE SHOWN ON DRAWING 307-0100-215
- MATERIALS OF ① AND ② SEE DRAWING NO. 307-0100-216

H B 90 \* \* \* \* \*  
 TERMINATION & CONTACT TYPE  
 BREAKAWAY  
 HEADER  
 HOUSING COLOR  
 NONE: BLACK  
 W: WHITE  
 TAIL LENGTH  
 NONE: DIM.A=3.60mm  
 5: DIM.A=4.57mm  
 KINK  
 S: WITHOUT KINK  
 K: WITH 20 DEG OF KINK, DIM.B=1.65 [0.065]  
 D: WITH 45 DEG OF KINK, DIM.B=1.65 [0.065]  
 L: WITH 20 DEG OF KINK, DIM.B=2.13 [0.084]

CONTACT AREA PLATING  
 0= 100μ MIN. TIN/LEAD PLATING OVER ALL  
 NO. OF SINGLE ROW POS.

HB90030-***	NO. OF POSITION	3
PART NO.	UNITS [MM] [INCH]	
X ±	X ±	5'
.X ±	.X ±	MAT'L
.XX ± [0.25]	.XX ±	
.XXX ±	.XXX ±	FINISH
THESE DRAWINGS AND SPECIFICATIONS ARE THE PROPERTY OF HON HAI PRECISION IND. CO. LTD. AND SHALL REMAIN UNPUBLISHED AND UNREPRODUCED WITHOUT THE WRITTEN CONSENT OF HON HAI PRECISION IND. CO., LTD.		
APPD: Yhsin Chen 3/4/02	NAME/(INTENDED USE)	BREAKAWAY HEADER, STRAIGHT TYPE
CHKD: Wolfe Liu 1/2/02	PART NO. (INTENDED USE)	HB90 SERIES
DR: Galaxy Guo 8/8/01	TITLE:	CUSTOMER DRAWING
DWG NO.: 307-0100-214	SCALE SHEET	REV. A

**FOXCONN**

HON HAI PRECISION IND. CO., LTD.  
TAIPEI, TAIWAN, R.O.C.