

**SPECIFICATIONS**

**FPC/FFC Connector**

**Mechanical**

**Unmating Force with FPC/FFC:** 0.90 Kgf min.  
**Durability:** 30 Cycles

**GB5LV Series**

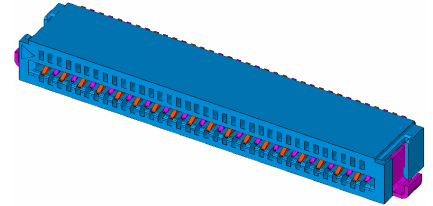
**0.50mm [.019"] Pitch**  
**LIF Type**  
**36Pos.**

**Electrical**

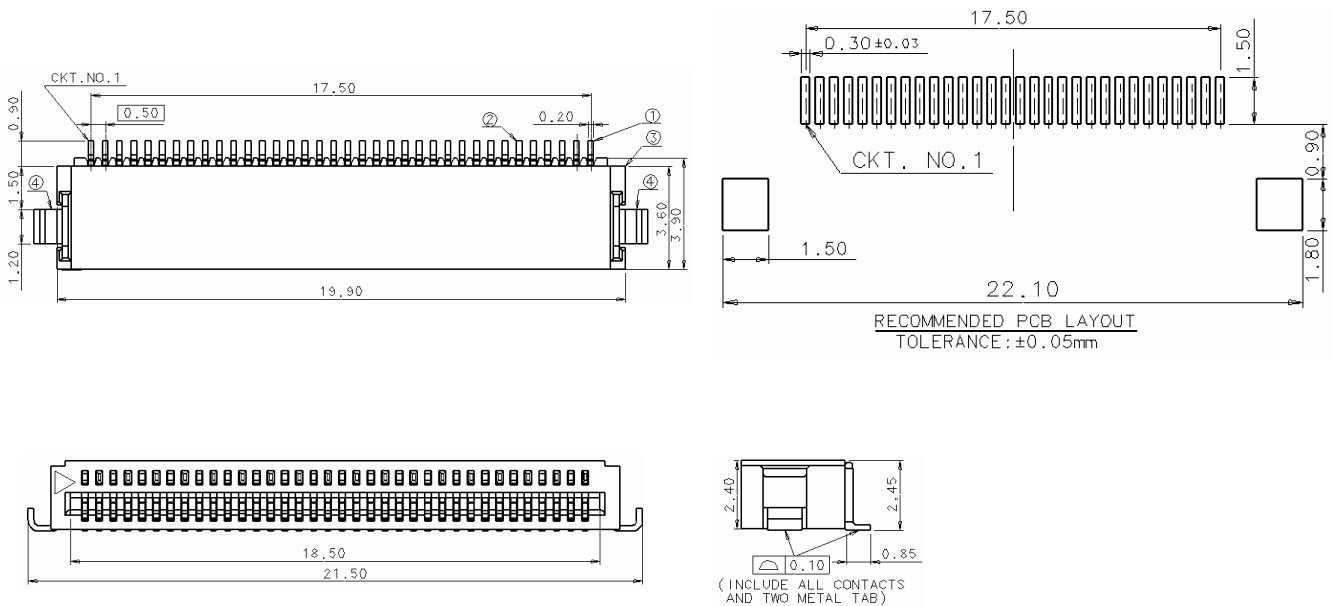
**Current Rating:** 0.5A DC  
**Contact Resistance:** 50mΩ Max. (initial) , 100mΩ Max. (after)  
**Dielectrical Withstanding Voltage:** 500V AC/1 min  
**Insulation Resistance:** 500 MΩ/min.

**Physical**

**Housing:** Thermoplastic, UL 94V-0 rated in Natural Color  
**Contact:** Copper alloy  
**Plating:** Nickel Base Plating  
 Tin Plating on Contact Area  
**Operating Temperature:** -40°C to +85°C



**DRAWING**



**ORDERING INFORMATION**

**GB61360-06241-7F**

PITCH: 6=0.5mm  
 1= R/A BOTTOM CONTACT  
 POS. NO. : (N)36=36POS  
 CONTACT AREA PLATING :  
 0=REFLOW MATTE TIN PLATING  
 1=GOLD PLATING

LEAD FREE CODE:  
 F=LEAD FREE  
 7=TAPE&REEL  
 EXTENSION CODE  
 PROFILE HEIGHT: 24=2.4mm  
 LIF STRUCTURE: 6=SINGLE SIDE  
 SOLDER TAIL:  
 0=SINGLE ROW WITH TIN PLATING  
 1=SINGLE ROW WITH GOLD PLATING