

D-SUB Connector

SPECIFICATIONS

Mechanical

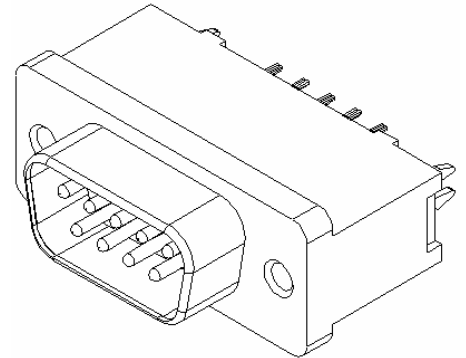
Contact Mating Force: 4.54kgf max.
Contact unmating Force: 0.34kgf min.
Contact Retention Force: 0.91kgf min.

Electrical

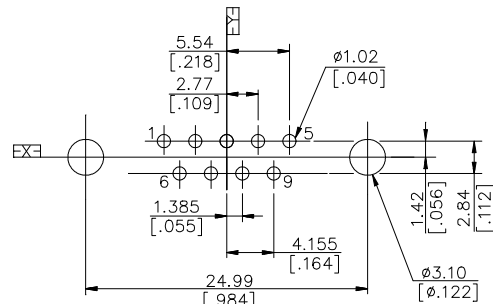
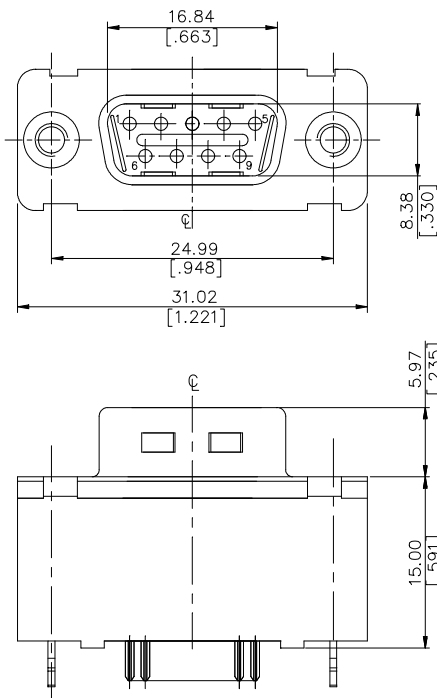
Current Rating: 2.0A
Contact Resistance: 30mΩ max.
Dielectric Withstanding Voltage: 500V AC/1min min.
Insulation Resistance: 5000MΩ

Physical

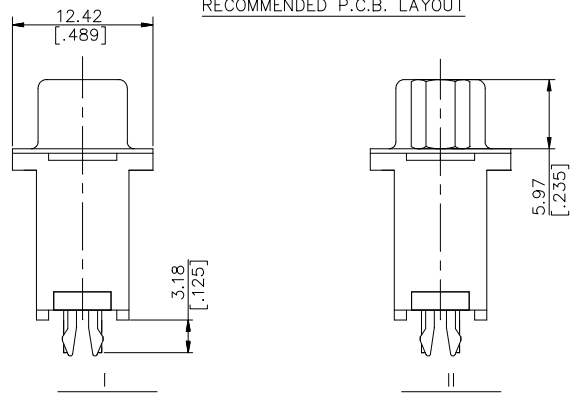
Housing: Thermoplastic, UL 94V-0 rated in Black Color
Contact: Copper alloy
Plating: See "ORDERING INFORMATION"
Solder Pad: Copper alloy
Operating Temperature: -20°C to +85°C



DRAWING



RECOMMENDED P.C.B. LAYOUT



ORDERING INFORMATION

PRODUCT NO.: DT 0 0 1 8 * - H4A*-4H

