

SPECIFICATIONS

Mechanical

Mating Force: 8.50kg (18.74Lb) max. (Upper)
 5.10kg (11.24Lb) max. (Female-Lower)
Unmating Force: 0.53 kg (1.17Lb) min. (Upper)
 0.32kg (0.69Lb) min. (Female-Lower)
Durability: 500 Cycles

Electrical

Current Rating: 2A
Contact Resistance: 35mW (Upper); 25mW (Lower)
Dielectric Withstanding Voltage: 1000V AC/1min min.
Insulation Resistance: 5000MW min.

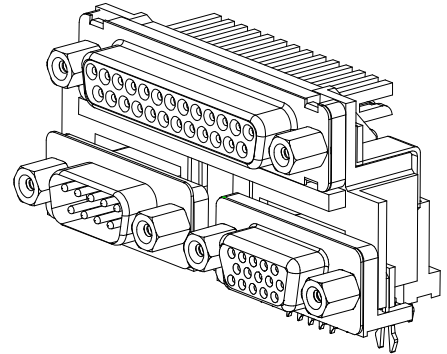
Physical

Housing: Thermoplastic, UL 94V-0 rated
Contact: Copper alloy
Plating: See "ORDERING INFORMATION"
Operating Temperature: -55 to +85

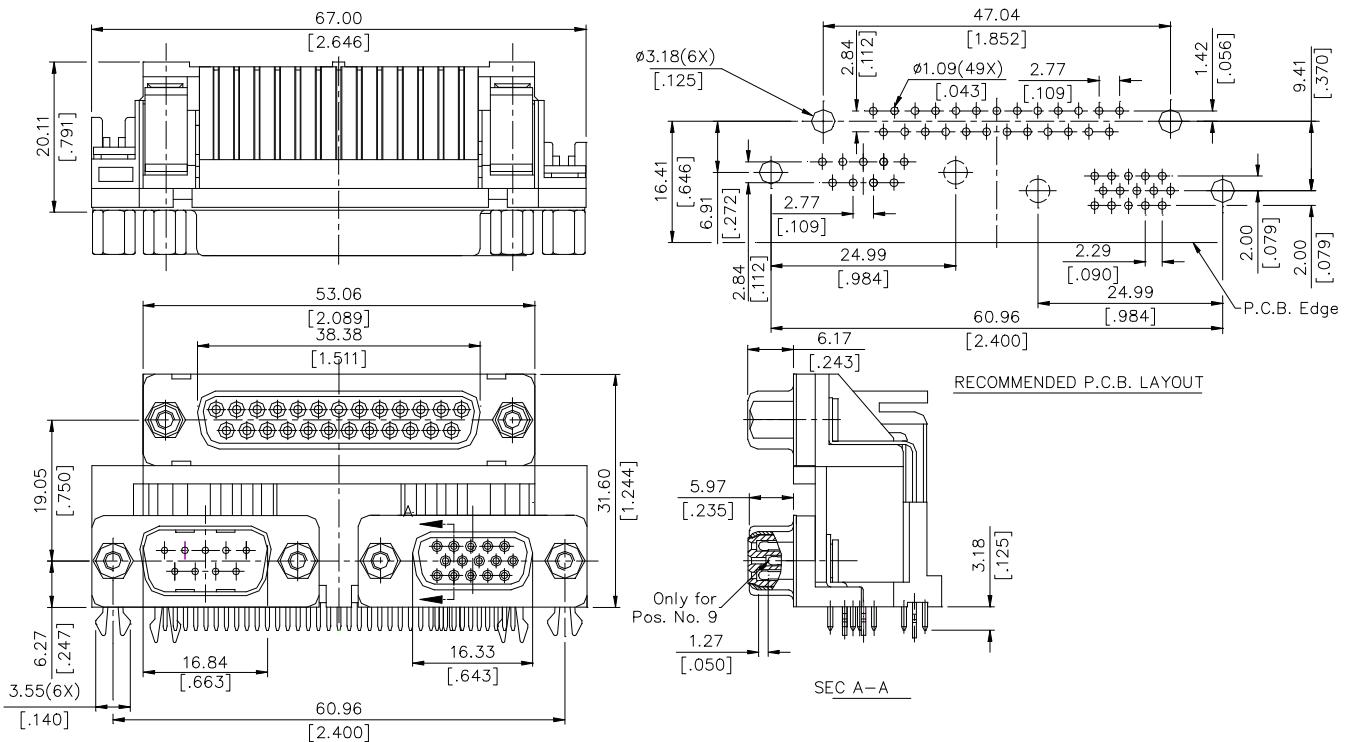
D-SUB Connector

DM Series

Right Angle Type, T/H
2.77mm [.109"] Pitch+
2.77mm [.109"] Pitch+
2.29mm [.090"] Pitch
25 Pos. (Female)+
9 Pos. (Male) +
15 Pos. (Female)



DRAWING



ORDERING INFORMATION

PRODUCT NO.: DM 1 1 3 5 * - H5V3 - 4F

