

**SPECIFICATIONS**

**D-SUB Connector**

**Mechanical**

**Mating Force:** 4.54kgf max.  
**Umating Force:** 0.34kgf min.  
**Durability:** 500 Cycles

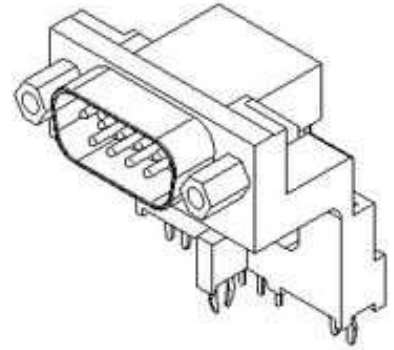
**DM Series**  
**Right Angle Type, T/H**  
**2.77mm [.109"] Pitch**  
**9 Pos.**

**Electrical**

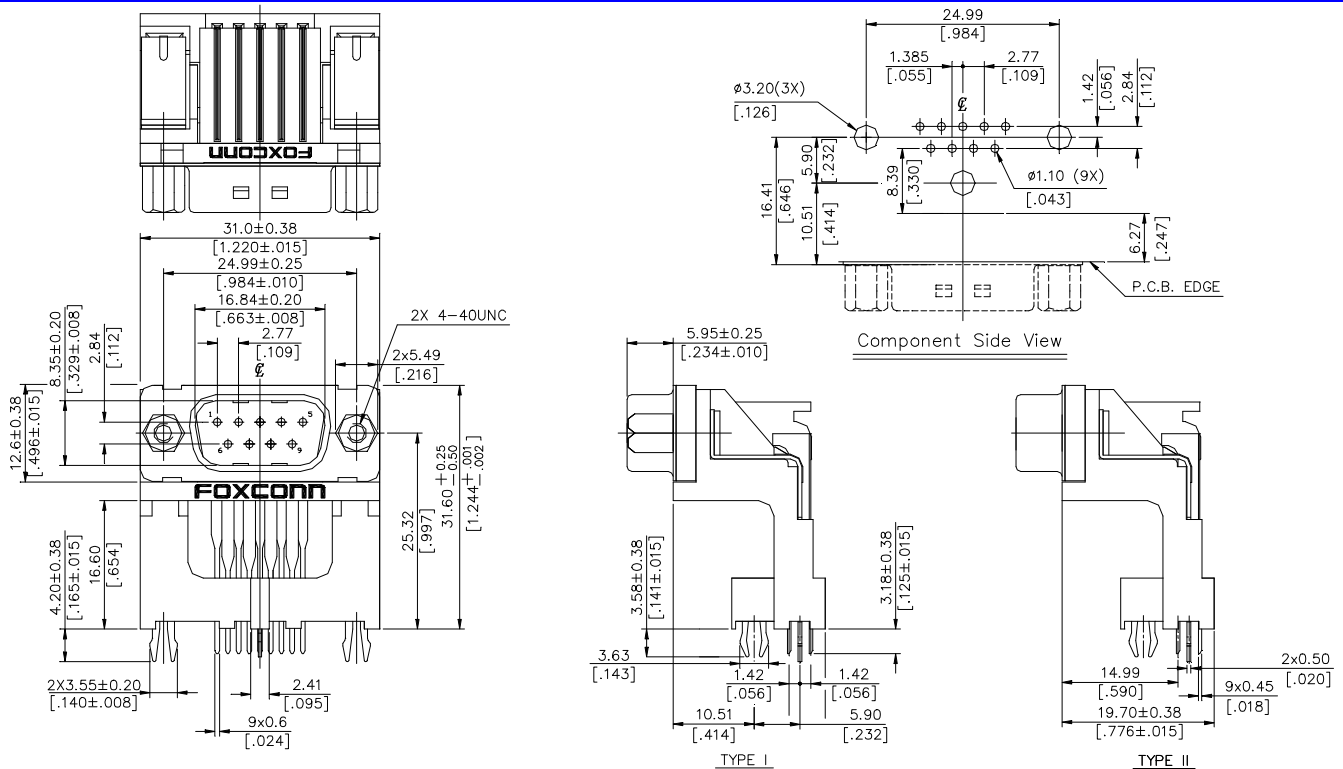
**Current Rating:** 2A  
**Contact Resistance:** 30mΩ max.  
**Dielectric Withstanding Voltage:** 1000V AC/1min min.  
**Insulation Resistance:** 5000MΩ min.

**Physical**

**Housing:** Thermoplastic, UL 94V-0 rated in Teal 322C Color  
**Contact:** Copper alloy  
**Plating:** See "ORDERING INFORMATION"  
**Operating Temperature:** -55°C to +125°C



**DRAWING**



**ORDERING INFORMATION**

**PRODUCT NO.:** DM 1 0 1 5 \* - N5W\* - 4 F

