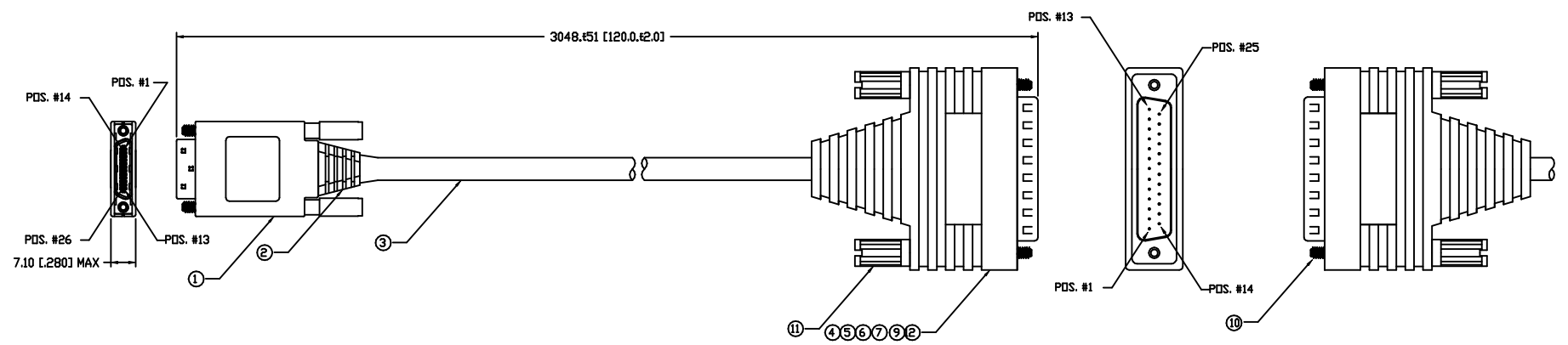


REV.	ECN. NO.	NO.	APPD.
A	HC98723		Hsieh 3/15/98
B	HC981111		Hsieh 5/4/98
C	IC9901382		Hsieh 5/12/99
D	IC9901959		Hsieh 7/19/99
E	IC000809		Hsieh 4/10/00
F	IC002951		Hsieh 10/04/00
G	IC003847		CAI11/28'02
H	IC026548		Albert
J	BC04740653		Sam Chen 11/20/04
K	BC05731825		Sam Chen 8/16/05



X. ±	X° ±	UNITS MM[MUNCI]	NAME(INTENDED USE) MANUFACTURE	FOXCONN HON HAI PRECISION IND. CO.,LTD. TAIPEI, TAIWAN, R.O.C.
.X ±	.X° ±	MATL	PART NO.(INTENDED USE) CQD2610530-009-YF	
.XX ±	.XX° ±	FINISH	APPD: Sam Chen 8/16'05	TITLE: CABLE ASSY,SERIAL, RS530 DTE
.XXX ±	.XXX° ±		QTY	CHKD: David Wang 8/16'05 DR: Mike Gu 8/16'05
THESE DRAWINGS AND SPECIFICATIONS ARE THE PROPERTY OF HON HAI PRECISION IND. CO.,LTD. AND SHALL NOT BE REPRODUCED, COPIED OR USED IN ANY MANNER WITHOUT THE PRIOR WRITTEN CONSENT OF HON HAI PRECISION IND. CO., LTD.				SCALE NONE SHEET 1/2 REV. K

WIRING DIAGRAM			
SMART SERIAL	COLOR CODE		DB25 MALE
A 21			
23			
24			
SHELL			1
8	黑/棕		4
9	棕		19
7	黑/橙		20
20	橙		23
B 11	黑/黃		5
10	黃		13
1	黑/綠		2
14	綠		14
2	黑/藍		24
15	藍		11
3	黑/紫		15
16	紫		12
4	黑/灰		17
C 17	灰		9
5	黑/白		3
18	白		16
12	棕/紅		6
25	紅/棕		22
6	棕/橙		8
19	橙/棕		10
13	棕/黃		18
D 26	黃/棕		7
SHELL		BRAID	SHELL

REV. BCN. NO. APPD.

備注:



- 尺寸以毫米為單位,括號內尺寸是以英吋為單位之相等數值.
- 測試參數:
 - 2.1 OPEN/SHORT 2K Ohms.
 - 2.2 INSULATION RESISTANCE: 10 MOhms/500V DC.
 - 2.3 TEST TIME:100ms.
 - 2.4 CONTACT RESISTANCE:5 Ohms.
- 線材編織用金屬環或銅箔360° 包裹,以確保良好的電氣及機械特性.
- STRAIN RELIEF:
 - 5.1 MATERIAL: PVC, UL 94V-0, COLOR BLUE PER PANTONE 300C.
 - 5.2 S/R與線材之間之保持力為20lbs MIN.
- SMART SERIES CONNECTOR BACKSHELL AND RAW CABLE JACKET COLORS ARE PER PANTONE 300C BLUE.
- CONNECTIONS TO SHUNTING BAR (SHORTING BLOCK).
- 芯線顏色標示,前一詞表示注條顏色,後一個詞表示芯線底色,例如:"紅/棕":紅--表示注條顏色,棕--表示芯線底色
- 本產品,制程之原物料/零件必須符合EPI12環境管理物質規定.

12	HEAT SHRINK TUBING	A/R	090-0001-033	
11	OVERMOLD, SCREW	4	003-0000-941	PVC, UL94V-0
10	SCREW, 4-40	2	060-0001-361	
9	FERRULE	1	061-0001-135	
8	SCREW, M3	2	060-0002-361	
7	PIN, CRIMP, DB25	23	051-0030-100	
6	DB25 Ø7.1 SHIELD	1	070-0002-542	
5	DB25 MALE CONN	1	070-0003-543	
4	OVERMOLD, DB25	1	003-0000-944	PVC, UL94V-0
3	12 TWISTED PAIR 28 AWG DOUBLE SHIELDED CABLE	A/R	015-0035-452	FT6-1200-002
2	STRAIN RELIEF, SS CONNECTOR	1	003-0000-886	PVC, UL94V-0
1	SMART SERIAL PLUG	1	GDC3013L-K1	
NO	DESCRIPTION	QTY	P/N	REMARK

X. ±	X ^o ±	UNITS	MM(INCH)	NAME(INTENDED USE)	FOXCONN HON HAI PRECISION IND. CO.,LTD. TAIPEI, TAIWAN, R.O.C.						
.X ±	.X ^o ±	MATL		MANUFACTURE							
.XX ±	.XX ^o ±			PART NO.(INTENDED USE)	TITLE:						
.XXX ±	.XXX ^o ±	FINISH		CQD2610530-009-YF	CABLE ASS'Y,SERIAL, RS530 DTE						
THESE DRAWINGS AND SPECIFICATIONS ARE THE PROPERTY OF HON HAI PRECISION IND. CO., LTD. AND SHALL NOT BE REPRODUCED, COPIED OR USED IN ANY MANNER WITHOUT THE PRIOR WRITTEN CONSENT OF HON HAI PRECISION IND. CO., LTD.				APPD: Sam Chen 8/16'05	DWG NO.:						
				CHKD: David Wang 8/16'05	602-0000-244						
				DR: Mike Gu 8/16'05	<table border="1"> <tr> <td>SCALE</td> <td>SHEET</td> <td>REV.</td> </tr> <tr> <td>NONE</td> <td>2/2</td> <td>K</td> </tr> </table>	SCALE	SHEET	REV.	NONE	2/2	K
SCALE	SHEET	REV.									
NONE	2/2	K									