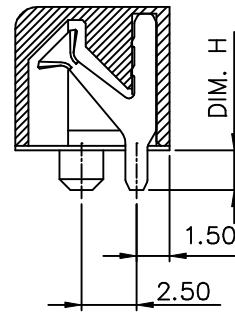
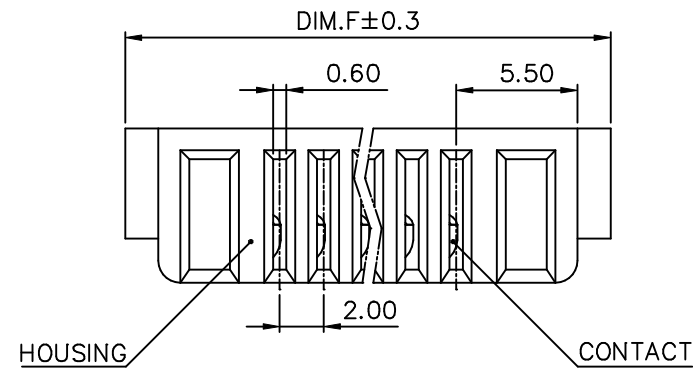


IDEAS GENERATED DRAWING, DON'T CHANGE BY HAND.

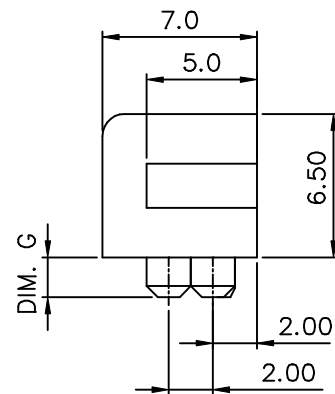
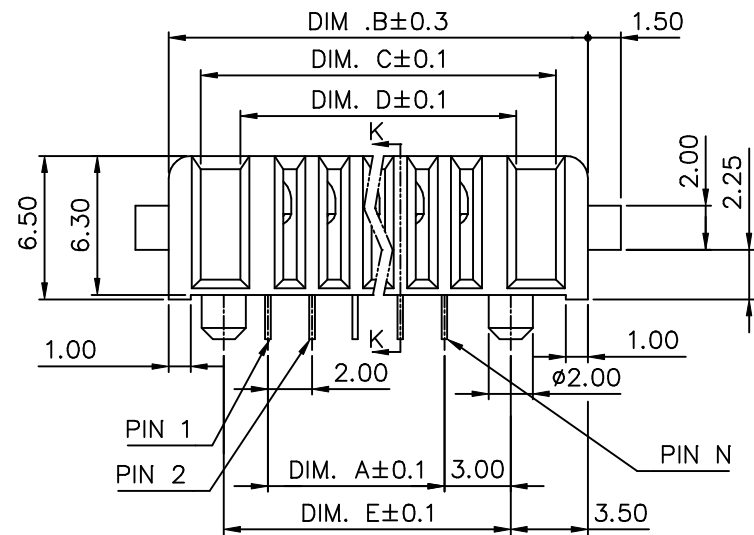
REV.	ECN. NO.	APPD.
A	IC021494	Yihsin Chen
B	IC0215800	Yihsin Chen
C	HC-04-5460	Max Wu
CX1	SMNKB14-605033	Joel



SEC K-K

SPECIFICATION:

- ELECTRICAL CHARACTERISTICS:
 - 1-1. LOW LEVEL CONTACT RESISTANCE(DRY CIRCUIT): 25 MILLIOHMS MAX. INITIAL
 - 1-2. DIELECTRIC WITHSTANDING VOLTAGE: 500VAC AT SEE LEVEL
 - 1-3. INSULATION RESISTANCE: 1000 MEGAOHMS MIN. INITIAL
- PERFORMANCE:
 - 2-1. VOLTAGE RATING: 30V DC.
 - 2-2. CURRENT RATING: 7.0 Amps MAX. PER CONTACT
 - 2-3. OPERATING TEMPERATURE: -25°C
- MECHANICAL:
 - 3-1. DURABILITY (MATING/UNMATING CYCLES): 5000 CYCLES.
 - 3-2. MATING FORCE : 0.18Kg~1.5Kg
UNMATING FORCE: 0.15Kg~1.2Kg
- PRODUCT NO.MATRIX:



B R 02 ** * - T*(4 F)

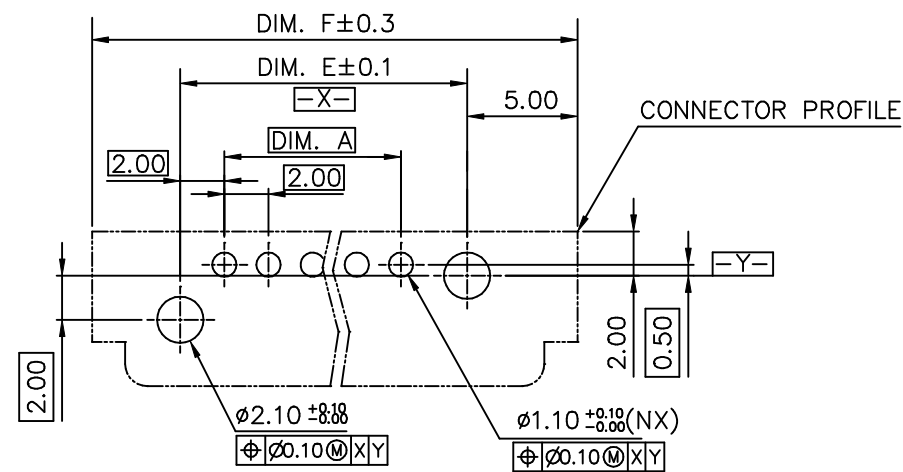
BATTERY REC. TERMINATION & CONTACT TYPE

LEAD FREE SOFT TRAY

MODIFICATION CODE

CONTACT PLATING
 1= 3u" GOLD PLATING
 3= 30u" GOLD PLATING
 7= 15u" GOLD PLATING
 A= 10u" Pd/Ni+GOLD FLASH

POS. NO.
 05=5 POS.
 06=6 POS.
 07=7 POS.
 08=8 POS.
 09=9 POS.



RECOMMENDED P.C.B. LAYOUT
TOLERANCE ±0.05mm

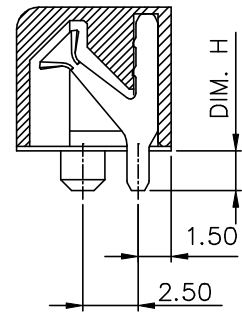
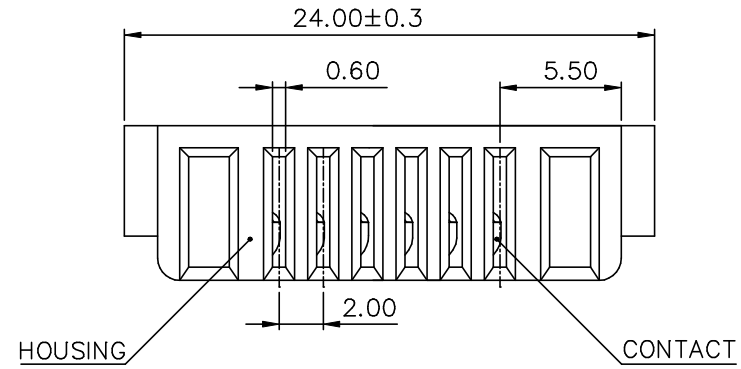
BR02***-T4-(4F)	1.20	1.80
BR02***-T3-(4F)	1.20	1.20
BR02***-T2-(4F)	1.80	1.80
PROD. NO.	DIM. G	DIM. H

BR0209*-T*-(4F)	9	16.00	27.00	24.20	20.50	21.00	30.0
BR0208*-T*-(4F)	8	14.00	25.00	22.20	18.50	19.00	28.0
BR0207*-T*-(4F)	7	12.00	23.00	20.20	16.50	17.00	26.0
BR0206*-T2-(4F)	6	10.00	21.00	18.20	14.50	15.00	24.0
BR0205*-T*-(4F)	5	8.00	19.00	16.20	12.50	13.00	22.0
PROD. NO.	NO. OF POS.	DIM. A	DIM. B	DIM. C	DIM. D	DIM. E	DIM. F

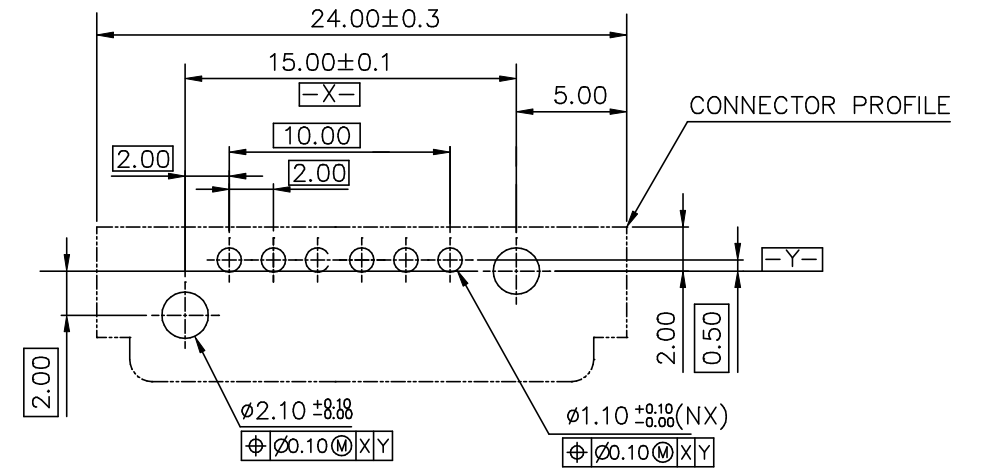
X.±	X°.±	UNITS	mm	NAME(INTENDED USE)	FOXCONN HON HAI PRECISION IND. CO.,LTD. TAIPEI, TAIWAN, R.O.C.		
.X± 0.30	.X°±	MAT'L		2mm PITCH RECEPTACLE BATTERY CONNECTOR			
.XX± 0.20	.XX°±	FINISH		PART NO.(INTENDED USE)	TITLE:		
.XXX±	.XXX°±			BR02***-T*-(4F)	CUSTOMER DWG.		
THESE DRAWINGS AND SPECIFICATIONS ARE THE PROPERTY OF HON HAI PRECISION IND. CO., LTD. AND SHALL NOT BE REPRODUCED, COPIED OR USED IN ANY MANNER WITHOUT THE PRIOR WRITTEN CONSENT OF HON HAI PRECISION IND. CO., LTD.				APPD: Joel 5/9'06	DWG NO.: 325-0100-026		
				CHKD: C.S.Li 5/9'06	SCALE	SHEET	REV.
				DR: Y.L.Li 5/9'06	N/A	1/2	CX1

2	N	CONTACT	COPPER ALLOY	GOLD PLATING AT CONTACT AREA TIN OR TIN/LEAD PLATED ON TAIL	TIN PLATED FOR LEAD FREE
1	1	HOUSING	HIGH TEMPERATURE THERMOPLASTIC UL 94V-0	MOLDED COLOR: BLACK	
Item	Qty	Name	Material	TREATMENT	REMARK

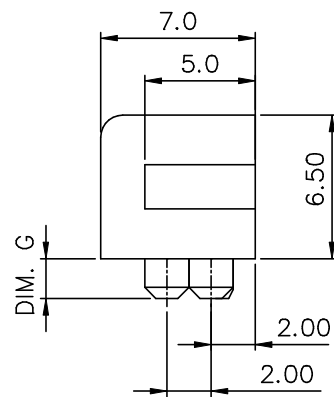
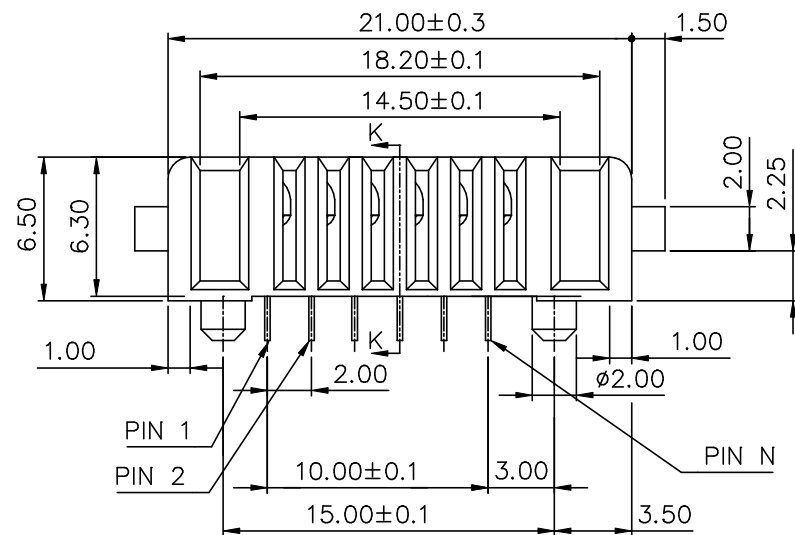
IDEAS GENERATED DRAWING, DON'T CHANGE BY HAND.



SEC K-K



RECOMMENDED P.C.B. LAYOUT
TOLERANCE $\pm 0.05\text{mm}$



BR02***-T4-(4F)	1.20	1.80
BR02***-T3-(4F)	1.20	1.20
PROD. NO.	DIM. G	DIM. H

X.±	X°.±	UNITS	mm	NAME(INTENDED USE) 2mm PITCH RECEPTACLE BATTERY CONNECTOR	FOXCONN HON HAI PRECISION IND. CO.,LTD. TAIPEI, TAIWAN, R.O.C.			
.X± 0.30	.X°.±	MAT'L						
.XX± 0.20	.XX°.±	FINISH		PART NO.(INTENDED USE) BR02***-T*-(4F)	TITLE: CUSTOMER DWG.			
.XXX±	.XXX°.±		Q'TY		APPD: Joel 5/9'06	DWG NO.: 325-0100-026		
THESE DRAWINGS AND SPECIFICATIONS ARE THE PROPERTY OF HON HAI PRECISION IND. CO., LTD. AND SHALL NOT BE REPRODUCED, COPIED OR USED IN ANY MANNER WITHOUT THE PRIOR WRITTEN CONSENT OF HON HAI PRECISION IND. CO., LTD.				CHKD: C.S.Li 5/9'06		SCALE	SHEET	REV.
				DR: Y.L.Li 5/9'06		N/A	2/2	CX1

2	N	CONTACT	COPPER ALLOY	GOLD PLATING AT CONTACT AREA TIN OR TIN/LEAD PLATED ON TAIL	TIN PLATED FOR LEAD FREE
1	1	HOUSING	HIGH TEMPERATURE THERMOPLASTIC UL 94V-0	MOLDED COLOR: BLACK	
Item	Qty	Name	Material	TREATMENT	REMARK