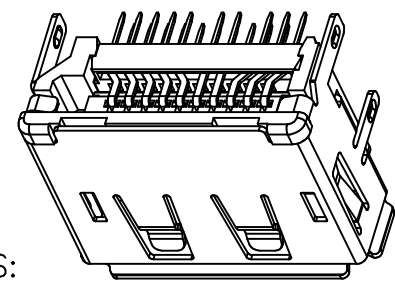
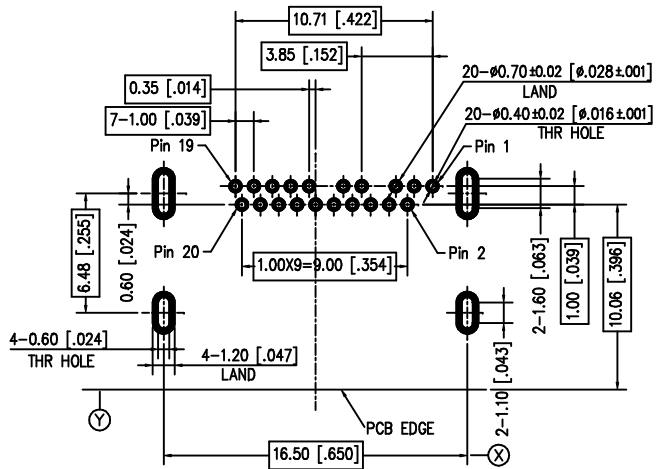
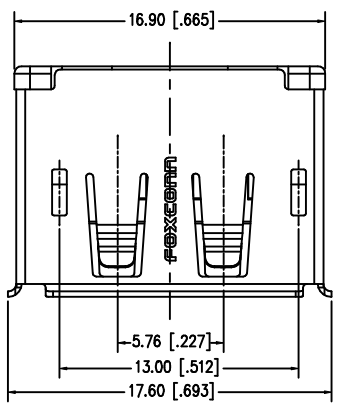


REV.	ECN. NO.	APPD.
A	BC-12-0001637	Dean Zhang
B	BC-13-0003034	Dean Zhang
C	BC-13-0076070	ADWARD ZHENG

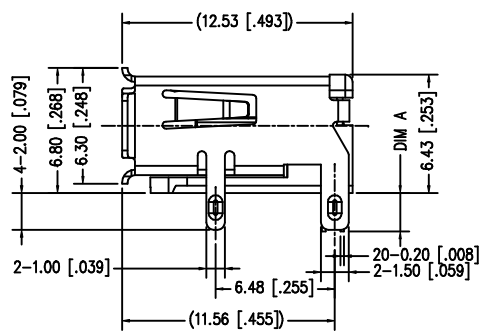


NOTES:

- ELECTRICAL CHARACTERISTICS:
  - CONTACT CURRENT RATING: 0.5A MIN.  
APPLIED VOLTAGE RATING: 40V AC
  - CONTACT RESISTANCE:  
CONTACT RESISTANCE: 30 MILLIOHMS MAXIMUM.  
AFTER TEST: CHANGE FROM INITIAL VALUE 30MILLIOHMS MAX.
  - SHELL RESISTANCE:  
AFTER TEST: CHANGE FROM INITIAL VALUE 50MILLIOHMS MAX.
  - DIELECTRIC WITHSTANDING VOLTAGE: 500V AC RMS.
  - INSULATION RESISTANCE:  
UNMATED PLUG: 100 MEGAOHMS MIN. AT 500V DC.  
MATED PLUG: 10 MEGAOHMS MIN. AT 150V DC.
- MECHANICAL CHARACTERISTICS:
  - CONNECTOR MATING FORCE: 4.5Kgf MAX.
  - CONNECTOR UNMATING FORCE: 1.0~4.0 Kgf.
  - DURABILITY: 10000 CYCLES.
  - OPERATING TEMPERATURE RANGE: -40~85°C;  
HUMIDITY: 85% RH MAX.
- RECOMMENDED PROCESS:  
WAVE SOLDER, PEAK TEMPERATURE 270°C, 10SEC MAX.
- RoHS AND HALOGEN-FREE COMPLIANT.

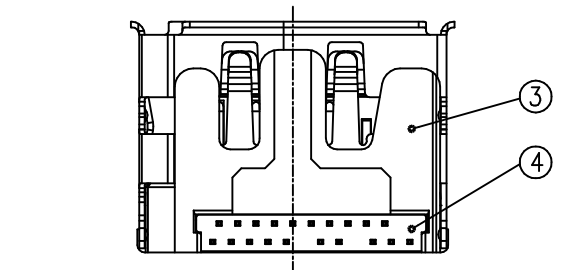
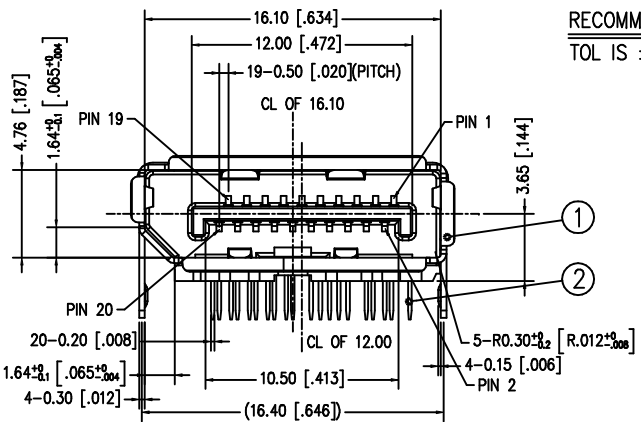
RECOMMENDED P.C.B. LAYOUT (COMPONENT SIDE VIEW)

TOL IS ±0.05 THK=1.60 ALL POSITION TOL  $\phi$  0.06 X Y



DIM A SPEC.:

3VD1120*-D7AB-4H	2.10 [0.083]
3VD1120*-D7AC-4H	1.80 [0.071]



PRODUCT NO.: 3V \* \* \* \* \* - \* \* \* \* \*

- DISPLAY PORT SERIES
- PRODUCT SERIES: D: STANDARD TYPE
- TERMINATION TYPE: 1: R/A T/H
- CONNECTOR TYPE: 1: RECEPTACLE
- NO. OF CONTACT POS.: 20: 20 POS
- HALOGEN-FREE CODE
- PACKAGE CODE: 4: TAY PACKAGE
- EXTENSION CODE
- CONTACT GOLD PLATING: 1: 1u" MIN GOLD PLATING, 3: 30u" MIN GOLD PLATING, 7: 15u" MIN GOLD PLATING

PIN NUMBER	SOURCE-SIDE PIN ASSIGNMENT	SINK-SIDE PIN ASSIGNMENT
1	ML_Lane 0(p)	ML_Lane 3(n)
2	GND	GND
3	ML_Lane 0(n)	ML_Lane 3(p)
4	ML_Lane 1(p)	ML_Lane 2(n)
5	GND	GND
6	ML_Lane 1(n)	ML_Lane 2(p)
7	ML_Lane 2(p)	ML_Lane 1(n)
8	GND	GND
9	ML_Lane 2(n)	ML_Lane 1(p)
10	ML_Lane 3(p)	ML_Lane 0(n)
11	GND	GND
12	ML_Lane 3(n)	ML_Lane 0(p)
13	CONFIG1	CONFIG1
14	CONFIG2	CONFIG2
15	AUX CH (p)	AUX CH (p)
16	GND	GND
17	AUX CH (n)	AUX CH (n)
18	HOT PLUG DETECT	HOT PLUG DETECT
19	RETURN	RETURN
20	DP PWR	DP PWR

ITEM	DESCRIPTION	Q'TY	MATERIAL	REMARK
④	SPACER	1	HI-TEMPERATURE THERMOPLASTIC UL94V-0	COLOR: BLACK
③	HOUSING	1	HI-TEMPERATURE THERMOPLASTIC UL94V-0	COLOR: BLACK
②	CONTACT	20	COPPER ALLOY	Ni 50u" MIN UNDERPLATING, Au 1u"/15u"/30u" MIN AT CONTACT AREA, Sn 100u" MIN AT SOLDER AREA
①	SHELL	1	STAINLESS STEEL	Ni PLATING OVER ALL ,Sn 50u" MIN AT SOLDER AREA

UNITS	mm	NAME (INTENDED USE)	FOXCONN
MATL		CUSTOMER	HON HAI PRECISION IND. CO., LTD. TAIPEI, TAIWAN, R.O.C.
N/A		PART NO. (INTENDED USE)	TITLE:
N/A		3VD1120*-D7A*-4H	DISPLAYPORT CONNECTOR DIP TYPE
N/A		APPD: Dean Zhang 03/10'13	DWG NO.: 303-0000-2843
N/A		CHKD: Sean Han 03/10'13	
N/A		DR: J.W Zhang 03/10'13	

PART NO.	NOTES
3VD11201-D7A*-4H	1u" MIN GOLD FLASH
3VD11203-D7A*-4H	30u" MIN GOLD PLATING
3VD11207-D7A*-4H	15u" MIN GOLD PLATING

SCALE	SHEET	REV.
1:1	1/1	C