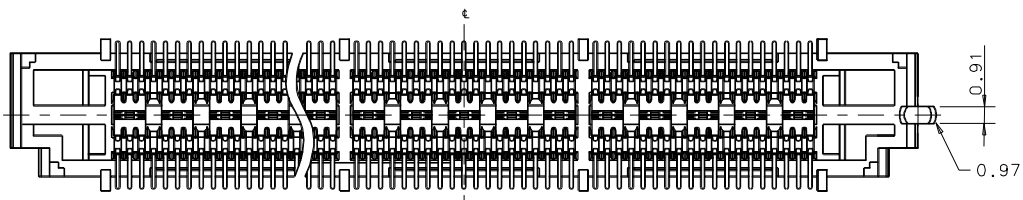
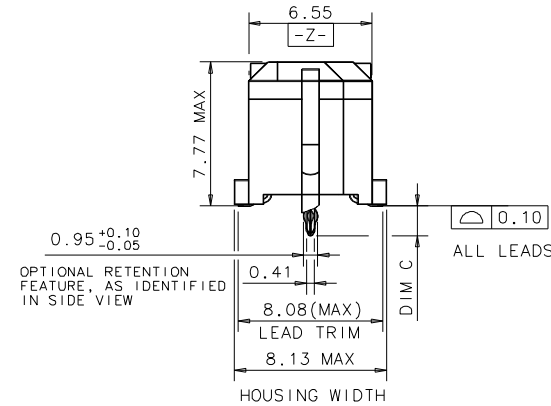
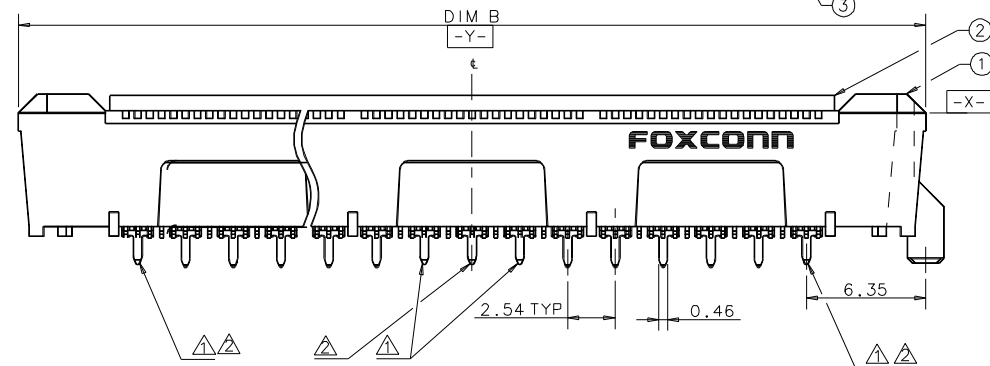
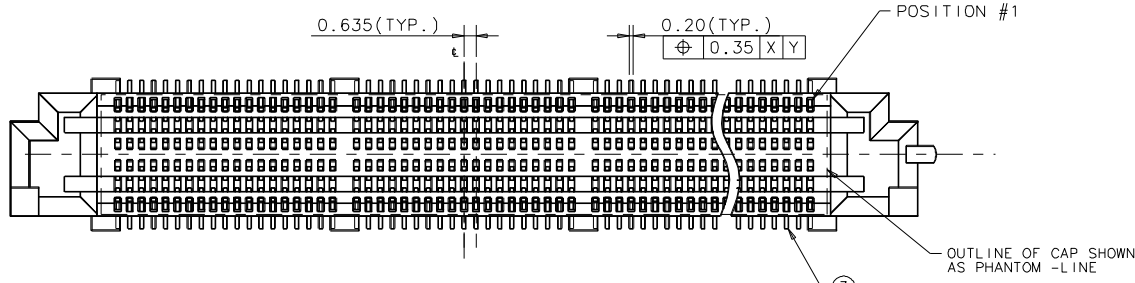


IDEAS GENERATED DRAWING, DON'T CHANGE BY HAND

REV.	ECN. NO.	APPD.
A	HC001545	K.P. CHEN
B	HC010539	Bruce Wu
C	HC012999	Bruce Wu
D	HC026754	Hosegawa
E	HC033783	Hosegawa
F	BC05719839	JOHN CHOW
G	BC-08-7041643	L.C.WU
H	BC-09-7048792	L.C.WU

NOTES: UNLESS OTHERWISE SPECIFIED.
 ⚠ OPTIONAL KINKED TYPE GROUND TAIL (4 PLACE)
 FOR POS NO. 76, 152, 228 & 304 POS
 ⚠ OPTIONAL KINKED TYPE GROUND TAIL (3 PLACE)
 FOR POS NO. 38, 114, 190 & 266 POS



PART LIST

2 T 6 1 - N N N - * * * - * *

POS NO.
 038: 38 POS.
 076: 76 POS.
 114: 114 POS.
 152: 152 POS.
 190: 190 POS.
 228: 228 POS.
 266: 266 POS.
 304: 304 POS.

LEAD-FREE CODE
 N: NONE
 F: LEAD-FREE

PACKAGING
 A: TUBE

PLASTIC COLOR & CONNECTOR RETENTION (KINKED GROUND TAIL)
 0: WHITE W/O RETENTION
 1: WHITE W/ RETENTION
 A: BLACK W/O RETENTION
 B: BLACK W/ RETENTION

GROUND BUS LEAD LENGTH
 1: 1.57mm
 2: 2.28mm
 3: 3.02mm
 RECESSED BUS LEAD

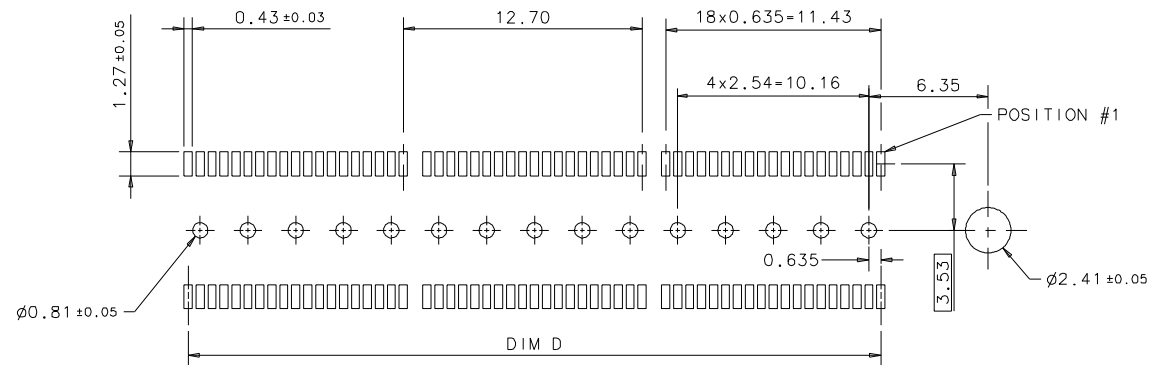
PLATING
 1: 1.27 um GOLD

ITEM	DESCRIPTION	MATERIAL	TREATMENT
3	CONTACT	COPPER ALLOY	1) 1.77um(70u*)MIN, NICKEL UNDERPLATING. 2) 3.81um(150u*)MIN. TIN LEAD OR LEAD FREE PLATING ON SOLDER AREA. 3) 1.27um(50u*)MIN, GOLD ON MATING AREA.
2	CAP	LCP	UL 94V-0
1	HOUSING	LCP	UL 94V-0
ITEM	DESCRIPTION	MATERIAL	TREATMENT
X. ±	X. ± 5. *	UNITS	mm
.X ± 0.20	.X ±	MAT'L	
.XX ± 0.10	.XX ±		
.XXX ±	.XXX ±	FINISH	
THESE DRAWINGS AND SPECIFICATIONS ARE THE PROPERTY OF HON HAI PRECISION IND. CO., LTD. AND SHALL NOT BE REPRODUCED, COPIED OR USED IN ANY MANNER WITHOUT THE PRIOR WRITTEN CONSENT OF HON HAI PRECISION IND. CO., LTD.		Q'TY	
NAME (INTENDED USE) FOXTOR 0.635P CONNECTOR, REC.		TITLE: CUSTOMER DRAWING	
PART NO. (INTENDED USE) 2T61-NNN-*****		DWG NO.:	
APPD: L.C.WU 5/7'09		323-0000-544	
CHKD: PIER 5/7'09		SCALE SHEET REV.	
DR: ROBIN 5/7'09		N/A 1/2 H	

IDEAS GENERATED DRAWING, DON'T CHANGE BY HAND.

REV.	ECN. NO.	APPD.
------	----------	-------

2T61-304-+13*---			3.02 [.119]	
2T61-304-+12*---			2.28 [.090]	
2T61-304-+11*---	304	111.76 [4.400]	1.57 [.062]	97.79 [3.850]
2T61-266-+13*---			3.02 [.119]	
2T61-266-+12*---			2.28 [.090]	
2T61-266-+11*---	266	99.06 [3.900]	1.57 [.062]	87.63 [3.450]
2T61-228-+13*---			3.02 [.119]	
2T61-228-+12*---			2.28 [.090]	
2T61-228-+11*---	228	86.36 [3.400]	1.57 [.062]	74.93 [2.950]
2T61-190-+13*---			3.02 [.119]	
2T61-190-+12*---			2.28 [.090]	
2T61-190-+11*---	190	73.66 [2.900]	1.57 [.062]	62.23 [2.450]
2T61-152-+13*---			3.02 [.119]	
2T61-152-+12*---			2.28 [.090]	
2T61-152-+11*---	152	60.96 [2.400]	1.57 [.062]	49.53 [1.950]
2T61-114-+13*---			3.02 [.119]	
2T61-114-+12*---			2.28 [.090]	
2T61-114-+11*---	114	48.26 [1.900]	1.57 [.062]	36.83 [1.450]
2T61-076-+13*---			3.02 [.119]	
2T61-076-+12*---			2.28 [.090]	
2T61-076-+11*---	76	35.56 [1.400]	1.57 [.062]	24.13 [0.950]
2T61-038-+13*---			3.02 [.119]	
2T61-038-+12*---			2.28 [.090]	
2T61-038-+11*---	38	22.86 [.900]	1.57 [.062]	11.43 [0.450]
RECEPTACLE PART NO	POS NO	DIM. B	DIM. C MAX SOLDER TAIL LENGTH	DIM. D



RECOMMENDED PC BOARD LAYOUT

17.00[.670] EXTENDER	323-0000-1592
17.96[.707] EXTENDER	323-0000-1592
21.59[.850] EXTENDER	323-0000-1592
22.86[.900] EXTENDER	323-0000-1592
26.97[1.062] EXTENDER	323-0000-1592
29.03[1.143] EXTENDER	323-0000-1592
31.88[1.255] EXTENDER	323-0000-1592
10.92-12.57 PLUG [.430-.495]	323-0000-545
MATING COMPONENT	DRAWING NUMBER

X. ±	X.* ± 5.*	UNITS	mm	NAME (INTENDED USE)	FOXCONN HON HAI PRECISION IND. CO., LTD. TAIPEI, TAIWAN, R.O.C.
.X ± 0.20	.X* ±	MAT'L		FOXTOR 0.635P CONNECTOR, REC.	TITLE: CUSTOMER DRAWING
.XX ± 0.10	.XX* ±	FINISH		PART NO. (INTENDED USE) 2T61-NNN-*****	DWG NO.: 323-0000-544
.XXX ±	.XXX* ±	Q'TY		APPD: L.C.WU 5/7'09	SCALE SHEET REV. N/A 2/2 H
THESE DRAWINGS AND SPECIFICATIONS ARE THE PROPERTY OF HON HAI PRECISION IND. CO., LTD. AND SHALL NOT BE REPRODUCED, COPIED OR USED IN ANY MANNER WITHOUT THE PRIOR WRITTEN CONSENT OF HON HAI PRECISION IND. CO., LTD.				CHKD: PIER 5/7'09	DR: ROBIN 5/7'09