

**SPECIFICATIONS**

**Mechanical**

Contact Retention Force: 0.5Kg min.

**Electrical**

Voltage Rating: 500V

Current Rating: 1A

Contact Resistance: 20mΩ max.

Dielectrical Withstanding Voltage: 750V

Insulation Resistance: 10000MΩ min.

**Physical**

Housing: PBT, UL 94-0, Gray

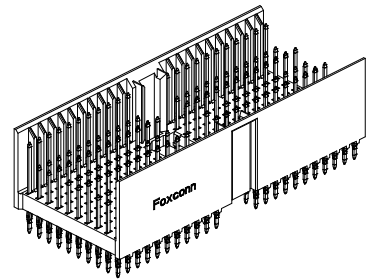
Contact: Phosphor Bronze

Plating: See "ORDERING INFORMATION"

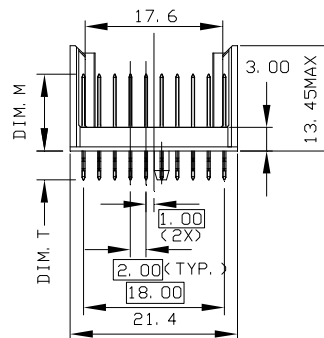
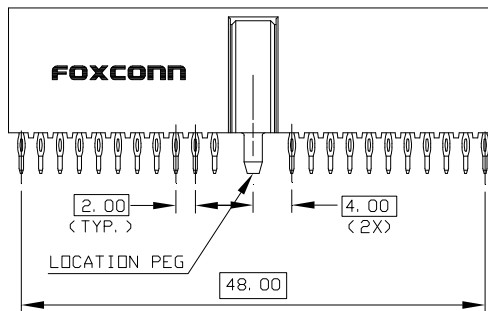
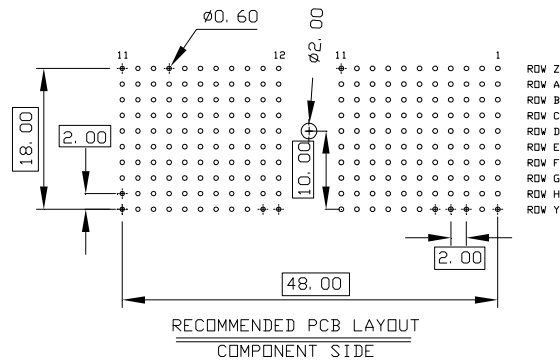
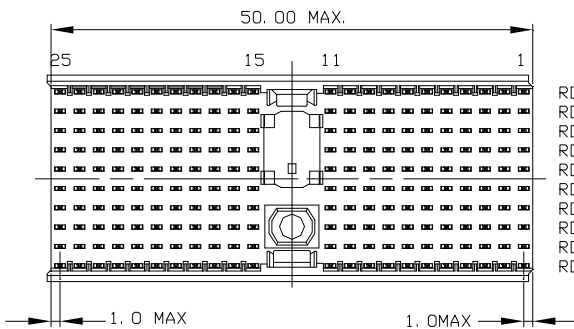
Operating Temperature: -55°C to +125°C

**HARD METRIC CONNECTOR**

2H Series  
Hard Metric Header  
Type D  
Press Fit Type  
2.0mm Pitch  
8+2 Row



**DRAWING**



**ORDERING INFORMATION**

PRODUCT NO.: 2H1\*\*\*\*\*-D\*\*\*\*

- Row No. ———— 8:8 Row  
A:8+2Row
- Column No.: ———— 22:22 Column
- Location Peg: ———— 0:W/O Location Peg  
1:W/ Location Peg
- Plating Spec. ———— 1:Gold Flash  
3:30u" (0.76um) FPT Plating  
5:50u" (1.27um) Au Plating
- Selective Pin Pattern
- Option For Tail Length and Hot Swap
- Extension Code  
N, S, E, F