

IDEAS GENERATED DRAWING, DO NOT CHANGE BY HAND.

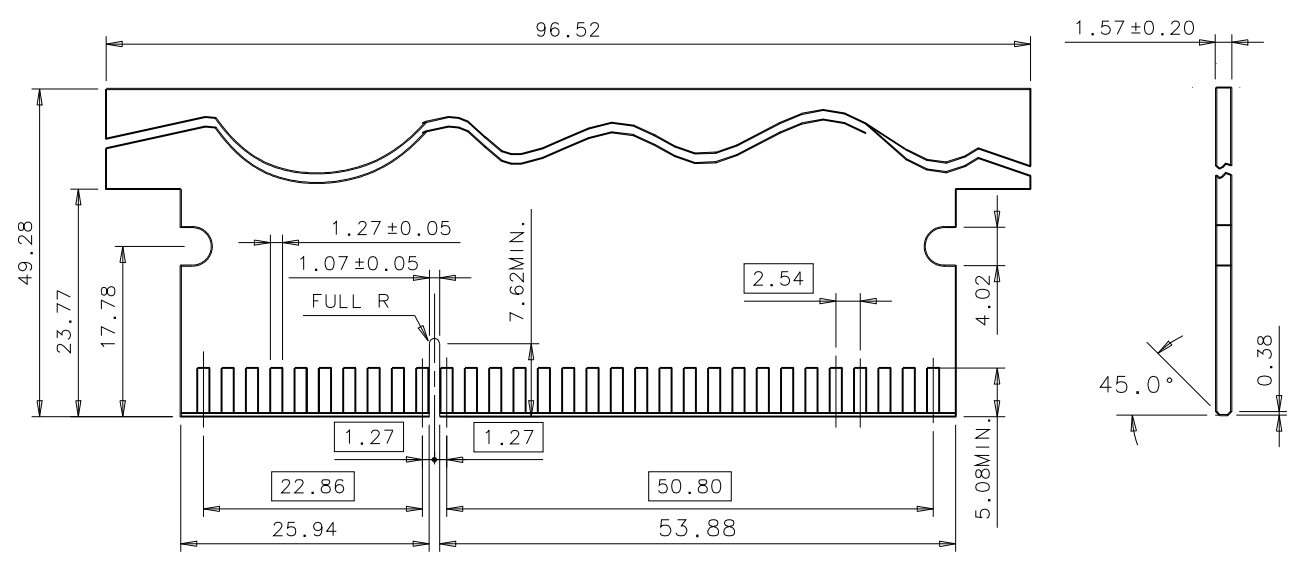
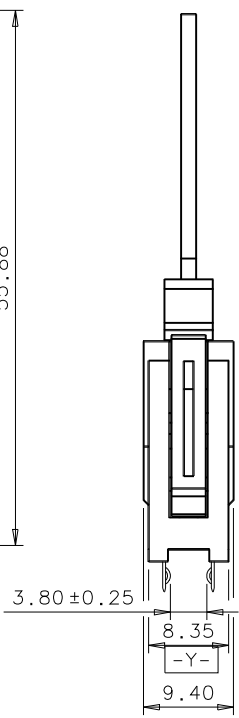
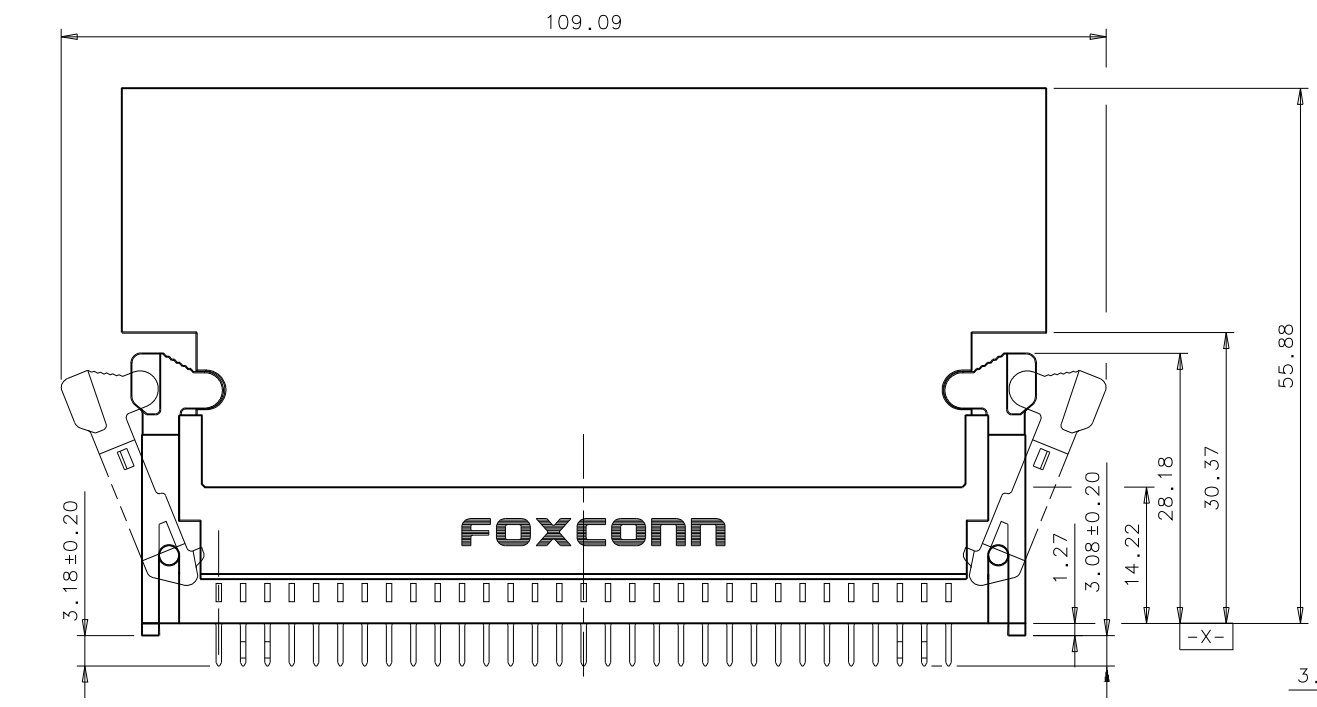
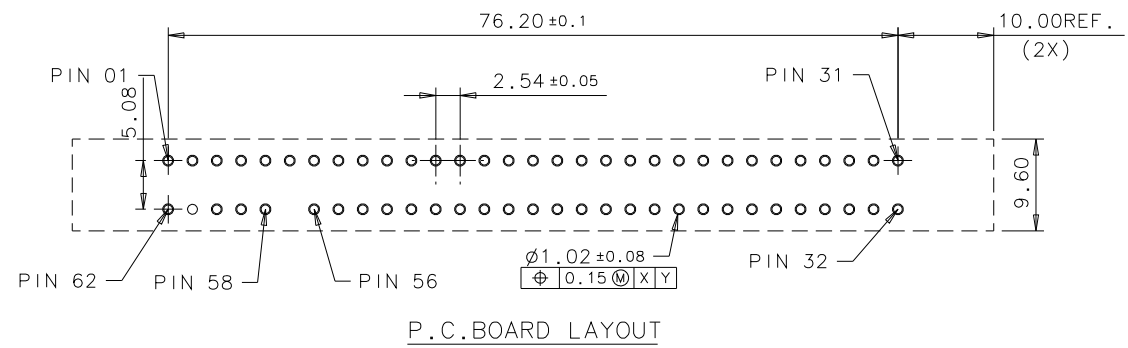
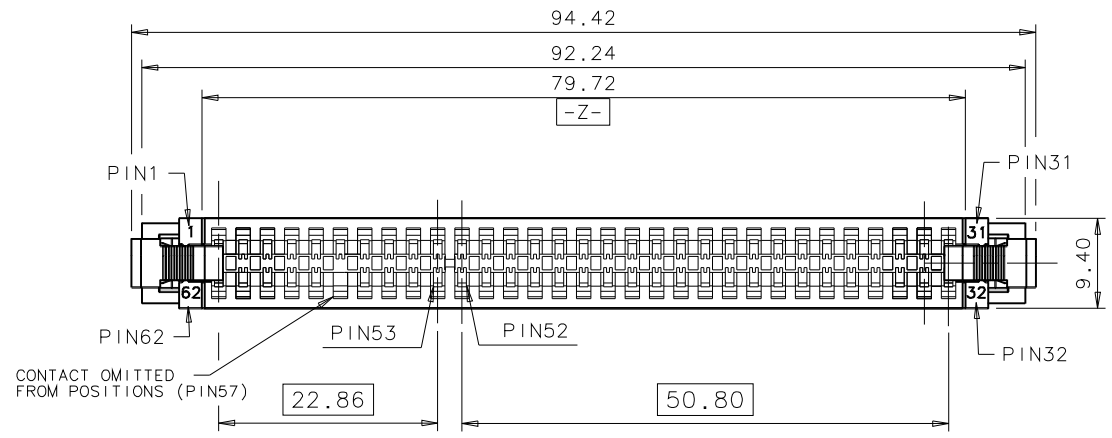
REV.	ECN. NO.	APPD.
A	HC027005	R.Li
B	HC027329	N.Lin
C	HC031051	N.Lin

NOTES:

1. MATERIAL:  
HOUSING: THERMOPLASTIC, UL 94V-0.  
CONTACT: COPPER ALLOY.  
LATCH: THERMOPLASTIC, UL 94V-0.
2. THIS CONNECTOR IS ACCORDING TO INTEL VRM SPEC. 0.91.
3. ALL DIMENSIONS ARE IN MMS.
4. HARMFUL MATERIAL CONTROL PLEASE FOLLOW DOC. NO. "EPI12".
5. FINISH

CONTACT AREA	
2EV04607-NW	15u" GOLD MIN. OVER 50u" NICKEL MIN.
2EV04603-NW	30u" GOLD MIN. OVER 50u" NICKEL MIN.

SOLDER TAIL: 100u" TIN/LEAD MIN. OVER 50u" NICKEL MIN.



PART LIST  
2EV0460\*-NW

P/N	2EV04603-NW
P/N	2EV04607-NW

X. ±	X.° ± 2°	UNITS	mm	NAME (INTENDED USE)	<b>FOXCONN</b> HON HAI PRECISION IND. CO., LTD. TAIPEI, TAIWAN, R.O.C.
.X ± 0.38	.X° ± 1°	MAT'L		VRM	
.XX ± 0.25	.XX° ±			PART NO. (INTENDED USE) 2EV0460*-NW	
.XXX ±	.XXX° ±	FINISH		APPD: Nick Lin Mar.03'03	
THESE DRAWINGS AND SPECIFICATIONS ARE THE PROPERTY OF HON HAI PRECISION IND. CO., LTD. AND SHALL NOT BE REPRODUCED, COPIED OR USED IN ANY MANNER WITHOUT THE PRIOR WRITTEN CONSENT OF HON HAI PRECISION IND. CO., LTD.				Q'TY	TITLE: CUSTOMER DRAWING FOR VRM 10.0 DWG NO.: 309-0100-173
				CHKD: Jack Zhang Feb.24'03	SCALE SHEET REV. N/A 1/1 C
				DR: Jeason Huang Feb.24'03	