

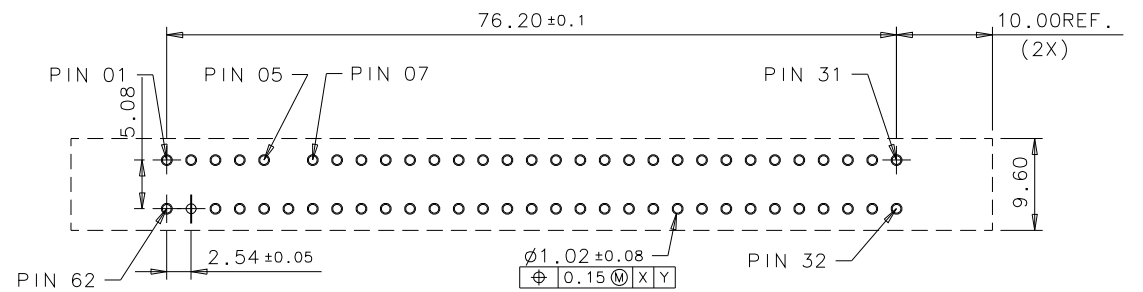
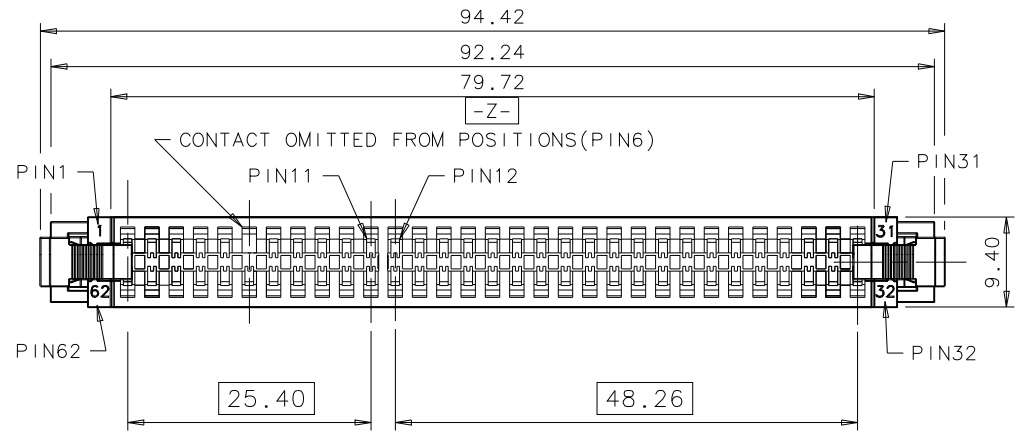
IDEAS GENERATED DRAWING, DO NOT CHANGE BY HAND.

REV.	ECN. NO.	APPD.
A	HC012053	M.Lin
B	HC021157	N.Lin
C	HC026226	N.Lin
D	HC027396	N.Lin
E	HC035343	N.Lin

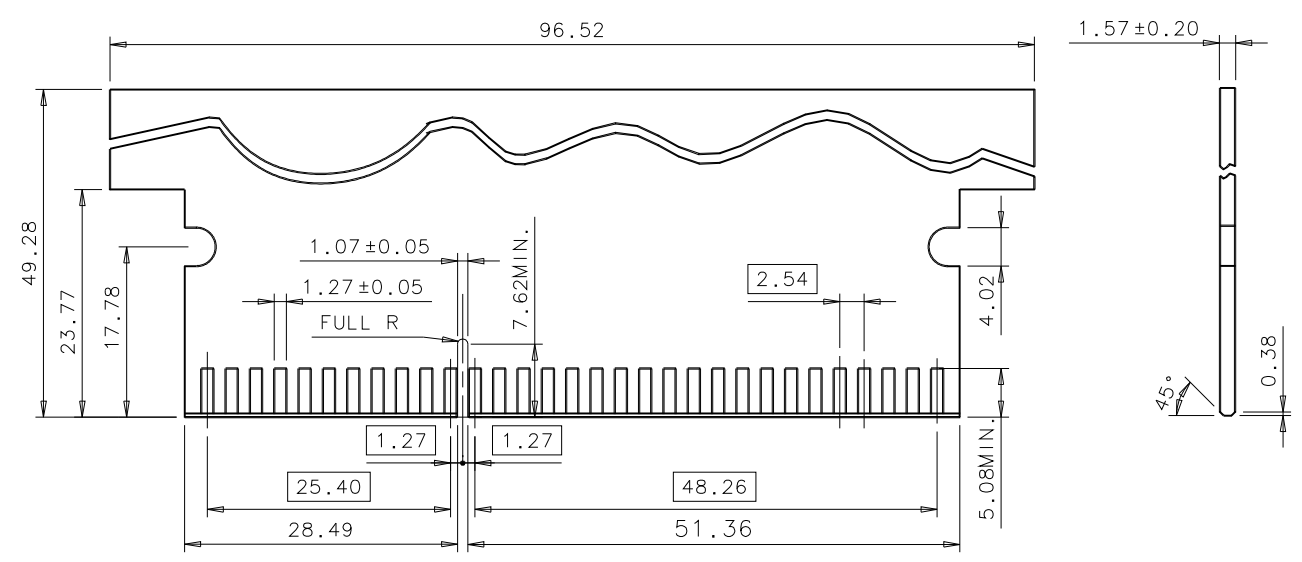
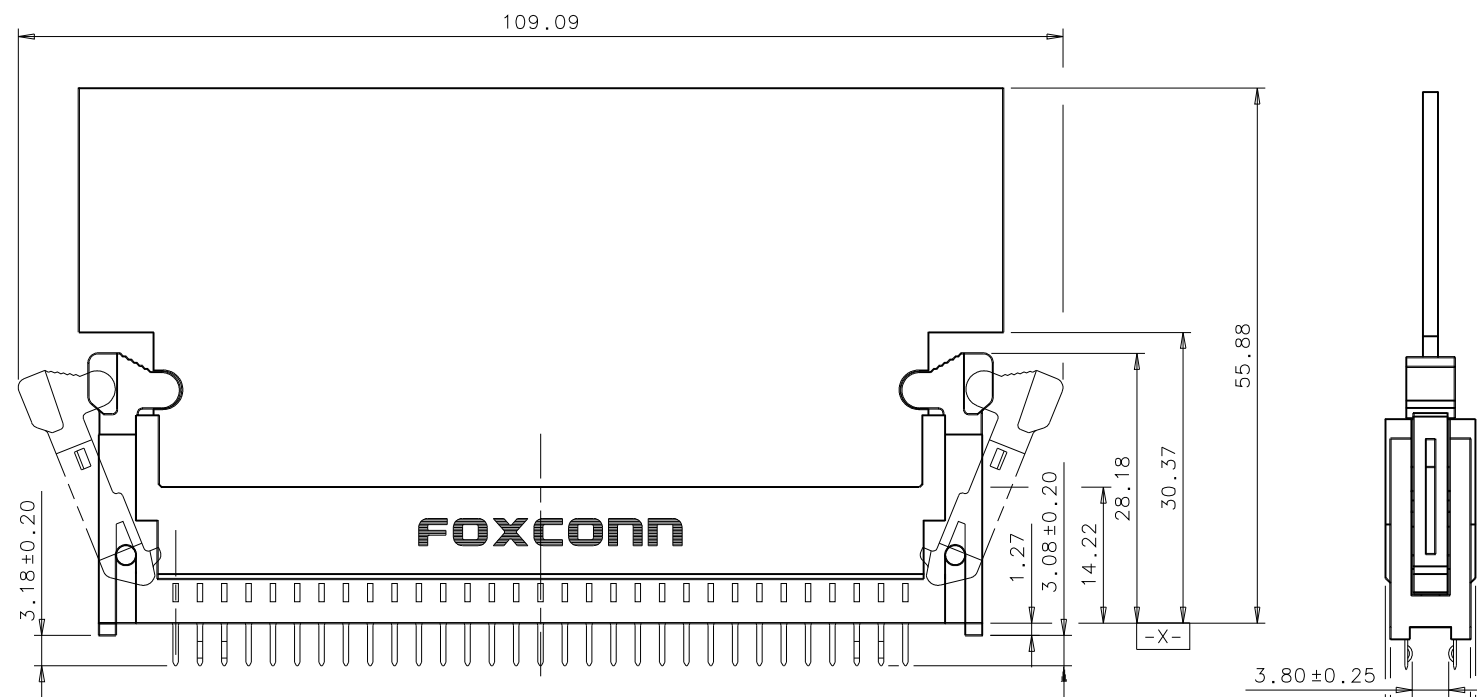
NOTES:

- MATERIAL:
HOUSING: THERMOPLASTIC, UL 94V-0.
CONTACT: COPPER ALLOY.
LATCH: THERMOPLASTIC, UL 94V-0.
- THIS CONNECTOR IS ACCORDING TO INTEL VRM SPEC. 0.91.
- ALL DIMENSIONS ARE IN MMS.
- HARMFUL MATERIAL CONTROL PLEASE FOLLOW DOC. "EPI 12".
- PRODUCTION DESCRIPTION

PART NO.	DESCRIPTION
2EV03C07-PW	PLATING AU: 15u" MIN.
2EV03D07-PW	PLATING AU: 30u" MIN.
2EV03D03-PW	PLATING AU: 30u" MIN.



P.C. BOARD LAYOUT



RECOMMENDED DAUGHTER CARD LAYOUT

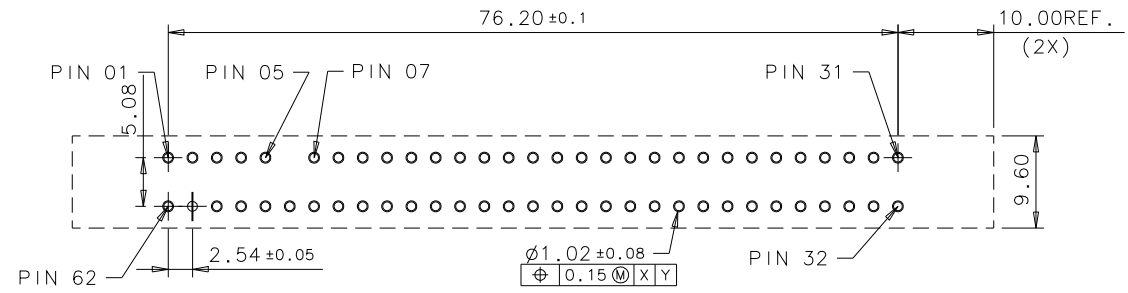
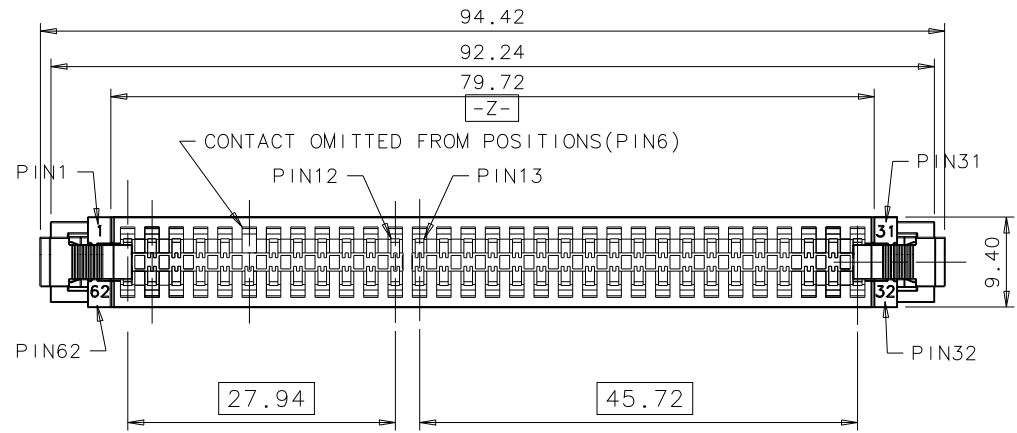
PART LIST
2EV03C07-PW

X.±	X.° ± 2°	UNITS	mm	NAME (INTENDED USE)	FOXCONN
.X± 0.38	.X° ± 1°	MAT'L		VRM	HON HAI PRECISION IND. CO., LTD. TAIPEI, TAIWAN, R.O.C.
.XX± 0.25	.XX° ±	FINISH		PART NO. (INTENDED USE) 2EV03*0*-PW	TITLE: CUSTOMER DRAWING FOR VRM9.1
.XXX±	.XXX° ±	Q'TY		APPD: Nick Lin Aug.04'03	DWG NO.: 309-0100-058
<small>THESE DRAWINGS AND SPECIFICATIONS ARE THE PROPERTY OF HON HAI PRECISION IND. CO., LTD. AND SHALL NOT BE REPRODUCED, COPIED OR USED IN ANY MANNER WITHOUT THE PRIOR WRITTEN CONSENT OF HON HAI PRECISION IND. CO., LTD.</small>				CHKD: Jack Zhang Aug.01'03	SCALE SHEET REV. N/A 1/2 E
				DR: Hong Wang Aug.01'03	

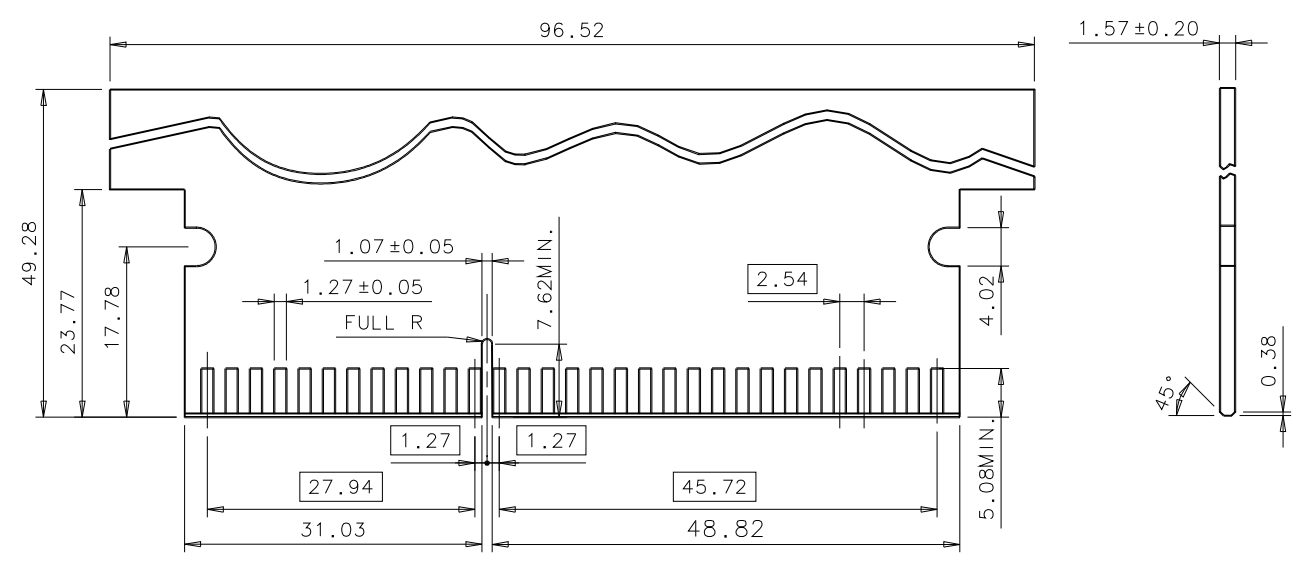
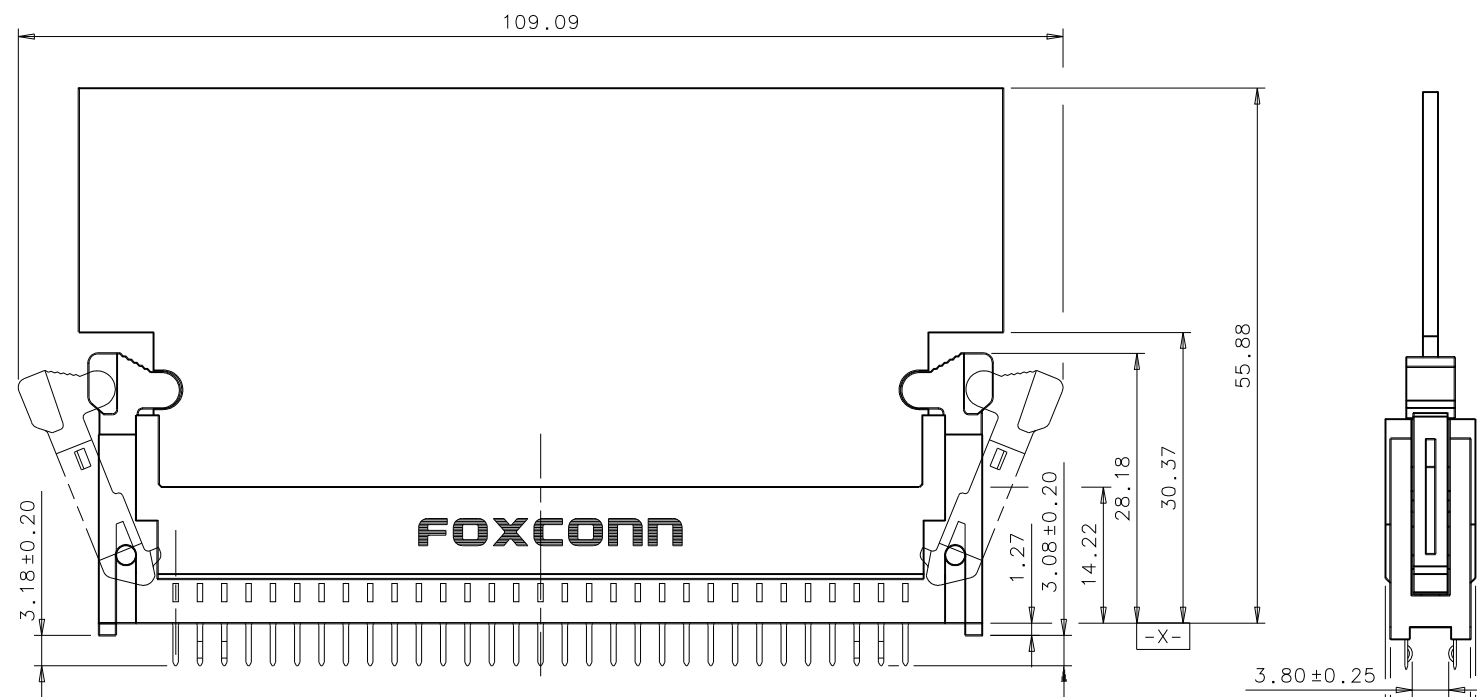
P/N	2EV03C07-PW	KEY BETWEEN PIN11&PIN12 BE FILLED
1	2	3

IDEAS GENERATED DRAWING, DO NOT CHANGE BY HAND.

REV.	ECN. NO.	APPD.



P.C. BOARD LAYOUT



RECOMMENDED DAUGHTER CARD LAYOUT

PART LIST
2EV03D0*-PW

P/N	2EV03D07-PW	KEY BETWEEN PIN12&PIN13 BE FILLED
P/N	2EV03D03-PW	KEY BETWEEN PIN12&PIN13 BE FILLED

ⓔ

X. ±	X.° ± 2°	UNITS mm	NAME (INTENDED USE)	FOXCONN HON HAI PRECISION IND. CO., LTD. TAIPEI, TAIWAN, R.O.C.
.X ± 0.38	.X° ± 1°	MAT'L	VRM	
.XX ± 0.25	.XX° ±	FINISH	PART NO. (INTENDED USE)	TITLE:
.XXX ±	.XXX° ±		2EV03*0*-PW	CUSTOMER DRAWING FOR VRM 9.1
THESE DRAWINGS AND SPECIFICATIONS ARE THE PROPERTY OF HON HAI PRECISION IND. CO., LTD. AND SHALL NOT BE REPRODUCED, COPIED OR USED IN ANY MANNER WITHOUT THE PRIOR WRITTEN CONSENT OF HON HAI PRECISION IND. CO., LTD.			APPD: Nick Lin Aug.04'03	DWG NO.: 309-0100-058
			CHKD: Jack Zhang Aug.01'03	SCALE SHEET REV.
			DR: Hong Wong Aug.01'03	N/A 2/2 E