

SPECIFICATIONS

PCI-E Connector

Mechanical

Contact Retention Force: 0.50Kg min. per contact
Durability: 50 Cycles
Insertion Force(Conn. Into PCB): 0.117Kg max.
Unmating Force(Per Contact pair): 0.154Kg min.

2EG0 Series

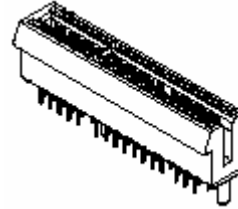
T/H Type

1.00mm [.039"] Pitch

64 Pos.

Electrical

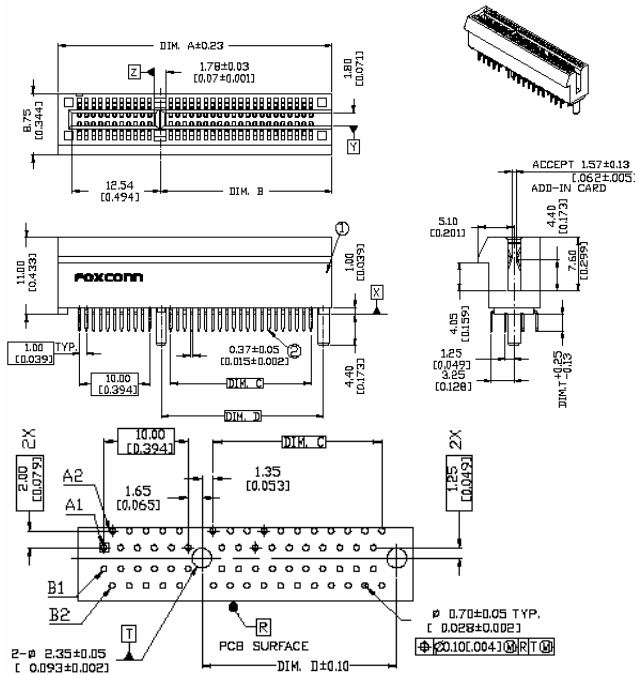
Current Rating: 1.1 Amps per pin max.
Insulation Resistance: 1000MΩ min. at 500V DC
Dielectric Withstanding Voltage: Apply 500VAC for 1 minute between adjacent terminals of an unmated connector. No breakdown.
Low Level Contact Resistance: 30mΩ max. initial, Change not greater than 20mΩ Max.



Physical

Housing: Thermoplastic, UL 94V-0 rated in White Color
Contact: Copper alloy
Operating Temperature: -40 °C to +105 °C

DRAWING



RECOMMENDED PCB LAYOUT

ORDERING INFORMATION

PROD. NO.: 2EG 0 ** * * - D2LB- **

FIELD PRODUCT SERIES:
2EG= PCI EXPRESS

TERMINAL TYPE:
0= VERTICAL TYPE

NO. OF POS.
18= 36 POSITIONS
32= 64 POSITIONS
49= 98 POSITIONS
82= 164 POSITIONS

PLATING TYPE:
DF= LEAD FREE

EXTENSION CODE

CONTACT AREA GOLD PLATING:
1= GOLD FLASH
7= 15u" GOLD
3= 30u" GOLD

TAIL LENGTH:
1= 2.30mm
2= 3.10mm

2EG082**-D2LB-DF	89.00	74.15	70.00	73.15
2EG049**-D2LB-DF	56.00	41.50	37.00	40.15
2EG032**-D2LB-DF	39.00	24.50	20.00	23.15
2EG018**-D2LB-DF	25.00	10.50	6.00	9.15
PRODUCT NUMBER	DIM. A	DIM. B	DIM. C	DIM. D

2EG0**2*-D2LB-DF	3.10
2EG0**1*-D2LB-DF	2.30
PRODUCT NUMBER	DIM. T