

**SPECIFICATIONS**

**Mechanical**

**Contact Retention Force:** 0.25Kg min.

**Electrical**

**Voltage Rating:** 500V

**Current Rating:** 30A

**Contact Resistance:** 1mΩ max.

**Dielectrical Withstanding Voltage:** 2000V

**Insulation Resistance:** 5000MΩ min.

**Physical**

**Housing:** LCP, UL 94-0 rated, Ivory White

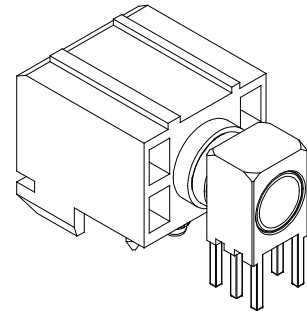
**Contact:** Phosphor Bronze

**Plating:** See "ORDERING INFORMATION"

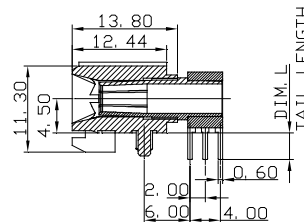
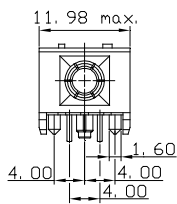
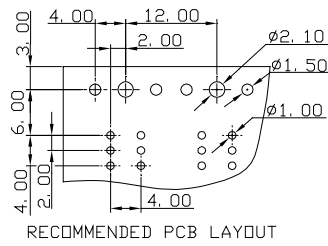
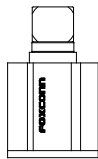
**FUTURE BUS CONNECTOR**

**1F Series**

**REC., power connector**



**DRAWING**



**ORDERING INFORMATION**

PRODUCT NO.: 1 F 6 4 0 0 1 \* - S 4 0 L 0 \* - \*\*

- |                                 |                     |
|---------------------------------|---------------------|
| POS. NO.: _____                 | Lead Free Code:     |
| 001=001 pos.                    | N=None              |
| Mating Area Plating:            | F=Lead Free         |
| 7=15u"(0.40um)MIN. GOLD PLATING | Package Type:       |
| 5=50u"(1.27um)MIN. GOLD PLATING | D=Box               |
| Tail Style: _____               | Extension Code:     |
| S=Solder Type                   | N,T,L,M             |
|                                 | <b>BODY STYLE</b>   |
|                                 | L0=Future Bus Power |
|                                 | Tail Length(DIM.L)  |
|                                 | 4=3.50mm            |