

**SPECIFICATIONS**

**Mechanical**

Contact Retention Force: 0.50Kg min.

**Electrical**

Voltage Rating: 750V

Current Rating: 2.75A

Contact Resistance: 10mΩ max.

Dielectrical Withstanding Voltage: 1000V

Insulation Resistance: 1000MΩ min.

**Physical**

Housing: LCP, UL 94-0 rated, Ivory White

Contact: Phosphor Bronze

Plating: See "ORDERING INFORMATION"

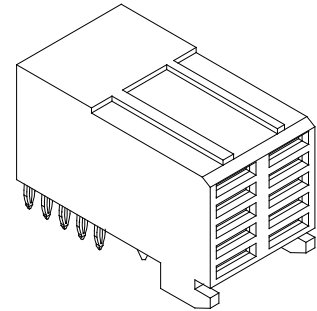
**FUTURE BUS CONNECTOR**

1F Series

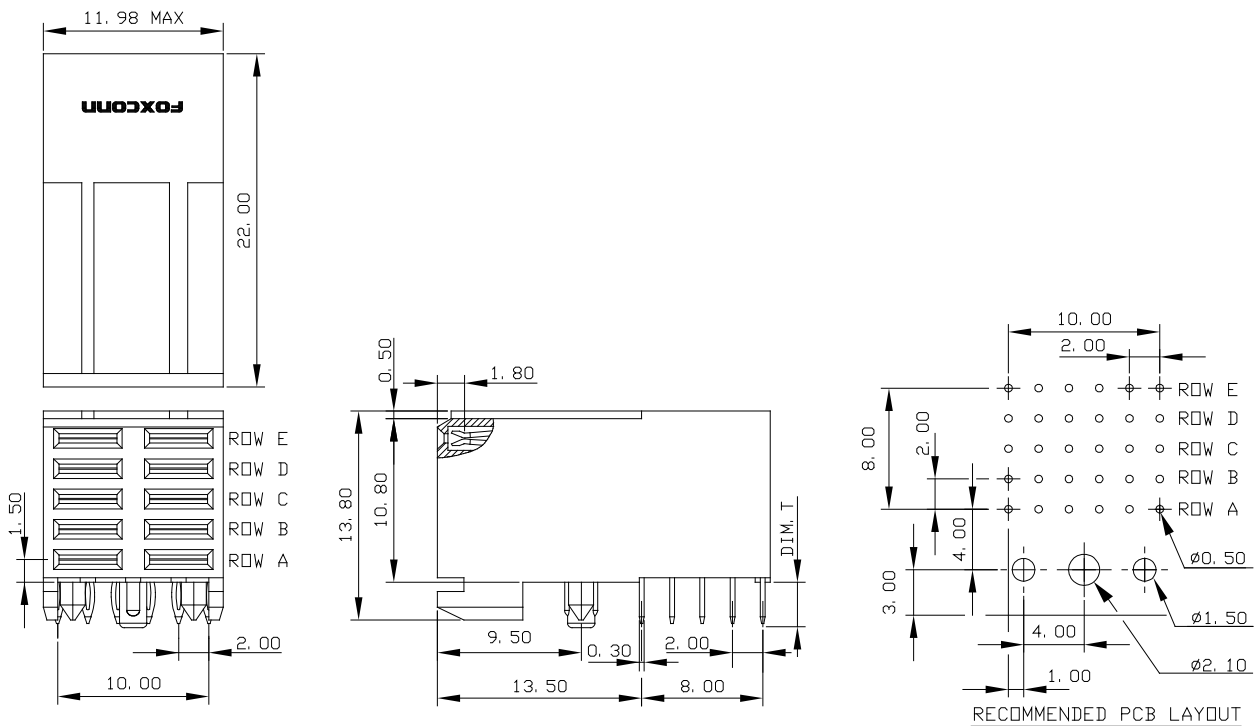
Power Rec. Press Fit Type

2.0mm Pitch

5 Rows



**DRAWING**



**ORDERING INFORMATION**

PRODUCT NO.: 1 F 2 4 0 1 0 \* - P \* 0 1 0 \* - \*\*

- POS. NO.(N) —————
- 010: 10 POS.
- Mating Area Plating, —————
- 1 : GOLD FLASH
- 3 : 0.76um(30u")MIN. GOLD PLATING
- 5 : 1.27um(50u")MIN. GOLD PLATING
- 6 : 0.25um(10u")MIN. GOLD PLATING
- A : 0.76um(30u")MIN. FPT PLATING, 0.25um(10u")MIN. GOLD PLATING
- Tail Style —————
- P : PRESS FIT TYPE
- Tail Length (DIM.T) —————
- 2 : 2.73mm
- Lead Free Code —————
- N: NONE
- F: LEAD FREE PLATING
- Package Type —————
- A: TUBE
- Extension Code —————
- N,T,A,B
- Body Style —————
- 10: STANDARD PART