

SPECIFICATIONS

Mechanical

Contact Retention Force: 0.50Kg min.

Electrical

Voltage Rating: 750V

Current Rating: 1A

Contact Resistance: 55mΩ max.

Dielectrical Withstanding Voltage: 1000V

Insulation Resistance: 1000MΩ min.

Physical

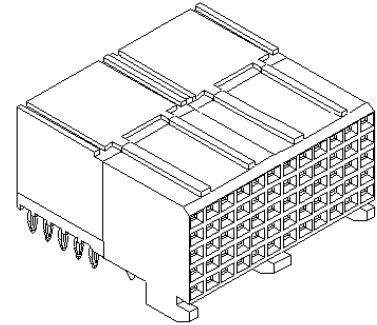
Housing: LCP, UL 94-0, Ivory White

Contact: Phosphor Bronze

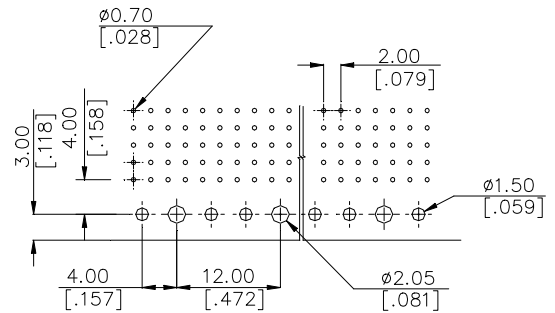
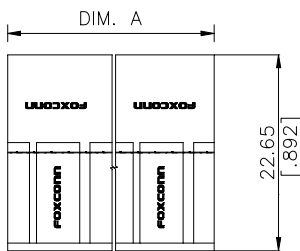
Plating: See "ORDERING INFORMATION"

FUTURE BUS CONNECTOR

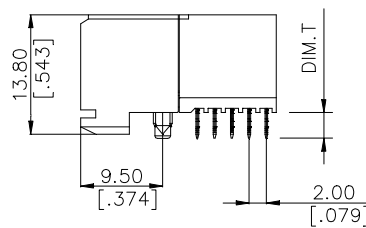
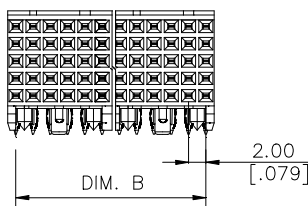
1F Series,
Rec. Press Fit Type
2.0mm Pitch
5Rows



DRAWING



RECOMMENDED P.C.B. LAYOUT



ORDERING INFORMATION

PRODUCT NO.: 1 F 2 2 * * * * - P * 0 1 0 N - A *

POS. NO.

030: 30 POS.

060: 60 POS.

090: 90 POS.

120: 120 POS.

150: 150 POS.

240: 240 POS.

MATING AREA PLATING

1: GOLD FLASH

3: 0.76um(30u")MIN. GOLD PLATING

5: 1.27um(50u")MIN. GOLD PLATING

6: 0.25um(10u")MIN. GOLD PLATING

A: 0.76um(30u")MIN. FPT PLATING

LEAD FREE CODE

N: NONE

F: LEAD FREE PLATING

TAIL LENGTH (T)

1: 2.95mm

2: 2.73mm

3: 3.53mm

1F22240*-P*010N-AN	240	95.90	94.00
1F22150*-P*010N-AN	150	59.90	58.00
1F22120*-P*010N-AN	120	47.90	46.00
1F22090*-P*010N-AN	90	35.90	34.00
1F22060*-P*010N-AN	60	23.90	22.00
1F22030*-P*010N-AN	30	11.90	10.00
P/N	POS.	DIM. A	DIM. B