

**SPECIFICATIONS**

**Mechanical**

Contact Retention Force: 0.5Kg min.

**Electrical**

Voltage Rating: 750V

Current Rating: 1A

Contact Resistance: 45mΩ max.

Dielectrical Withstanding Voltage: 1000V

Insulation Resistance: 1000MΩ min.

**Physical**

Housing: LCP, UL 94-0 rated, Ivory White

Contact: Phosphor Bronze

Plating: See "ORDERING INFORMATION"

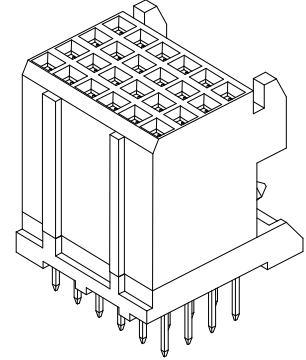
**FUTURE BUS CONNECTOR**

1F Series

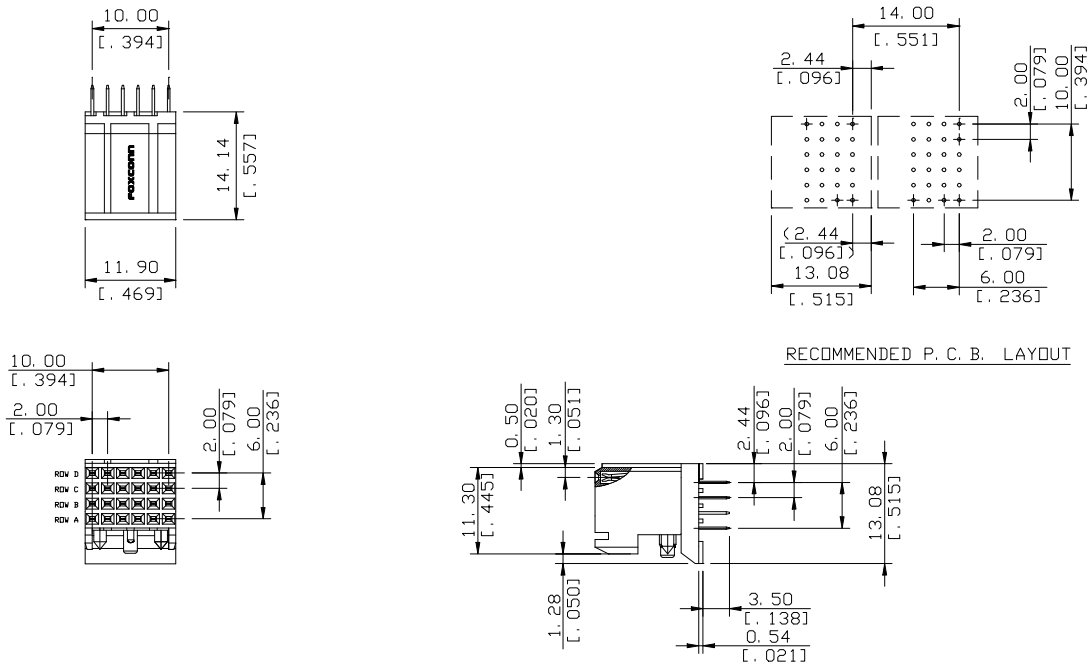
Rec. Solder Type

2.0mm [.078"] Pitch

4 Rows



**DRAWING**



**ORDERING INFORMATION**

PRODUCT NO.: 1 F 1 2 0 2 4 \* - S 4 0 3 0 \* - \* \*

POS. NO.: \_\_\_\_\_  
024=024 pos.

Mating Area Plating: \_\_\_\_\_

- 3=0.76um(30u")MIN. GOLD PLATING
- 5=1.27um(50u")MIN. GOLD PLATING
- A=0.76um(30u")MIN. GOLD PLATING
- 0.25um(10u")MIN. GOLD INCLUDED
- D=1.27um(50u")MIN. FPT PLATING,
- 0.25um(10u")MIN. GOLD INCLUDED
- K=0.51um(20u")MIN. FPT PLATING,
- 0.13um( 5u")MIN. GOLD INCLUDED

Lead Free Code:

- N=None
- F=Lead Free

Package Type:

- A=Tube

Extension Code:

- N=Normal Plating

BODY STYLE

- 30=Vertical body

Tail Length(DIM: T):

- 4=3.5mm

Tail Style:

- S=Solder type