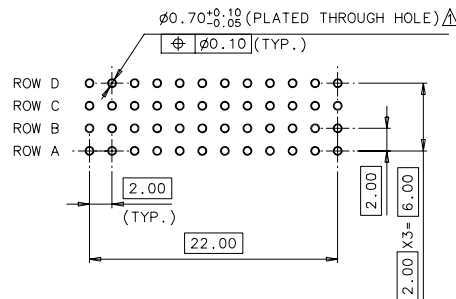
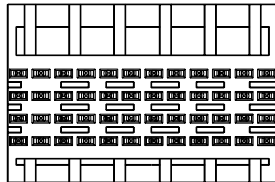
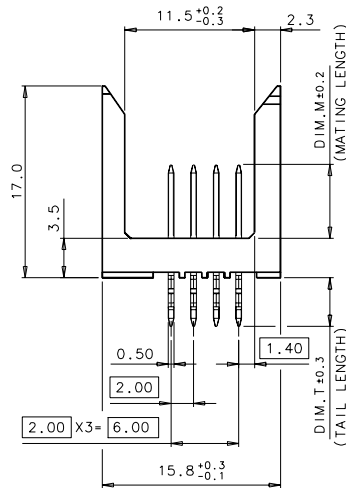
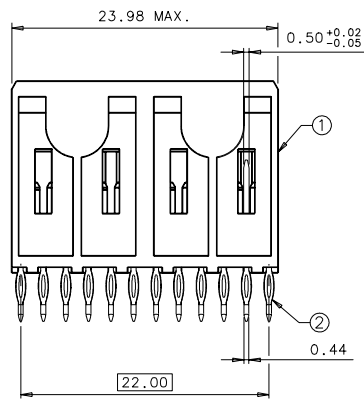
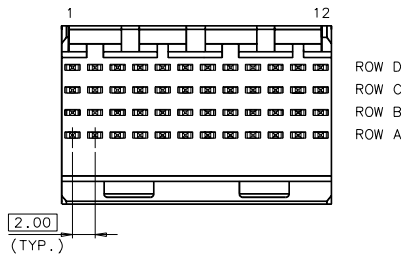


IDEAS GENERATED DRAWING DON'T CHANGE BY HAND.

REV.	ECN. NO.	APPD.
A	BC05745321	JOHN CHOW
B	BC06700784	JOHN CHOW
C	BC06732078	JOHN CHOW
D	BC06747610	JOHN CHOW
E	BC06764707	JOHN CHOW



RECOMMENDED PCB LAYOUT
(COMPONENT SIDE)

NOTES: UNLESS OTHERWISE SPECIFIED.

- Δ PRESS FIT HOLES:
- HOLE DIAMETER AFTER PLATING: 0.65~0.80mm.
 - DRILLED HOLE: 0.81~0.86mm.
 - COPPER PLATING: 0.025mm MIN.
 - TIN-LEAD OR LEAD FREE PLATING: 0.005~0.015mm.
2. ELECTRICAL CHARACTERISTICS:
- CURRENT RATING: 1A MAX. PER CONTACT WITH ALL CONTACTS ENERGIZED.
 - DIELECTRIC WITHSTANDING VOLTAGE: 1000 V A.C.
3. MECHANICAL CHARACTERISTICS:
- THE PRESS FIT INSERTION FORCE TO BE 100 N MAX. PER PIN AND THE WITHDRAWAL FORCE TO BE 20 N MIN. PER PIN.
 - THE MATING FORCE OF HEADER & REC. TO BE 0.45 N MAX. PER PIN AND THE UNMATING FORCE TO BE 0.15 N MIN. PER PIN.
4. DESIGNED TO CONFORM WITH IEC 61076-4-104.

PART LIST

POS. NO.	1 F 1 1 0 4 8 * - P * * 1 S * - * *	LEAD FREE CODE
048: 48POS.		N: NONE
		F: LEAD FREE PLATING
		PACKAGE TYPE
		A: TUBE
		EXTENSION CODE
		N, T, L, M, A, B, C, D
		BODY STYLE
		SELECTIVE PIN PATTERN (DETAIL SEE NEXT PAGE)
		TAIL STYLE
		P: PRESS FIT TYPE

PLATING SPEC.

1: GOLD FLASH

3: 0.76um(30u*)MIN. GOLD PLATING

5: 1.27um(50u*)MIN. GOLD PLATING

6: 0.25um(10u*)MIN. GOLD PLATING

A: 0.76um(30u*)MIN. FPT PLATING

0.25um(10u*)MIN. GOLD INCLUDED.

B: 0.76um(30u*)MIN. FPT PLATING

0.25um(10u*)MIN. GOLD INCLUDED.

C: 1.27um(50u*)MIN. FPT PLATING

0.50um(20u*)MIN. GOLD INCLUDED.

D: 1.27um(50u*)MIN. FPT PLATING

0.25um(10u*)MIN. GOLD INCLUDED.

2	CONTACT	PHOSPHOR BRONZE	1) 2.54um(100u*)MIN. NICKEL UNDERPLATING. 2) 0.76um(30u*)MIN. TIN LEAD OR LEAD FREE PLATING ON PRESS FIT AREA. 3) PLATING SPEC. OF MATING AREA, DETAIL REFER TO PART LIST.
1	HOUSING	LCP	IVORY WHITE, UL 94V-0
ITEM	DESCRIPTION	MATERIAL	TREATMENT
X. ±	X. * ±	UNITS mm	NAME (INTENDED USE)
.X ± 0.20	.X * ±	MAT'L	FUTURE BUS HEADER CONNECTOR
.XX ± 0.10	.XX * ±	N/A	PART NO. (INTENDED USE)
.XXX ±	.XXX * ±	FINISH	1F11048*-P**1S*-**
		N/A	TITLE: CUSTOMER DRAWING PRESS FIT SIGNAL TYPE W/ SELECTIVE PIN
THESE DRAWINGS AND SPECIFICATIONS ARE THE PROPERTY OF HON HAI PRECISION IND. CO., LTD. AND SHALL NOT BE REPRODUCED, COPIED OR USED IN ANY MANNER WITHOUT THE PRIOR WRITTEN CONSENT OF HON HAI PRECISION IND. CO., LTD.		Q'TY	APPD: JOHN CHOW 10/21'06
			CHKD: CAMVARD 10/20'06
			DR: ARES HUANG 10/18'06
			DWG NO.: 343-0000-1108
			SCALE SHEET REV.
			N/A 1/2 E

A
B
C
D
E
F
G

PRODUCT NUMBER	MODULE 1						MODULE 2					
	1	2	3	4	5	6	7	8	9	10	11	12
1F11048*-P011S*---	D	-	-	12	12	-	-	12	12	12	12	12
	C	12	12	12	12	12	12	12	12	12	12	12
	B	12	12	12	12	12	12	12	12	12	12	12
	A	-	-	-	-	-	-	14	14	14	14	15

PRODUCT NUMBER	MODULE 1						MODULE 2						
	1	2	3	4	5	6	7	8	9	10	11	12	
1F11048*-P071S*---	D	13	12	12	12	12	12	13	13	13	12	14	14
	C	13	12	12	11	12	12	13	13	13	12	14	14
	B	13	12	12	12	12	12	13	13	13	12	14	14
	A	13	12	12	12	12	12	13	13	13	12	14	14

PIN CODE	DIMENSIONS	
	DIM.T	DIM.M
11	4.30	5.00
12	4.30	5.75
13	4.30	6.50
14	4.30	7.25
15	4.30	8.00

PRODUCT NUMBER	MODULE 1						MODULE 2					
	1	2	3	4	5	6	7	8	9	10	11	12
1F11048*-P021S*---	D	12	12	12	12	12	14	12	12	12	12	12
	C	12	12	12	12	12	14	12	12	12	12	12
	B	12	12	12	12	12	14	12	12	12	12	12
	A	12	12	12	12	12	14	12	12	12	12	11

PRODUCT NUMBER	MODULE 1						MODULE 2					
	1	2	3	4	5	6	7	8	9	10	11	12
1F11048*-P081S*---	D	13	12	11	11	12	12	12	13	12	12	12
	C	13	12	11	11	12	12	11	12	13	12	12
	B	13	12	11	11	12	11	11	12	13	12	12
	A	13	12	11	11	12	11	12	12	13	12	12

PRODUCT NUMBER	MODULE 1						MODULE 2					
	1	2	3	4	5	6	7	8	9	10	11	12
1F11048*-P031S*---	D	12	12	12	12	12	12	13	13	12	14	14
	C	12	12	12	12	12	12	13	13	12	14	14
	B	12	12	12	12	12	12	13	13	12	14	14
	A	12	12	12	12	12	12	13	13	12	14	14

PRODUCT NUMBER	MODULE 1						MODULE 2					
	1	2	3	4	5	6	7	8	9	10	11	12
1F11048*-P091S*---	D	12	12	12	12	12	12	12	13	12	12	13
	C	12	12	12	12	12	12	12	13	12	12	13
	B	12	12	12	12	12	12	12	13	12	12	13
	A	12	12	12	12	12	12	12	13	12	12	13

PRODUCT NUMBER	MODULE 1						MODULE 2					
	1	2	3	4	5	6	7	8	9	10	11	12
1F11048*-P0D1S*---	D	12	12	12	12	12	12	12	12	12	12	13
	C	12	12	12	12	12	12	12	12	12	12	13
	B	12	12	12	12	12	12	12	12	12	12	13
	A	12	12	12	12	12	12	12	12	12	12	13

PRODUCT NUMBER	MODULE 1						MODULE 2						
	1	2	3	4	5	6	7	8	9	10	11	12	
1F11048*-P041S*---	D	13	12	13	12	13	13	13	13	12	13	12	12
	C	13	12	13	12	13	13	13	13	12	13	12	12
	B	13	12	13	12	13	13	13	13	12	13	12	12
	A	13	12	13	12	13	13	13	13	12	13	12	12

PRODUCT NUMBER	MODULE 1						MODULE 2					
	1	2	3	4	5	6	7	8	9	10	11	12
1F11048*-P0A1S*---	D	11	11	11	13	13	13	13	13	13	13	13
	C	11	11	11	13	13	13	13	13	13	13	13
	B	11	11	11	13	13	13	13	13	13	13	13
	A	11	11	11	13	13	13	13	13	13	13	13

PRODUCT NUMBER	MODULE 1						MODULE 2						
	1	2	3	4	5	6	7	8	9	10	11	12	
1F11048*-P051S*---	D	12	12	13	13	13	12	12	12	14	13	13	14
	C	12	12	13	13	13	12	12	12	14	13	13	14
	B	12	12	13	13	13	12	12	12	14	13	13	14
	A	12	12	13	13	13	12	12	12	14	13	13	14

PRODUCT NUMBER	MODULE 1						MODULE 2						
	1	2	3	4	5	6	7	8	9	10	11	12	
1F11048*-P0B1S*---	D	12	12	12	12	12	12	12	12	11	11	13	12
	C	12	12	12	12	12	12	12	12	11	11	13	12
	B	12	12	12	12	12	12	12	12	11	11	13	12
	A	12	12	12	12	12	12	12	12	11	11	13	12

PRODUCT NUMBER	MODULE 1						MODULE 2						
	1	2	3	4	5	6	7	8	9	10	11	12	
1F11048*-P061S*---	D	13	12	12	12	13	13	12	14	13	13	14	14
	C	13	12	12	12	13	13	12	14	13	13	14	14
	B	13	12	12	12	13	13	12	14	13	13	14	14
	A	13	12	12	12	13	13	12	14	13	13	14	14

PRODUCT NUMBER	MODULE 1						MODULE 2						
	1	2	3	4	5	6	7	8	9	10	11	12	
1F11048*-P0C1S*---	D	12	12	12	12	13	12	12	13	12	12	12	12
	C	12	12	12	12	13	12	12	13	12	12	12	12
	B	12	12	12	12	13	12	12	13	12	11	12	12
	A	12	12	12	12	13	12	12	13	12	12	12	12

X.±	X.°±	UNITS	mm	NAME (INTENDED USE) FUTURE BUS HEADER CONNECTOR	FOXCONN HON HAI PRECISION IND. CO., LTD. TAIPEI, TAIWAN, R.O.C.
.X± N/A	.XX°±	MAT'L			
.XX± N/A	.XXX°±	FINISH		PART NO. (INTENDED USE) 1F11048*-P**1S*---	TITLE: CUSTOMER DRAWING PRESS FIT SIGNAL TYPE W/ SELECTIVE PIN
.XXX±	.XXX°±				
THESE DRAWINGS AND SPECIFICATIONS ARE THE PROPERTY OF HON HAI PRECISION IND. CO., LTD. AND SHALL NOT BE REPRODUCED, COPIED OR USED IN ANY MANNER WITHOUT THE PRIOR WRITTEN CONSENT OF HON HAI PRECISION IND. CO., LTD.				APPD: JOHN CHOW 10/21/06	DWG NO.: 343-0000-1108
				Q'TY	CHKD: CAMVANG 10/20/06
				DR: ARES HUANG 10/18/06	SCALE SHEET REV. N/A 2/2 E