

**SPECIFICATIONS**

**Mechanical**

**Contact Retention Force:** 1.00Kg min.

**Electrical**

**Voltage Rating:** 750V

**Current Rating:** 1A

**Contact Resistance:** 45mΩ max.

**Dielectrical Withstanding Voltage:** 1000V

**Insulation Resistance:** 1000MΩ min.

**Physical**

**Housing:** LCP, UL 94-0 rated, Ivory White

**Contact:** Phosphor Bronze

**Plating:** See "ORDERING INFORMATION"

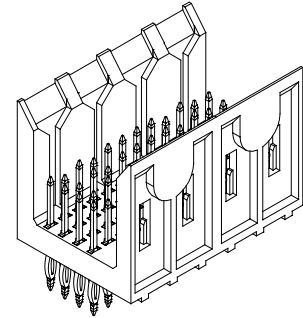
**FUTURE BUS CONNECTOR**

**1F Series**

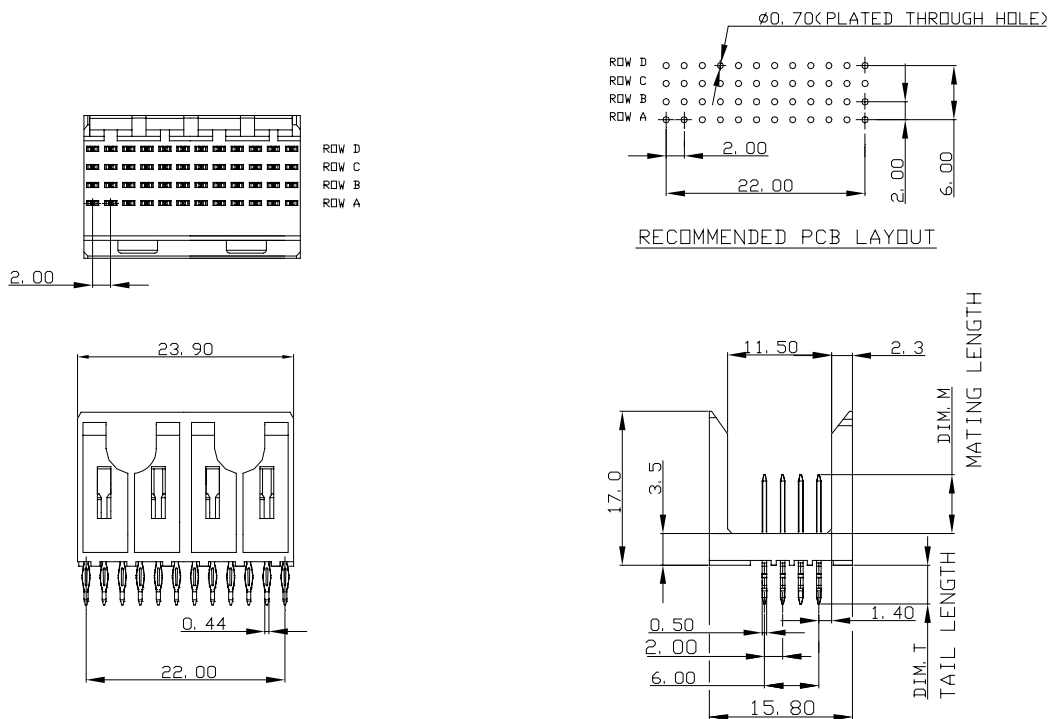
**Plug, Press Fit Type**

**2.0mm Pitch**

**4 Rows**



**DRAWING**



**ORDERING INFORMATION**

**PRODUCT NO.:** 1 F 1 1 0 4 8 \* - P \*\* 1 S \* - \*\*

- POS. NO.:** 048=048 pos.
- Mating Area Plating:**
  - 1=GOLD FLASH
  - 3=0.76um(30u")MIN. GOLD PLATING
  - 5=1.27um(50u")MIN. GOLD PLATING
  - 6=0.25um(10u")MIN. GOLD PLATING
  - A=0.76um(30u")MIN. FPT PLATING, 0.25um(10u")MIN. GOLD INCLUDED
- Tail Style:** P=Press Fit
- Lead Free Code:**
  - N=None
  - F=Lead Free
- Package Type:** A=Tube
- Extension Code:** N,T,L,M
- BODY STYLE**
- Selective Pin Pattern** (Detail Please Refer To Customer Drawing)