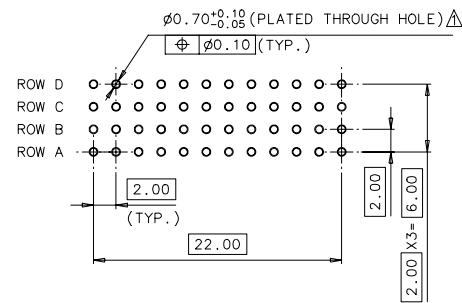
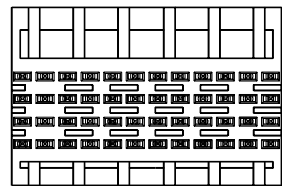
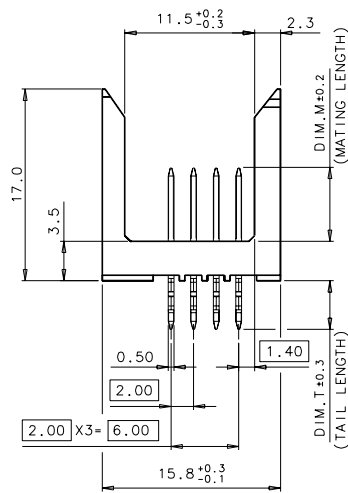
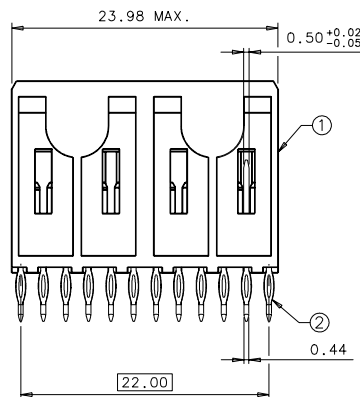
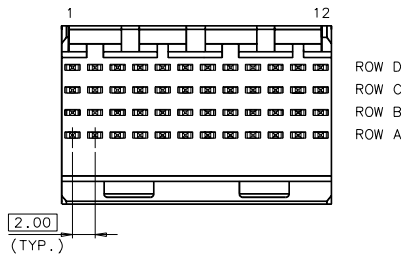


IDEAS GENERATED DRAWING DON'T CHANGE BY HAND.

| REV. | ECN. NO.   | APPD.     |
|------|------------|-----------|
| A    | BC05745321 | JOHN CHOW |
| B    | BC06700784 | JOHN CHOW |
| C    | BC06732078 | JOHN CHOW |
| D    | BC06747610 | JOHN CHOW |
| E    | BC06764707 | JOHN CHOW |



RECOMMENDED PCB LAYOUT  
(COMPONENT SIDE)

NOTES: UNLESS OTHERWISE SPECIFIED.

- △ PRESS FIT HOLES:
- 1) HOLE DIAMETER AFTER PLATING: 0.65~0.80mm.
  - 2) DRILLED HOLE: 0.81~0.86mm.
  - 3) COPPER PLATING: 0.025mm MIN.
  - 4) TIN-LEAD OR LEAD FREE PLATING: 0.005~0.015mm.
2. ELECTRICAL CHARACTERISTICS:
- 1) CURRENT RATING: 1A MAX. PER CONTACT WITH ALL CONTACTS ENERGIZED.
  - 2) DIELECTRIC WITHSTANDING VOLTAGE: 1000 V A.C.
3. MECHANICAL CHARACTERISTICS:
- 1) THE PRESS FIT INSERTION FORCE TO BE 100 N MAX. PER PIN AND THE WITHDRAWAL FORCE TO BE 20 N MIN. PER PIN.
  - 2) THE MATING FORCE OF HEADER & REC. TO BE 0.45 N MAX. PER PIN AND THE UNMATING FORCE TO BE 0.15 N MIN. PER PIN.
4. DESIGNED TO CONFORM WITH IEC 61076-4-104.

PART LIST

|             |                                     |                        |
|-------------|-------------------------------------|------------------------|
| POS. NO.    | 1 F 1 1 0 4 8 * - P * * 1 S * - * * | LEAD FREE CODE         |
| 048: 48POS. |                                     | N: NONE                |
|             |                                     | F: LEAD FREE PLATING   |
|             |                                     | PACKAGE TYPE           |
|             |                                     | A: TUBE                |
|             |                                     | EXTENSION CODE         |
|             |                                     | N, T, L, M, A, B, C, D |
|             |                                     | BODY STYLE             |
|             |                                     | SELECTIVE PIN PATTERN  |
|             |                                     | (DETAIL SEE NEXT PAGE) |
|             |                                     | TAIL STYLE             |
|             |                                     | P: PRESS FIT TYPE      |

PLATING SPEC.

1: GOLD FLASH

3: 0.76um(30u\*)MIN. GOLD PLATING

5: 1.27um(50u\*)MIN. GOLD PLATING

6: 0.25um(10u\*)MIN. GOLD PLATING

A: 0.76um(30u\*)MIN. FPT PLATING

0.25um(10u\*)MIN. GOLD INCLUDED.

B: 0.76um(30u\*)MIN. FPT PLATING

0.25um(10u\*)MIN. GOLD INCLUDED.

C: 1.27um(50u\*)MIN. FPT PLATING

0.50um(20u\*)MIN. GOLD INCLUDED.

D: 1.27um(50u\*)MIN. FPT PLATING

0.25um(10u\*)MIN. GOLD INCLUDED.

|  |             |                 |  |
|--|-------------|-----------------|--|
| 2  | CONTACT     | PHOSPHOR BRONZE | 1) 2.54um(100u*)MIN. NICKEL UNDERPLATING.<br>2) 0.76um(30u*)MIN. TIN LEAD OR LEAD FREE PLATING ON PRESS FIT AREA.<br>3) PLATING SPEC. OF MATING AREA, DETAIL REFER TO PART LIST. |
| 1  | HOUSING     | LCP             | IVORY WHITE, UL 94V-0  |
| ITEM   | DESCRIPTION | MATERIAL        | TREATMENT  |
| X. ±   | X. ±        | UNITS mm        | NAME (INTENDED USE)  |
| .X ± 0.20  | .X ±        | MAT'L           | FUTURE BUS HEADER CONNECTOR  |
| .XX ± 0.10   | .XX ±       | N/A             | PART NO. (INTENDED USE)  |
| .XXX ±   | .XXX ±      | FINISH          | 1F11048*-P**1S*-**   |
|  |             | N/A             | TITLE: CUSTOMER DRAWING<br>PRESS FIT SIGNAL TYPE<br>W/ SELECTIVE PIN   |
| THESE DRAWINGS AND SPECIFICATIONS ARE THE PROPERTY OF HON HAI PRECISION IND. CO., LTD. AND SHALL NOT BE REPRODUCED, COPIED OR USED IN ANY MANNER WITHOUT THE PRIOR WRITTEN CONSENT OF HON HAI PRECISION IND. CO., LTD. |             |                 | APPD: JOHN CHOW 10/21'06   |
| Q'TY   |             |                 | CHKD: CAMVARD 10/20'06   |
|  |             |                 | DR: ARES HUANG 10/18'06  |
|  |             |                 | DWG NO.: 343-0000-1108   |
|  |             |                 | SCALE SHEET REV.   |
|  |             |                 | N/A 1/2 E  |

A  
B  
C  
D  
E  
F  
G

| PRODUCT NUMBER     | MODULE 1 |    |    |    |    |    | MODULE 2 |    |    |    |    |    |
|--------------------|----------|----|----|----|----|----|----------|----|----|----|----|----|
|                    | 1        | 2  | 3  | 4  | 5  | 6  | 7        | 8  | 9  | 10 | 11 | 12 |
| 1F11048*-P011S*--- | D        | -  | -  | 12 | 12 | -  | -        | 12 | 12 | 12 | 12 | 12 |
|                    | C        | 12 | 12 | 12 | 12 | 12 | 12       | 12 | 12 | 12 | 12 | 12 |
|                    | B        | 12 | 12 | 12 | 12 | 12 | 12       | 12 | 12 | 12 | 12 | 12 |
|                    | A        | -  | -  | -  | -  | -  | 14       | 14 | 14 | 14 | 15 | 15 |

| PRODUCT NUMBER     | MODULE 1 |    |    |    |    |    | MODULE 2 |    |    |    |    |    |    |
|--------------------|----------|----|----|----|----|----|----------|----|----|----|----|----|----|
|                    | 1        | 2  | 3  | 4  | 5  | 6  | 7        | 8  | 9  | 10 | 11 | 12 |    |
| 1F11048*-P071S*--- | D        | 13 | 12 | 12 | 12 | 12 | 12       | 13 | 13 | 13 | 12 | 14 | 14 |
|                    | C        | 13 | 12 | 12 | 11 | 12 | 12       | 13 | 13 | 13 | 12 | 14 | 14 |
|                    | B        | 13 | 12 | 12 | 12 | 12 | 12       | 13 | 13 | 13 | 12 | 14 | 14 |
|                    | A        | 13 | 12 | 12 | 12 | 12 | 12       | 13 | 13 | 13 | 12 | 14 | 14 |

| PIN CODE | DIMENSIONS |       |
|----------|------------|-------|
|          | DIM.T      | DIM.M |
| 11       | 4.30       | 5.00  |
| 12       | 4.30       | 5.75  |
| 13       | 4.30       | 6.50  |
| 14       | 4.30       | 7.25  |
| 15       | 4.30       | 8.00  |

| PRODUCT NUMBER     | MODULE 1 |    |    |    |    |    | MODULE 2 |    |    |    |    |    |
|--------------------|----------|----|----|----|----|----|----------|----|----|----|----|----|
|                    | 1        | 2  | 3  | 4  | 5  | 6  | 7        | 8  | 9  | 10 | 11 | 12 |
| 1F11048*-P021S*--- | D        | 12 | 12 | 12 | 12 | 12 | 14       | 12 | 12 | 12 | 12 | 12 |
|                    | C        | 12 | 12 | 12 | 12 | 12 | 14       | 12 | 12 | 12 | 12 | 12 |
|                    | B        | 12 | 12 | 12 | 12 | 12 | 14       | 12 | 12 | 12 | 12 | 12 |
|                    | A        | 12 | 12 | 12 | 12 | 12 | 14       | 12 | 12 | 12 | 12 | 11 |

| PRODUCT NUMBER     | MODULE 1 |    |    |    |    |    | MODULE 2 |    |    |    |    |    |
|--------------------|----------|----|----|----|----|----|----------|----|----|----|----|----|
|                    | 1        | 2  | 3  | 4  | 5  | 6  | 7        | 8  | 9  | 10 | 11 | 12 |
| 1F11048*-P081S*--- | D        | 13 | 12 | 11 | 11 | 12 | 12       | 12 | 13 | 12 | 12 | 12 |
|                    | C        | 13 | 12 | 11 | 11 | 12 | 12       | 11 | 12 | 13 | 12 | 12 |
|                    | B        | 13 | 12 | 11 | 11 | 12 | 11       | 11 | 12 | 13 | 12 | 12 |
|                    | A        | 13 | 12 | 11 | 11 | 12 | 11       | 12 | 12 | 13 | 12 | 12 |

| PRODUCT NUMBER     | MODULE 1 |    |    |    |    |    | MODULE 2 |    |    |    |    |    |
|--------------------|----------|----|----|----|----|----|----------|----|----|----|----|----|
|                    | 1        | 2  | 3  | 4  | 5  | 6  | 7        | 8  | 9  | 10 | 11 | 12 |
| 1F11048*-P031S*--- | D        | 12 | 12 | 12 | 12 | 12 | 12       | 13 | 13 | 12 | 14 | 14 |
|                    | C        | 12 | 12 | 12 | 12 | 12 | 12       | 13 | 13 | 12 | 14 | 14 |
|                    | B        | 12 | 12 | 12 | 12 | 12 | 12       | 13 | 13 | 12 | 14 | 14 |
|                    | A        | 12 | 12 | 12 | 12 | 12 | 12       | 13 | 13 | 12 | 14 | 14 |

| PRODUCT NUMBER     | MODULE 1 |    |    |    |    |    | MODULE 2 |    |    |    |    |    |
|--------------------|----------|----|----|----|----|----|----------|----|----|----|----|----|
|                    | 1        | 2  | 3  | 4  | 5  | 6  | 7        | 8  | 9  | 10 | 11 | 12 |
| 1F11048*-P091S*--- | D        | 12 | 12 | 12 | 12 | 12 | 12       | 12 | 13 | 12 | 12 | 13 |
|                    | C        | 12 | 12 | 12 | 12 | 12 | 12       | 12 | 13 | 12 | 12 | 13 |
|                    | B        | 12 | 12 | 12 | 12 | 12 | 12       | 12 | 13 | 12 | 12 | 13 |
|                    | A        | 12 | 12 | 12 | 12 | 12 | 12       | 12 | 13 | 12 | 12 | 13 |

| PRODUCT NUMBER     | MODULE 1 |    |    |    |    |    | MODULE 2 |    |    |    |    |    |
|--------------------|----------|----|----|----|----|----|----------|----|----|----|----|----|
|                    | 1        | 2  | 3  | 4  | 5  | 6  | 7        | 8  | 9  | 10 | 11 | 12 |
| 1F11048*-P0D1S*--- | D        | 12 | 12 | 12 | 12 | 12 | 12       | 12 | 12 | 12 | 12 | 13 |
|                    | C        | 12 | 12 | 12 | 12 | 12 | 12       | 12 | 12 | 12 | 12 | 13 |
|                    | B        | 12 | 12 | 12 | 12 | 12 | 12       | 12 | 12 | 12 | 12 | 13 |
|                    | A        | 12 | 12 | 12 | 12 | 12 | 12       | 12 | 12 | 12 | 12 | 13 |

| PRODUCT NUMBER     | MODULE 1 |    |    |    |    |    | MODULE 2 |    |    |    |    |    |    |
|--------------------|----------|----|----|----|----|----|----------|----|----|----|----|----|----|
|                    | 1        | 2  | 3  | 4  | 5  | 6  | 7        | 8  | 9  | 10 | 11 | 12 |    |
| 1F11048*-P041S*--- | D        | 13 | 12 | 13 | 12 | 13 | 13       | 13 | 13 | 12 | 13 | 12 | 12 |
|                    | C        | 13 | 12 | 13 | 12 | 13 | 13       | 13 | 13 | 12 | 13 | 12 | 12 |
|                    | B        | 13 | 12 | 13 | 12 | 13 | 13       | 13 | 13 | 12 | 13 | 12 | 12 |
|                    | A        | 13 | 12 | 13 | 12 | 13 | 13       | 13 | 13 | 12 | 13 | 12 | 12 |

| PRODUCT NUMBER     | MODULE 1 |    |    |    |    |    | MODULE 2 |    |    |    |    |    |
|--------------------|----------|----|----|----|----|----|----------|----|----|----|----|----|
|                    | 1        | 2  | 3  | 4  | 5  | 6  | 7        | 8  | 9  | 10 | 11 | 12 |
| 1F11048*-P0A1S*--- | D        | 11 | 11 | 11 | 13 | 13 | 13       | 13 | 13 | 13 | 13 | 13 |
|                    | C        | 11 | 11 | 11 | 13 | 13 | 13       | 13 | 13 | 13 | 13 | 13 |
|                    | B        | 11 | 11 | 11 | 13 | 13 | 13       | 13 | 13 | 13 | 13 | 13 |
|                    | A        | 11 | 11 | 11 | 13 | 13 | 13       | 13 | 13 | 13 | 13 | 13 |

| PRODUCT NUMBER     | MODULE 1 |    |    |    |    |    | MODULE 2 |    |    |    |    |    |    |
|--------------------|----------|----|----|----|----|----|----------|----|----|----|----|----|----|
|                    | 1        | 2  | 3  | 4  | 5  | 6  | 7        | 8  | 9  | 10 | 11 | 12 |    |
| 1F11048*-P051S*--- | D        | 12 | 12 | 13 | 13 | 13 | 12       | 12 | 12 | 14 | 13 | 13 | 14 |
|                    | C        | 12 | 12 | 13 | 13 | 13 | 12       | 12 | 12 | 14 | 13 | 13 | 14 |
|                    | B        | 12 | 12 | 13 | 13 | 13 | 12       | 12 | 12 | 14 | 13 | 13 | 14 |
|                    | A        | 12 | 12 | 13 | 13 | 13 | 12       | 12 | 12 | 14 | 13 | 13 | 14 |

| PRODUCT NUMBER     | MODULE 1 |    |    |    |    |    | MODULE 2 |    |    |    |    |    |    |
|--------------------|----------|----|----|----|----|----|----------|----|----|----|----|----|----|
|                    | 1        | 2  | 3  | 4  | 5  | 6  | 7        | 8  | 9  | 10 | 11 | 12 |    |
| 1F11048*-P0B1S*--- | D        | 12 | 12 | 12 | 12 | 12 | 12       | 12 | 12 | 11 | 11 | 13 | 12 |
|                    | C        | 12 | 12 | 12 | 12 | 12 | 12       | 12 | 12 | 11 | 11 | 13 | 12 |
|                    | B        | 12 | 12 | 12 | 12 | 12 | 12       | 12 | 12 | 11 | 11 | 13 | 12 |
|                    | A        | 12 | 12 | 12 | 12 | 12 | 12       | 12 | 12 | 11 | 11 | 13 | 12 |

| PRODUCT NUMBER     | MODULE 1 |    |    |    |    |    | MODULE 2 |    |    |    |    |    |    |
|--------------------|----------|----|----|----|----|----|----------|----|----|----|----|----|----|
|                    | 1        | 2  | 3  | 4  | 5  | 6  | 7        | 8  | 9  | 10 | 11 | 12 |    |
| 1F11048*-P061S*--- | D        | 13 | 12 | 12 | 12 | 13 | 13       | 12 | 14 | 13 | 13 | 14 | 14 |
|                    | C        | 13 | 12 | 12 | 12 | 13 | 13       | 12 | 14 | 13 | 13 | 14 | 14 |
|                    | B        | 13 | 12 | 12 | 12 | 13 | 13       | 12 | 14 | 13 | 13 | 14 | 14 |
|                    | A        | 13 | 12 | 12 | 12 | 13 | 13       | 12 | 14 | 13 | 13 | 14 | 14 |

| PRODUCT NUMBER     | MODULE 1 |    |    |    |    |    | MODULE 2 |    |    |    |    |    |    |
|--------------------|----------|----|----|----|----|----|----------|----|----|----|----|----|----|
|                    | 1        | 2  | 3  | 4  | 5  | 6  | 7        | 8  | 9  | 10 | 11 | 12 |    |
| 1F11048*-P0C1S*--- | D        | 12 | 12 | 12 | 12 | 13 | 12       | 12 | 13 | 12 | 12 | 12 | 12 |
|                    | C        | 12 | 12 | 12 | 12 | 13 | 12       | 12 | 13 | 12 | 12 | 12 | 12 |
|                    | B        | 12 | 12 | 12 | 12 | 13 | 12       | 12 | 13 | 12 | 11 | 12 | 12 |
|                    | A        | 12 | 12 | 12 | 12 | 13 | 12       | 12 | 13 | 12 | 12 | 12 | 12 |

|  |        |        |    |   |  |                         |
|--|--------|--------|----|---|--|-------------------------|
| X.±  | X.°±   | UNITS  | mm | NAME (INTENDED USE)<br>FUTURE BUS<br>HEADER CONNECTOR | <b>FOXCONN</b><br>HON HAI PRECISION IND. CO., LTD.<br>TAIPEI, TAIWAN, R.O.C. |                         |
| .X± N/A  | .XX°±  | MAT'L  |    |   |  |                         |
| .XX± N/A   | .XXX°± | FINISH |    | PART NO. (INTENDED USE)<br>1F11048*-P**1S*---         | TITLE: CUSTOMER DRAWING<br>PRESS FIT SIGNAL TYPE<br>W/ SELECTIVE PIN         |                         |
| .XXX±  | .XXX°± |        |    |   |  |                         |
| THESE DRAWINGS AND SPECIFICATIONS ARE THE PROPERTY OF HON HAI PRECISION IND. CO., LTD. AND SHALL NOT BE REPRODUCED, COPIED OR USED IN ANY MANNER WITHOUT THE PRIOR WRITTEN CONSENT OF HON HAI PRECISION IND. CO., LTD. |        |        |    | APPD: JOHN CHOW 10/21/06                              | DWG NO.: 343-0000-1108   |                         |
|  |        |        |    | Q'TY  | CHKD: CAMVANG 10/20/06   | DR: ARES HUANG 10/18/06 |
|  |        |        |    | N/A   | 2/2  | E                       |