

SPECIFICATIONS

Mechanical

Operating Force & Cycle Life: 180±50gf 50000 Cycles.
250±80gf 30000 Cycles

Travel: 0.25+0.2/-0.1mm

Electrical

Rating: 50mA, 12V DC.

Contact Resistance: 500m max.

Insulation Resistance: 100M min. at DC 100V

Dielectric Withstanding Voltage: 250V AC for 1 Minute

Physical

Operating Temperatures and Humidity Range:

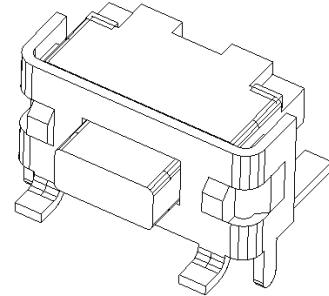
-20 to +70 ,85% RH MAX.

Package: 1500Pcs/Reel

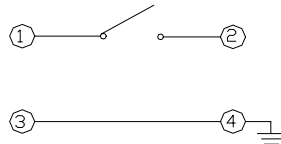
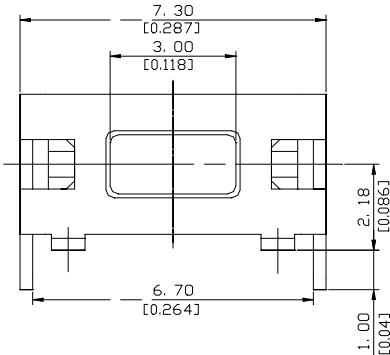
Tact Switch

1BT008

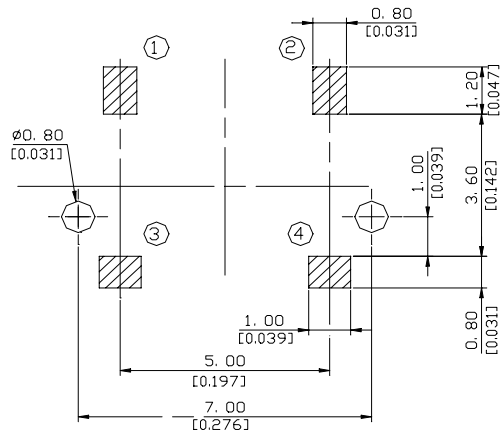
**Right Angle,
SMT Type**



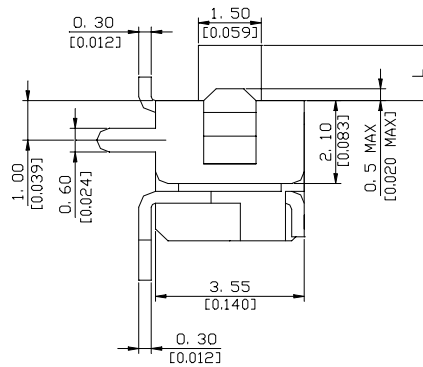
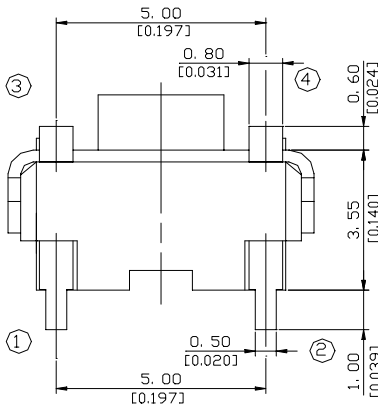
DRAWING



CIRCUIT SCHEMATIC

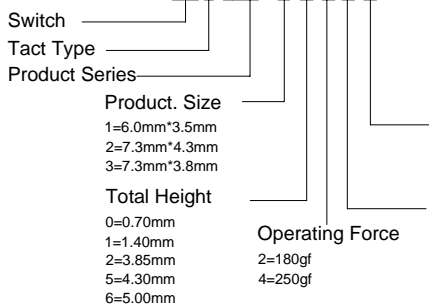


RECOMMENDED P. C. B. LAYOUT



ORDERING INFORMATION

PRODUCT NO.: 1BT008-****



| | | |
|--------------|-----------------|--------------|
| 1BT008-3640* | 250±80gf | 5.00 [0.197] |
| 1BT008-3540* | 250±80gf | 4.30 [0.169] |
| 1BT008-3240* | 250±80gf | 3.85 [0.152] |
| 1BT008-3140* | 250±80gf | 1.40 [0.055] |
| 1BT008-3040* | 250±80gf | 0.70 [0.028] |
| 1BT008-3620* | 180±50gf | 5.00 [0.197] |
| 1BT008-3520* | 180±50gf | 4.30 [0.169] |
| 1BT008-3220* | 180±50gf | 3.85 [0.152] |
| 1BT008-3120* | 180±50gf | 1.40 [0.055] |
| 1BT008-3020* | 180±50gf | 0.70 [0.028] |
| P/N | OPERATING FORCE | DIM. A |