

SPECIFICATIONS

Mechanical

Operating Force & Cycle Life: 180±50gf 50000 Cycles.
250±80gf 30000 Cycles

Travel: 0.25+0.2/-0.1mm

Electrical

Rating: 50mA, 12V DC.

Contact Resistance: 500m max.

Insulation Resistance: 100M min. at DC 100V

Dielectric Withstanding Voltage: 250V AC for 1 Minute

Physical

Operating Temperatures and Humidity Range:

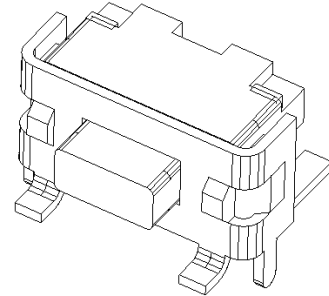
-20 to +70 ,85% RH MAX.

Package: 1500Pcs/Reel

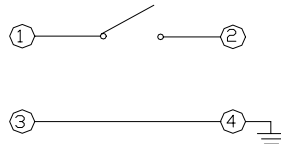
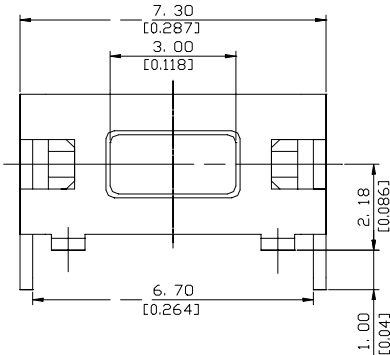
Tact Switch

1BT008

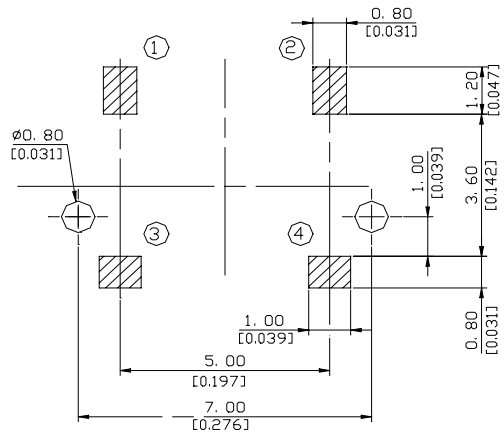
**Right Angle,
SMT Type**



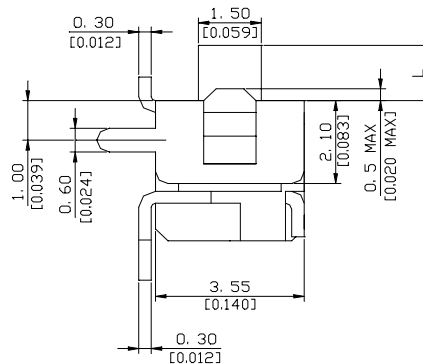
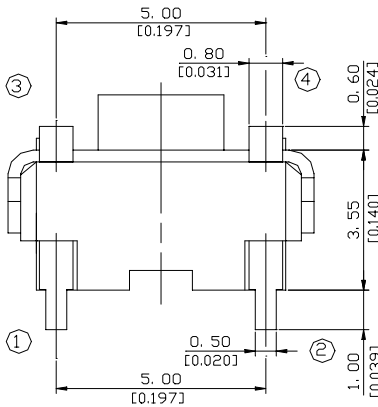
DRAWING



CIRCUIT SCHEMATIC

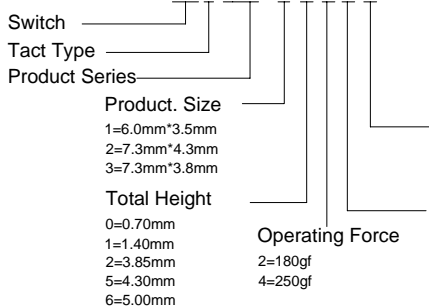


RECOMMENDED P. C. B. LAYOUT



ORDERING INFORMATION

PRODUCT NO.: 1BT008-****



1BT008-3640*	250±80gf	5.00 [0.197]
1BT008-3540*	250±80gf	4.30 [0.169]
1BT008-3240*	250±80gf	3.85 [0.152]
1BT008-3140*	250±80gf	1.40 [0.055]
1BT008-3040*	250±80gf	0.70 [0.028]
1BT008-3620*	180±50gf	5.00 [0.197]
1BT008-3520*	180±50gf	4.30 [0.169]
1BT008-3220*	180±50gf	3.85 [0.152]
1BT008-3120*	180±50gf	1.40 [0.055]
1BT008-3020*	180±50gf	0.70 [0.028]
P/N	OPERATING FORCE	DIM. A