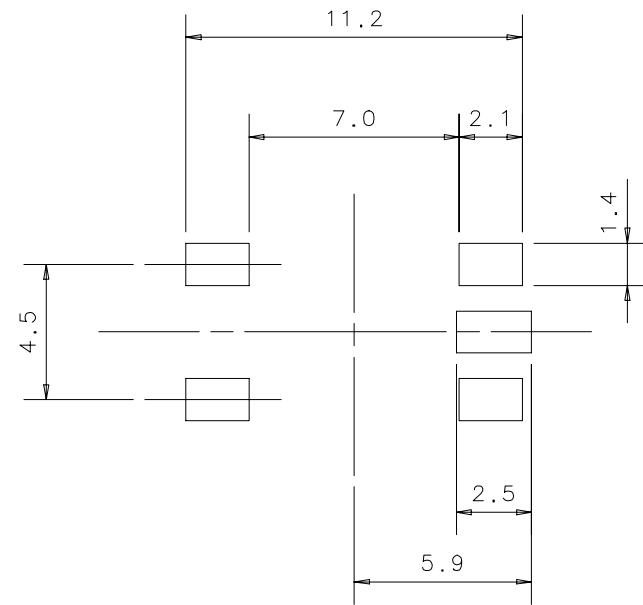
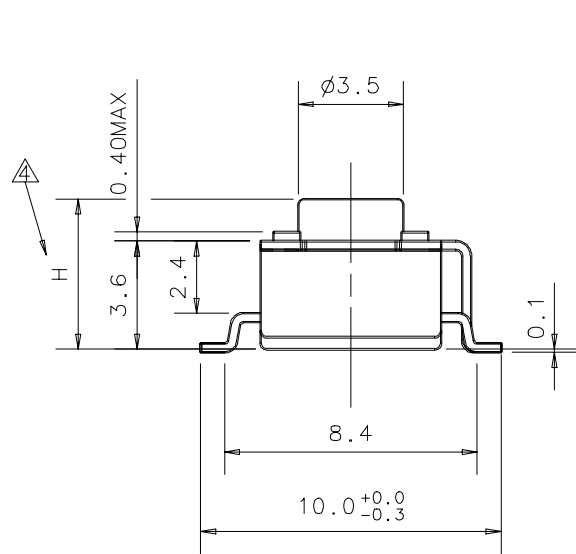
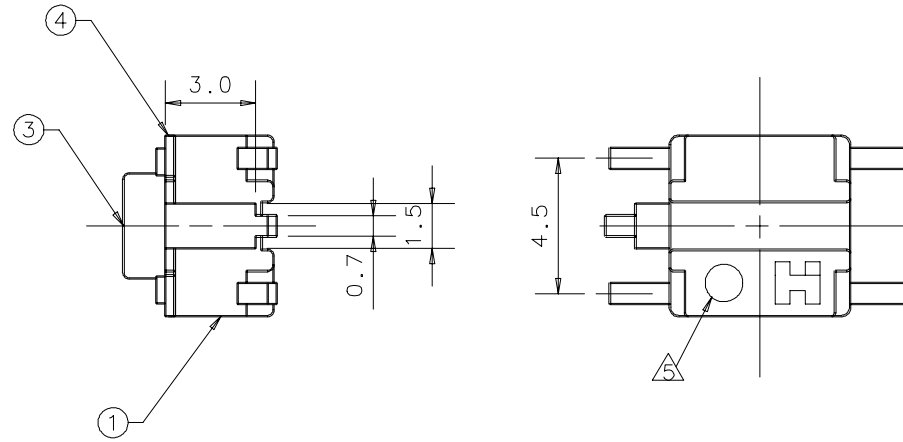
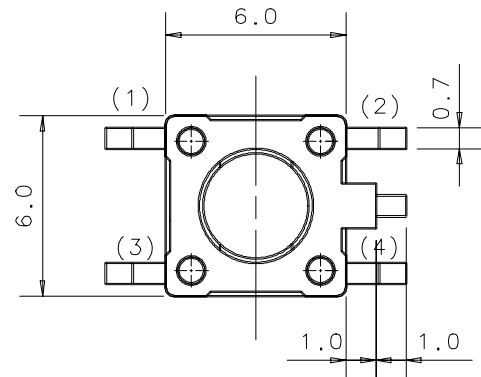
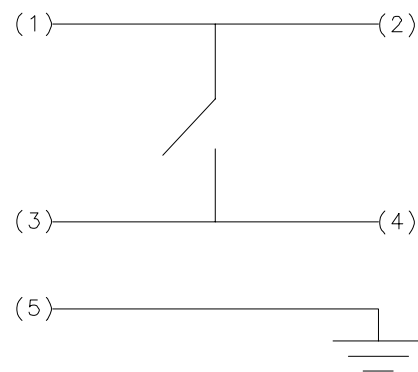


IDEAS GENERATED DRAWING, DON'T CHANGE BY HAND.

REV.	ECN. NO.	APPD.
A	HC-03-3092	J.S.Liou
B	HC-04-1705	N.Hasegawa



RECOMMENDED PCB LAYOUT



CIRCUIT DIAGRAM

NOTES:

- △ MATERIAL:  
1/M HOUSING: THERMOPLASTIC, COPPER ALLOY.  
DOME: STAINLESS STEEL.  
KNOB: THERMOPLASTIC.  
TOP COVER: SPTE.
- 2. SPECIFICATION:  
OPERATION FORCE: 260±80gf, 160±50gf, 100±30gf.  
LLCR: 100 mohms MAX.  
INSULATION RESISTANCE: 100 Mohms MIN.  
BOUNCE: 10 ms MAX.
- 3. TRAVEL: 0.25+0.2/-0.1mm  
LIFE CYCLES: SEE NOTES △
- △ P/N LIST:  
LEAD-FREE P/N: 1BT003-2\*\*0L-001.

P/N	TOTAL HEIGHT (H)	OPERATION FORCE	LIFE CYCLES
1BT003-25100-001	4.3mm	100gf	1,000,000 TIMES
1BT003-25200-001	4.3mm	160gf	1,000,000 TIMES
1BT003-25300-001	4.3mm	260gf	100,000 TIMES
1BT003-26100-001	5.0mm	100gf	1,000,000 TIMES
1BT003-26200-001	5.0mm	160gf	1,000,000 TIMES
1BT003-26300-001	5.0mm	260gf	100,000 TIMES
1BT003-27100-001	7.0mm	100gf	1,000,000 TIMES
1BT003-27200-001	7.0mm	160gf	1,000,000 TIMES
1BT003-27300-001	7.0mm	260gf	100,000 TIMES
1BT003-2510L-001	4.3mm	100gf	1,000,000 TIMES
1BT003-2520L-001	4.3mm	160gf	1,000,000 TIMES
1BT003-2530L-001	4.3mm	260gf	100,000 TIMES
1BT003-2610L-001	5.0mm	100gf	1,000,000 TIMES
1BT003-2620L-001	5.0mm	160gf	1,000,000 TIMES
1BT003-2630L-001	5.0mm	260gf	100,000 TIMES
1BT003-2710L-001	7.0mm	100gf	1,000,000 TIMES
1BT003-2720L-001	7.0mm	160gf	1,000,000 TIMES
1BT003-2730L-001	7.0mm	260gf	100,000 TIMES

△ THE CAVITY NUMBER IS LOCATED APPROXIMATELY AS SHOWN.

X. ± 0.30	X. ° ± 1°	UNITS mm	NAME (INTENDED USE)	<b>FOXCONN</b> HON HAI PRECISION IND. CO., LTD. TAIPEI, TAIWAN, R.O.C.
.X ± 0.20	.X ° ±	MAT'L	SMT W/G TYPE TACT SWITCH	
.XX ± 0.10	.XX ° ±	FINISH -	PART NO. (INTENDED USE)	TITLE:
.XXX ±	.XXX ° ±		1BT003-2**0*-001	1BT003-2**0*-001
THESE DRAWINGS AND SPECIFICATIONS ARE THE PROPERTY OF HON HAI PRECISION IND. CO., LTD. AND SHALL NOT BE REPRODUCED, COPIED OR USED IN ANY MANNER WITHOUT THE PRIOR WRITTEN CONSENT OF HON HAI PRECISION IND. CO., LTD.			APPD: N.Hasegawa 03/13'04	DWG NO.:
			Q'TY	CHKD: Alex Wu 03/05'04
			DR: Vic Wang Mar.03'04	SCALE SHEET REV.
				4/1 1/1 B